



Catalogue 2022
Design & Architectural collections

Index

<i>pag.</i>			
14	Bic B07	40	MoMa mono-color Ø40,0 - Ø60,0
18	Bic B12	42	MoMa P mono-color Ø40,0 - Ø60,0
20	Brick	44	MoMa bi-color Ø40,0 - Ø60,0
24	Box	46	MoMa L/M bi-color Ø40,0 - Ø60,0
		48	MoMa P bi-color Ø40,0 - Ø60,0
26	Club C1 mono - color	50	MoMa W bi-color Ø40,0 - Ø60,0
28	Club C2 mono - color		
30	Club C3 mono - color	52	Nelly
		56	Nemo
90	Easy Pop P00 Ø3,0	60	Pop Bijou
91	Easy Pop P00 NaNo Ø3,0	80	Pop Bon Bon
107	Easy Pop P01 Bulb		
95	Easy Pop P01 Ø4,0	62	Pop C'est Moi
100	Easy Pop P01 Ø5,5	64	Pop C'est Toi
102	Easy Pop P01 NaNo Ø5,5	66	Pop Chapeau
114	Easy Pop P03 Ø8,0	68	Pop Chérie
115	Easy Pop P03 NaNo Ø8,0		
144	Easy Pop P04 Ø8,0	216	Pop Host bi-color Ø32,0
118	Easy Pop PX3 Ø10,0	220	Pop Host mono-color Ø32,0
119	Easy Pop PX3 NaNo Ø10,0	224	Pop Host L/M bi-color Ø32,0
124	Easy Pop PY3 Ø10,0	222	Pop Host T/N bi-color Ø32,0
125	Easy Pop PY3 NaNo Ø10,0	226	Pop Host W bi-color Ø32,0
130	Easy Pop PY3 Ø10,0 Glass	228	Pop Host bi-color Ø80,0
131	Easy Pop PY3 NaNo Ø10,0 Glass	230	Pop Host mono-color Ø80,0
135	Easy Pop PZ3 Ø10,0	232	Pop Host W bi-color Ø80,0
32	e-Pad 15	86	Pop P00 Ø3,0
34	e-Pad 30	89	Pop P00 NaNo Ø3,0
70-75	<i>Filo System:</i> Bijou - C'est Moi C'est Toi - Chérie Chapeau	104	Pop P01 Bulb
78	<i>Filo System</i> Pop Petit	94	Pop P01 Ø4,0
82-84	<i>Filo System</i> Bon Bon	96	Pop P01 Ø5,5
		98	Pop P01 NaNo Ø5,5
282	<i>Gun 2 A</i>	108	Pop P03 Ø6,0
285	<i>Gun 2 B</i>	109	Pop P03 NaNo Ø6,0
286	<i>Gun 2 C</i>	110	Pop P03 Ø8,0
		112	Pop P03 NaNo Ø8,0
36	J&J	136	Pop P03 Look Ø17,0
38	Jumbo	140	Pop P04 Ø8,0
		146	Pop P04 Ø12,0
22	micro - Box	150-152	Pop P04 Magic Ø3,0
		152	Pop P04K Magic Ø3,0
		154	Pop P06 mono-color Ø6,0
		158	Pop P06 bi-color Ø6,0
		156	Pop P07 mono-color Ø6,0
		160	Pop P07 bi-color Ø6,0
		164-167	Pop P07 Bulb
		172	Pop P07 Pull Ø12,5
		176	Pop P10
		182	Pop P12 Ø3,0
		178	Pop P12 D Ø3,0
		186	Pop P12 L Ø3,0
		184	Pop P12 T Ø3,0
		188	Pop P12 K Ø3,0
		193	Pop P12 Cup Ø3,0
		199	Pop P12 Cup Ø6,0
		203	Pop P12 Cup Ø12,0
		204	Pop P12 Polifemo PF1
		206	Pop P12 Polifemo PF3
		190	Pop P12 Ring Ø3,0
		196	Pop P12 Ring Ø6,0
		200	Pop P12 Ring Ø12,0
		194	Pop P12 W Ø3,0
		208	Pop P13 Ø7,0
		210	Pop P13 Ø12,5
		212	Pop P15 Ø3,0
		234	Pop P40 A Chandelier
		236	Pop P40 B Chandelier
		238	Pop P40 R Chandelier
		240	Pop P50 Pinocchio
		241	Pop P55 Pinocchio
		246-249	Pop P120 - P200
		242-245	Pop P122 - P202 Brooklyn
		76	Pop Petit
		116	Pop PX3 Ø10,0
		117	Pop PX3 NaNo Ø10,0
		162	Pop PX7 Ø11,2
		120	Pop PY3 Ø10,0
		123	Pop PY3 NaNo Ø10,0
		126	Pop PY3 Ø10,0 Glass
		129	Pop PY3 NaNo Ø10,0 Glass
		132	Pop PZ3 Ø10,0
		168	Pop Ring Pull Ø12,5
		250	Pop Up 1
		254	Pop Up 207
		256	Tim T124 - T196
		260	X1 A Ø7,0
		264	X1 B Ø8,5
		266	X2 A Ø7,0
		270	X2 B Ø8,5
		272	X3 A Ø7,0
		275	X3 B Ø8,5
		276	X4 A 7,0x7,0
		280	X4 B 8,5x8,5
		290	X5 B
		294-297	X7 R
		298-301	X7 C
		316	X-Dark 1
		308	X-Gun 1 Ø3,0
		310	X-Gun 2 Ø4,3
		312	X-Gun 3 Ø5,0
		314	X-Gun 4 Ø6,0
		318	X-Line
		302	X-Rail magnet track
		320	X-Rail Pendant/Sospensione
		324	X-Rail Accessories/Accessori
		326	X - Running

Recessed - Incasso



Bic B07 7x7 p.14



Pop P00 Ø3,0 p.86



Pop P00 NaNo Ø3,0 p.89



Easy Pop P00 Ø3,0 p.90



Easy Pop P00 NaNo Ø3,0 p.91



Bic B12 12x12 p.18



Pop P01 Ø4,0 p.94



Easy Pop P01 Ø4,0 p.95



Pop P01 Ø5,5 p.96



Pop P01 NaNo Ø5,5 p.98



Easy Pop P01 Ø5,5 p.100



Easy Pop P01 NaNo Ø5,5 p.102



Pop P01 Bulb p.104



Easy Pop P01 Bulb p.107



Pop P03/P03 NaNo Ø6,0 p.108



Pop P03 Ø8,0 p.110



Pop P03 NaNo Ø8,0 p.112



Easy Pop P03 Ø8,0 p.114



Easy Pop P03 NaNo Ø8,0 p.115



Pop PX3 Ø10,0 p.116



Pop PX3 NaNo Ø10,0 p.117



Easy Pop PX3 Ø10,0 p.118



Easy Pop PX3 NaNo Ø10,0 p.119



Pop PY3 Ø10,0 p.120



Pop PY3 Ø10,0 Glass p.126



Easy Pop PY3 Ø10,0 p.124



Easy Pop PY3 Ø10,0 Glass p.130



X1A Ø7,0 p.260



X1B Ø8,5 p.264



Pop P03 Look Ø17,0 p.136



Pop PZ3 Ø10,0 p.132



Easy Pop PZ3 Ø10,0 p.135



X2A Ø7,0 p.266



X2B Ø8,5 p.270



Pop P04 Ø12,0 p.146



Pop P04 Ø8,0 p.140



Easy Pop P04 Ø8,0 p.144



Gun 2A Ø 4,3 p.282



X3A Ø7,0 p.272



X3B Ø8,5 p.275



Pop P04 Magic Ø12,0 p.150



Pop P10 p.176



Pop Ring Pull Ø12,5 p.168



Gun 2B Ø 4,3 p.285



X4A 7x7 p.276



X4B 8,5x8,5 p.280



Pop P12 Ø3,0 p.182



Pop P12/T Ø3,0 p.184



X5B 16,5x4,5 p.290



Pop P12 Ring Ø3,0 p.190



Pop P12 Ring Ø6,0 p.196



Pop P12 Ring Ø12,0 p.200



Pop P12L Ø3,0 p.186

Wall - Parete



Brick p.20



Micro Box p.22



Box p.24



e-Pad Led p.32



Pop P07 Bulb p.164



Pop P12/D Ø3,0 p.178



Pop P12/W Ø3,0 p.194



Gun 2W Ø 4,3 p.288



Pop P12 Cup Ø3,0 p.193



Pop P12 Cup Ø6,0 p.199



Pop P12 Cup Ø12,0 p.203



Pop P13 Ø7,0 p.208



Pop P13 Ø12,5 p.210



MoMa P mono-color p.42



MoMa P bi-color p.48



Nelly p.52



Nemo p.56



Pop Host W Ø32,0 p.226



Pop Up1 Ø2,4 p.250



MoMa L/M p.46



Pop Host T/N p.222



Pop Host L/M p.224

Ceiling - Plafone



Pop P04K p.152



Pop P12K p.188



Pop P07 Ø6,0 p.156



Pop P07 bi-color Ø6,0 p.160



Pop P07 Bulb p.166



Pop PX7 Ø11,2 p.162



Pop P07P Pull Ø11,2 p.172



Pop P12 Cup Ø3,0 p.193



Pop P12 Cup Ø6,0 p.199



Pop P12 Cup Ø12,0 p.203



Pop P12/D Ø3,0 p.178



Pop P13 Ø7,0 p.208



Pop P13 Ø12,5 p.210



Gun 2C Ø4,3 p.286



X7R Ø8,5 p.294-297



X7C 8,5x8,5 p.298-301



MoMa W bi color p.50



MoMa P mono-color p.42

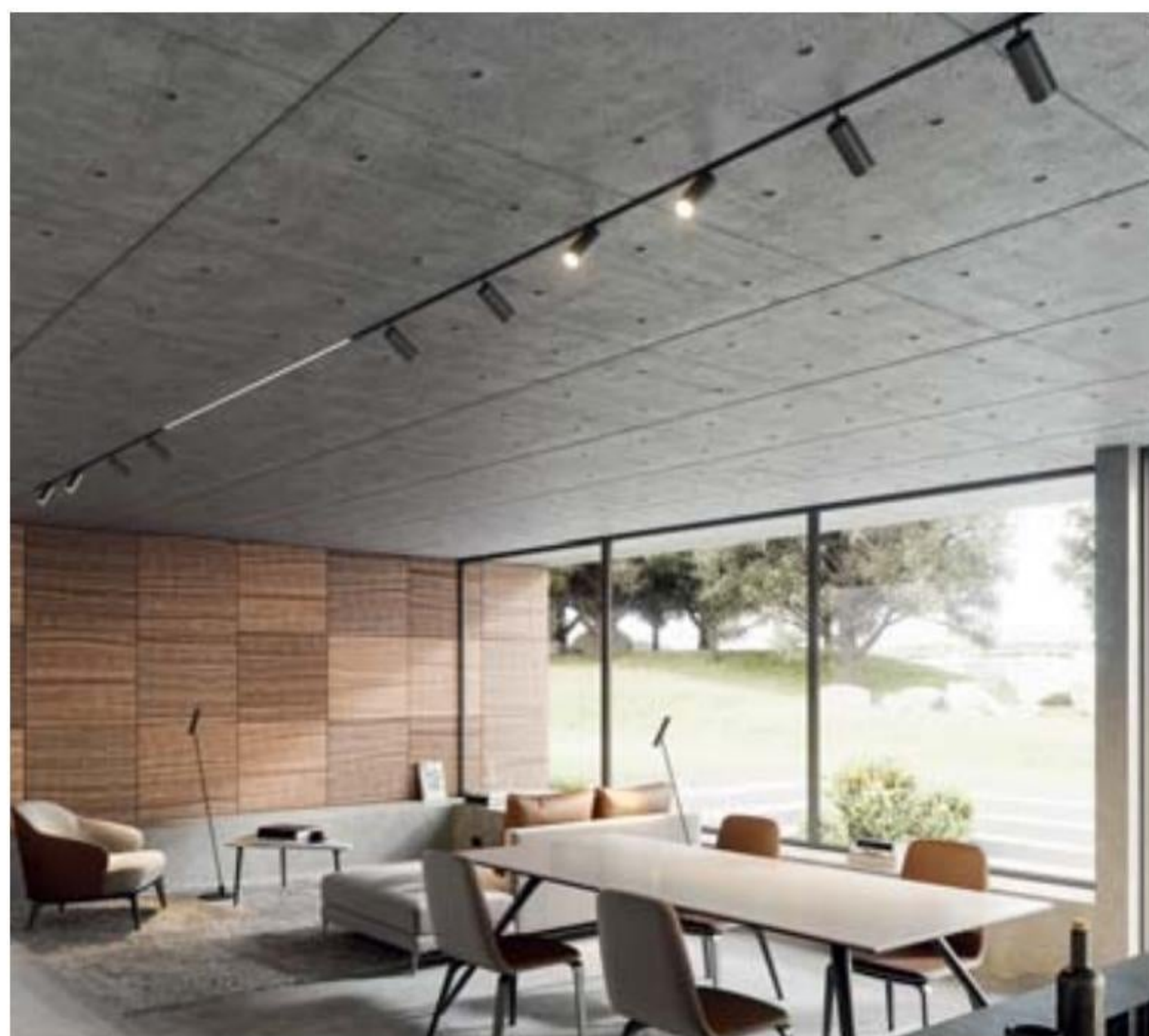


Pop Host W bi-color Ø32,0 p.226



Pop Host W bi-color Ø80,0 p.232

48V magnet track system
Sistema a binario magnetico 48V



X-RAIL 48V magnet track p.302



X-Gun 1 Ø3,0 p.308



X-Gun 2 Ø4,3 p.310



X-Gun 3 Ø5,0 p.312



X-Gun 4 Ø6,0 p.314



X-Dark 1 p.316



X-Line 30|60|90|120 p.318

Pendant items for magnet track system
Sospensioni per sistema a binario magnetico

Bijou
C'est Moi
Chapeau
C'est Toi
Petit
Chérie



p.320



Pop P15 Ø3,0 p.212

Table lamp
Tavolo



Pop P50 Pinocchio *p.240*

Floor lamp
Terra



Pop Polifemo PF1 *p.204*



Pop Polifemo PF3 *p.206*



Pop Up 207 *p.254*



Pop P55 Pinocchio *p.241*

Pendant - Sospensione



Club C1 mono-color p.26



Club C2 mono-color p.28



Club C3 mono-color p.30



Pop P06 mono-color Ø 6,0 p.154



Pop P06 bi-color Ø 6,0 p.158



MoMa mono-color p.40



J&J p.36



MoMa bi-color p.44



Jumbo p.38

Filo System

Pop Bijou

C'est Moi

C'est Toi

Chérie

Chapeau

BonBon

Petit

p.70

p.70

p.70

p.70

p.70

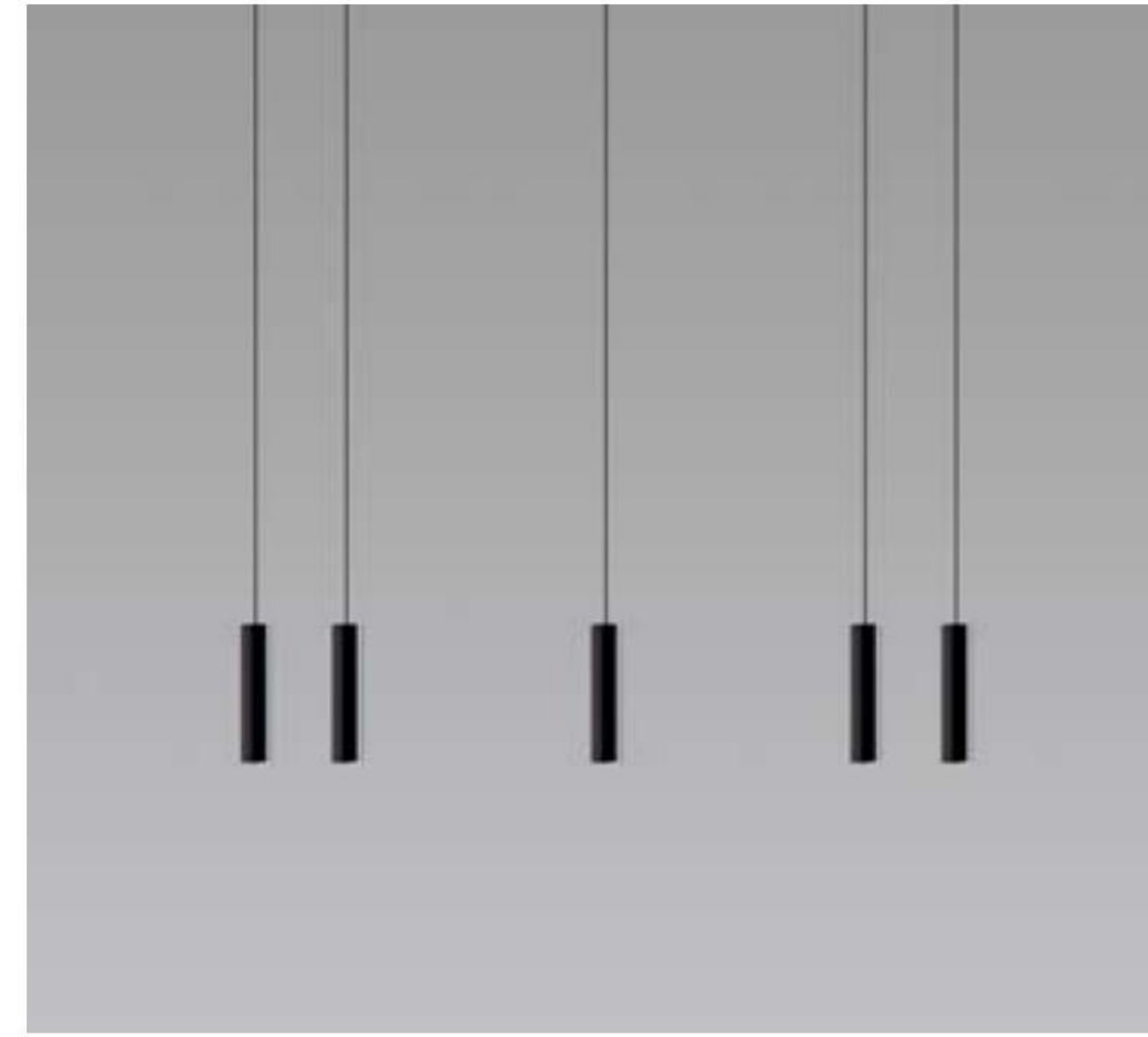
p.82

p.78



Pop Bijou

p.60



Pop C'est Moi

p.62



Pop C'est Toi

p.64



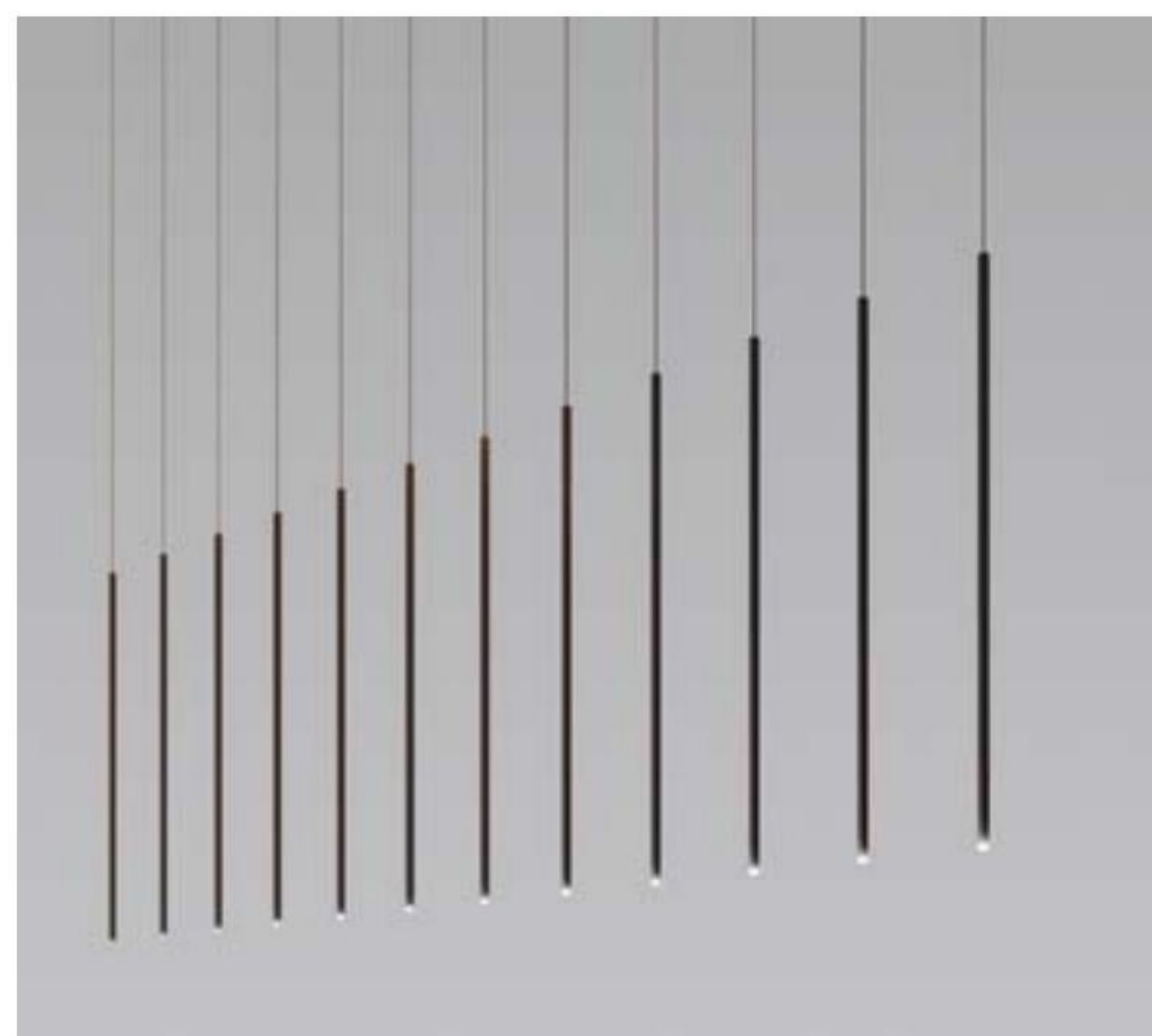
Pop Chérie

p.68



Pop Chapeau

p.66



Pop Petit

p.76



Pop BonBon

p.80

Pendant - Sospensione



Pop Host mono-color Ø32,0

p.220



Pop Host bi-color Ø32,0

p.216



Pop Host mono-color Ø80,0

p.230



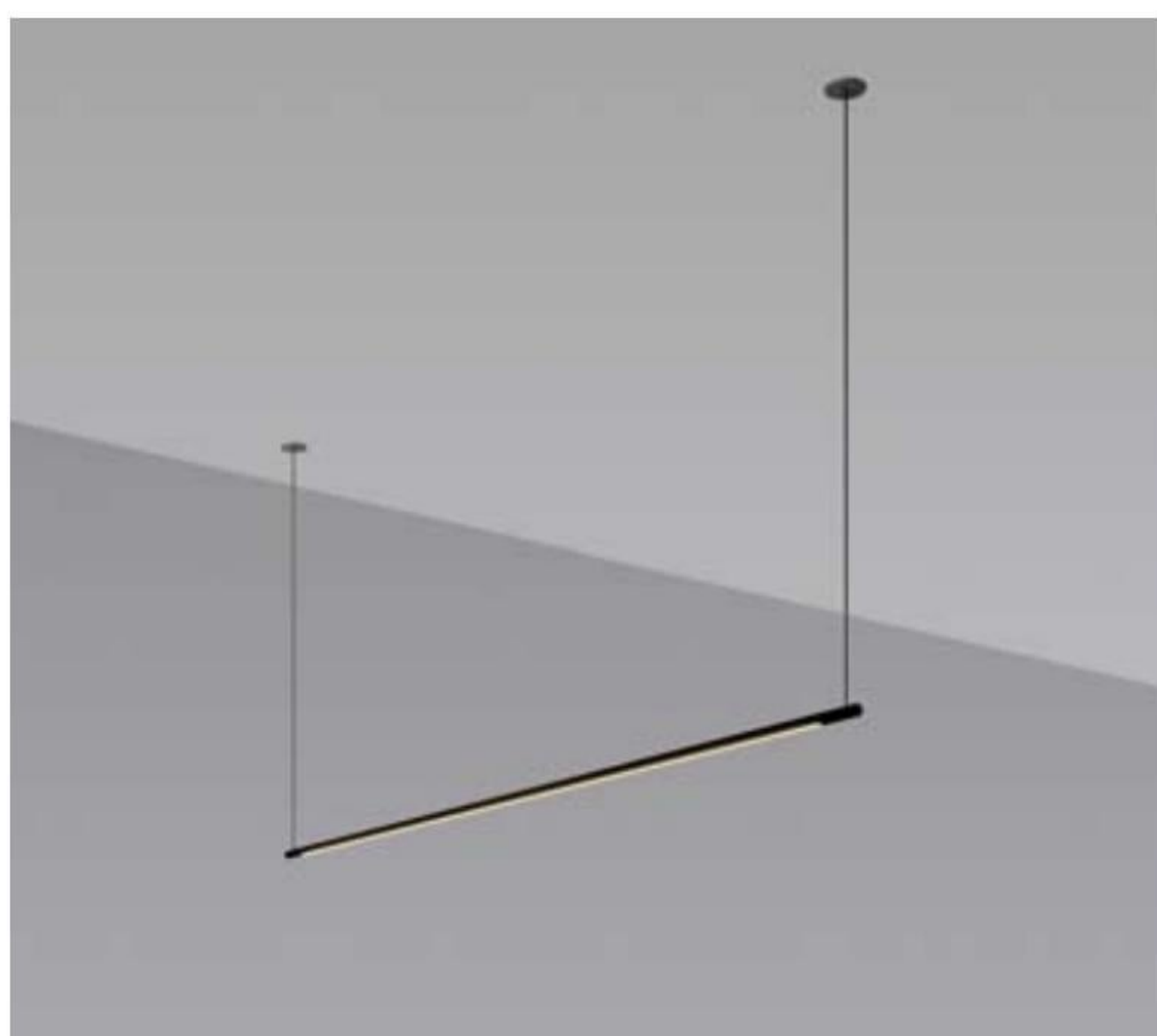
Pop Host bi-color Ø80,0

p.228



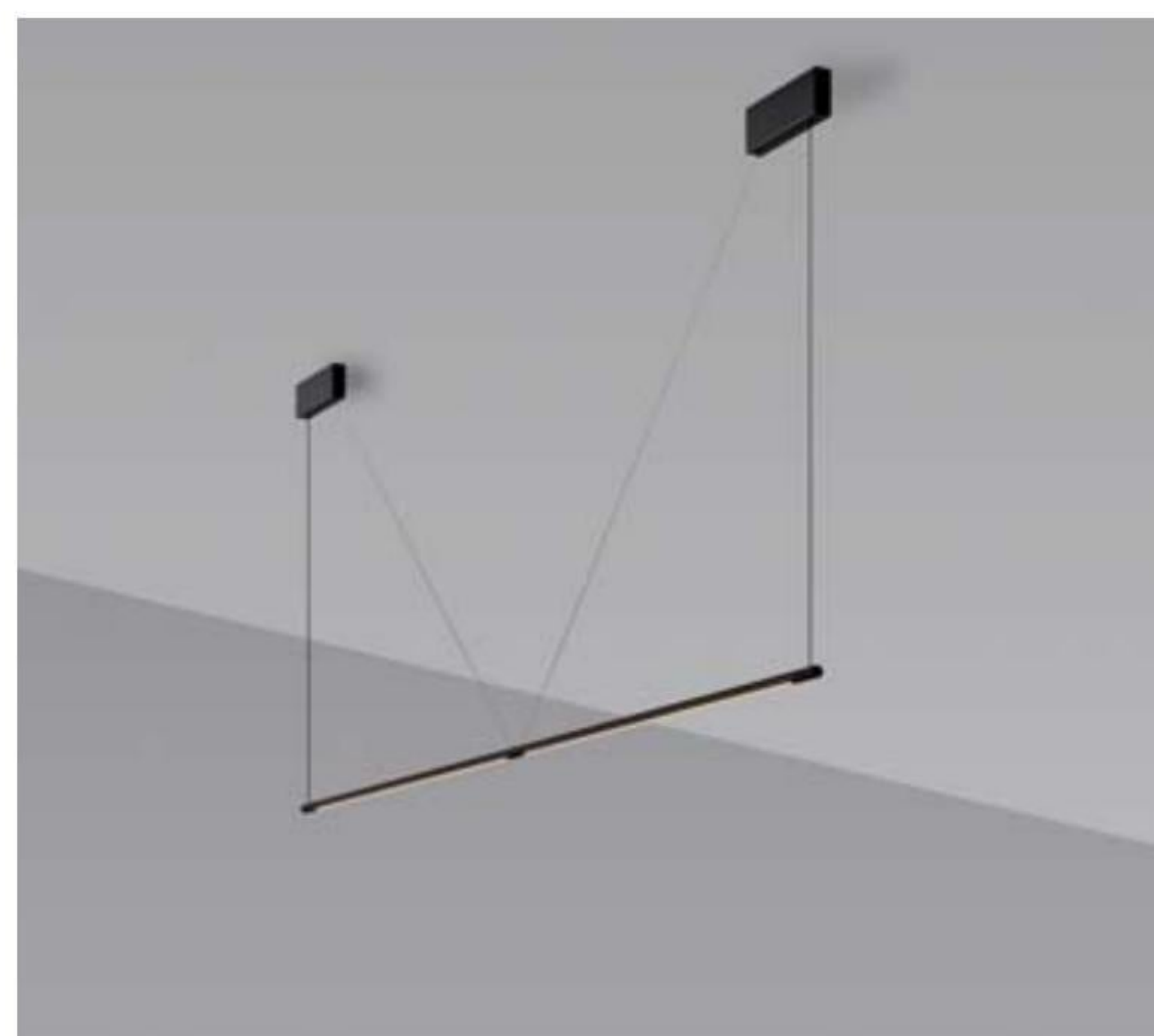
Pop P40 Chandelier

p.234-239



Pop P120/P200 Arc - Cup

p.246-249



Pop P122/P123 Brooklyn Arc - Cup

p.242-245



Tim T124/T196 Arc - Cup

p.256



X-Running Cup Ø60,0 - Ø80,0 - Ø120,0

p.328



X-Running Ø60,0 - Ø80,0 - Ø120,0

p.330



X-Running Ø180,0 - Ø230,0

p.332

Bic 07 7x7 trimless



Bic 07 7x7 trimless
For plasterboard. Per cartongesso

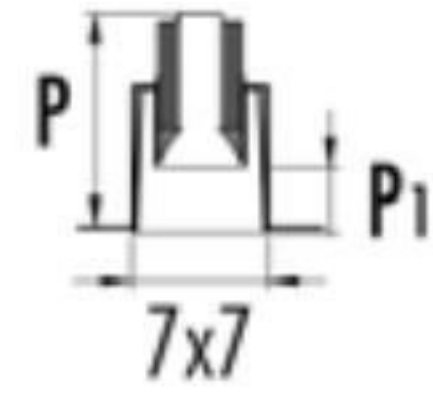


- *Frame - Struttura*
-
- 02** ● Black - Nero
- 06** ○ White - Bianco

Code	P1	P
B07.210.□	3,6	11,5
B07.220.□	3,1	10,0
B07.3■▲.□	3,8	12,6
B07.3W▲.□	3,8	10,4

(m-M) = min. Led unit - Max Led unit. Led and Emergency unit, warranty only when used together with driver bought from Oty srl.

(m-M) = gestione minima e massima delle unità Led. I Led e le unità di emergenza, sono coperti da garanzia solo se utilizzati in abbinamento con i driver forniti dalla Oty srl.



IP20
 220V ÷ 240V
3B07.210. **GU10** max 50W

IP20
 12V
3B07.220. **GU5.3** max 50W
3KIT.201.050 max 50VA
Dimmable gear: IGBT

IP40 MC-E=3
 350m/A **LED 11W** CRI>90
3B07.3

Led color	Nominal lm	Beam spread
2 = 2700K	1195	S = 22°
3 = 3000K	1257	T = 12°
4 = 4000K	1313	

(m-M) Driver
3KIT.350.1L (1-1) on/off
3KIT.351.40 (1-3) DALI - Push - 1...10V
Remote installation
3KIT.352.15 (1-1) DALI
3KIT.353.15 (1-1) Push - 1...10V
3KIT.354.18 (1-1) IGBT - TRIAC

Emergency unit: (inverter + battery. Driver not included)
3KIT.900.01 (1-1) 1:00 hour
3KIT.900.03 (1-1) 3:00 hours

IP40 **DimToWarm**
 350m/A LED 6W CRI 95
3B07.3W

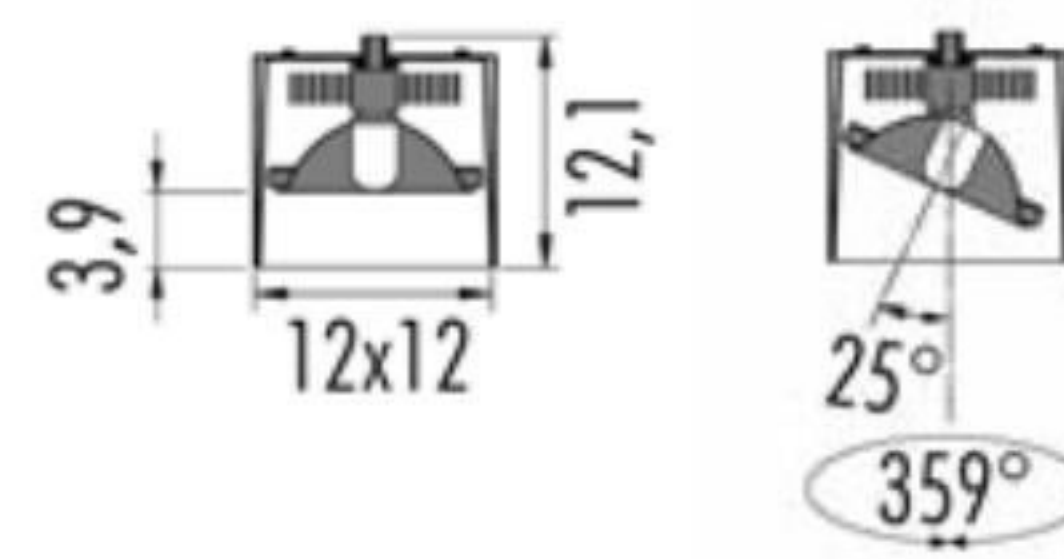
Led color	Nominal lm	Beam spread
W= max 3000K min. 1800K	max 445 lm min. 10 lm	M = 30° S = 18°

(m-M) Driver
3KIT.352.W15 (1-1) DALI
3KIT.354.W10 (1-1) IGBT - TRIAC

Housing for plasterboard. Cassaforma per cartongesso

- **1Z07.070.01** Single
- ■ **1Z07.070.2L** Double

Bic 12 12x12 trimless
For plasterboard. Per cartongesso



IP20 MC-E=3
350 - 500 m/A LED CRI>90
3B12.5

© (m-M) **LED 12,5W** **350m/A**

3KIT.350.1L (1-1) on/off
3KIT.351.40 (1-3) DALI - Push - 1...10V
3KIT.352.15 (1-1) DALI
3KIT.353.15 (1-1) Push - 1...10V
3KIT.354.18 (1-1) IGBT - TRIAC

■ Led color	Nominal lm	▲ Beam spread
2 = 2700 K	1477	L = 60°
3 = 3000 K	1565	S = 24°
4 = 4000 K	1635	T = 12°

© (m-M) **LED 18,4W** **500m/A**

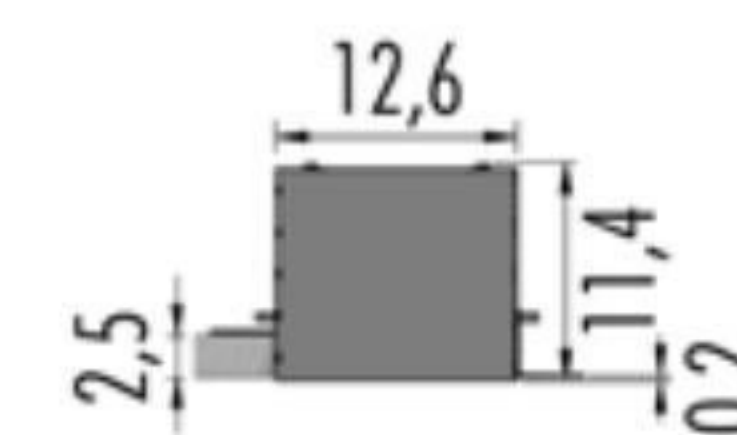
3KIT.500.1L (1-1) on/off
3KIT.501.50 (1-2) DALI - Push - 1...10V
3KIT.502.20 (1-1) DALI
3KIT.503.20 (1-1) Push - 1...10V
3KIT.504.20 (1-1) IGBT - Triac

■ Led color	Nominal lm	▲ Beam spread
2 = 2700 K	2020	L = 60°
3 = 3000 K	2140	S = 24°
4 = 4000 K	2236	T = 12°

Frame - Struttura
02 Black - Nero
06 White - Bianco

Emergency unit: (inverter + battery. Driver not included)

3KIT.900.01 (1-1) 1:00 hour
3KIT.900.03 (1-1) 3:00 hours



Housing for plasterboard. Cassaforma per cartongesso

1Z12.120.01

(m-M) = min. Led unit - Max Led unit. Led and Emergency unit, warranty only when used together with driver bought from Oty srl.
(m-M) = gestione minima e massima delle unità Led. I Led e le unità di emergenza, sono coperti da garanzia solo se utilizzati in abbinamento con i driver forniti dalla Oty srl.

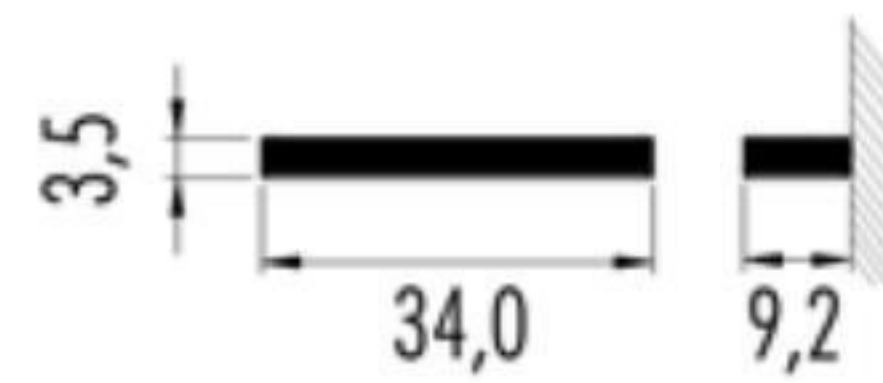


Brick



Brick 20

IP20 ©	MC-E=3	CE ▽
220-240V	8,5W	CRI>90
3BR2.4 ■ L. □	dim. IGBT - TRIAC	
3BR2F4 ■ L. □	DALI - Push	
■ Led color	Nominal lm	Beam spread
2 = 2700K	1040	92°
3 = 3000K	1095	



Brick 34

IP20 ©	MC-E=3	CE ▽
220-240V	17W	CRI>90
3BR3.4 ■ L. □	on/off	
■ Led color	Nominal lm	Beam spread
2 = 2700K	2080	92°
3 = 3000K	2190	

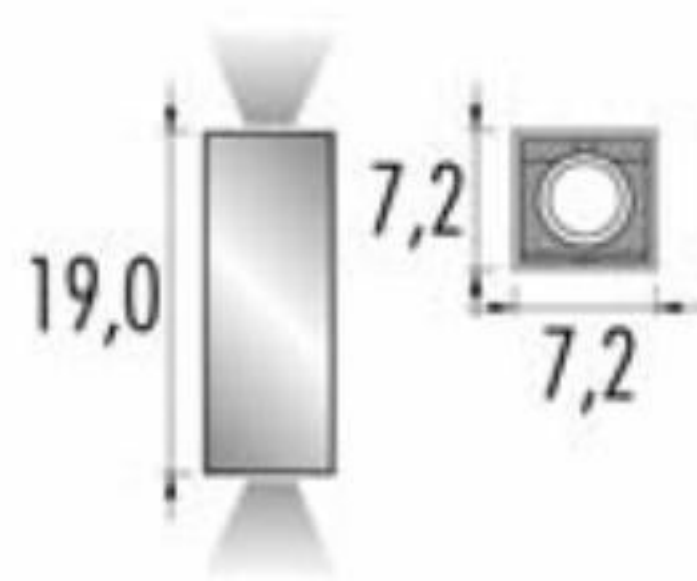
□ Frame - Struttura

02 ● Black - Nero

06 ○ White - Bianco



micro Box



P20

CE

220-240V

GU10 2 x lamp led

3B72.210.

Frame - Struttura

02 Black - Nero

06 White - Bianco



Box



Code	L	H	P
BOX23	23,0	8,5	7,2
BOX31	31,0	8,5	7,2
BOX50	50,0	8,5	7,2
BOX63	63,0	8,5	7,2

Frame - Struttura

02 Black - Nero

06 White - Bianco

Box 23 cm

IP40 ©	MC-E=3	CE ▽
220-240V	LED 2x6,8W	CRI>95
3B23.5 <input type="checkbox"/> L. <input type="checkbox"/>	on/off	
<input type="checkbox"/> Led color	Nominal lm	Beam spread
2 = 2700K	2x860	90°
3 = 3000K	2x875	

Box 31 cm

IP40 ©	MC-E=3	CE ▽
220-240V	LED 2x9,0W	CRI>95
3B31.5 <input type="checkbox"/> L. <input type="checkbox"/>	on/off	
3B31F5 <input type="checkbox"/> L. <input type="checkbox"/>	DALI - Push - 1...10V	
3B31G5 <input type="checkbox"/> L. <input type="checkbox"/>	1...10V - Push	
<input type="checkbox"/> Led color	Nominal lm	Beam spread
2 = 2700K	2x1135	90°
3 = 3000K	2x1170	

Box 50 cm

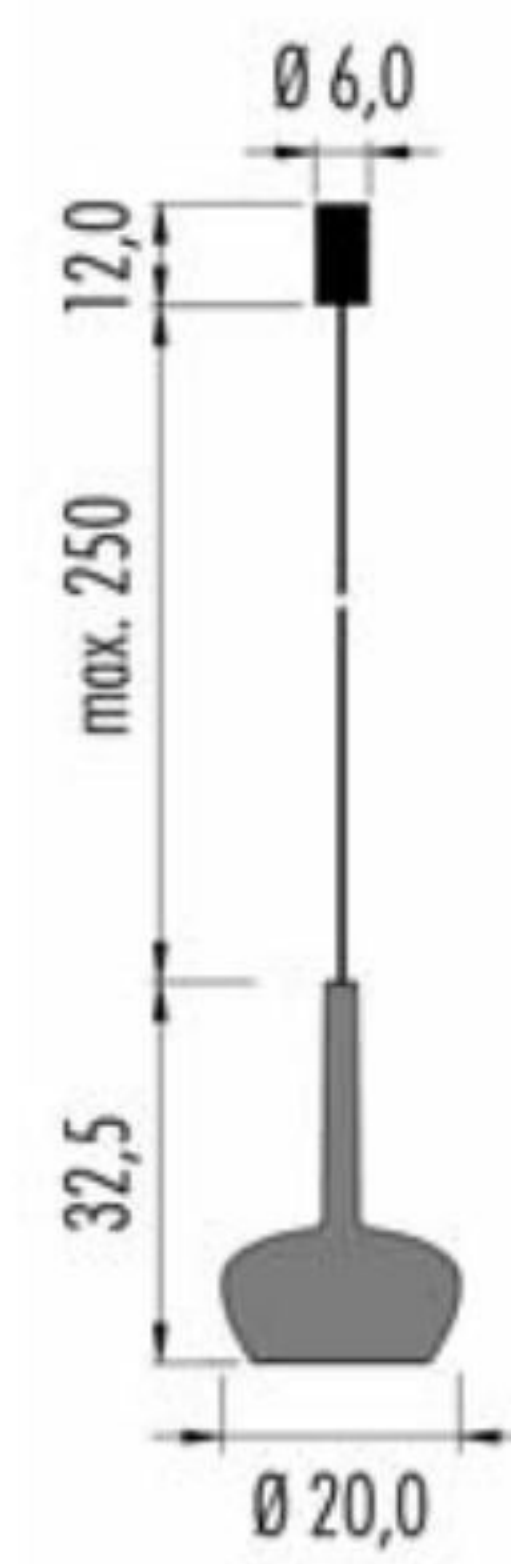
IP40 ©	MC-E=3	CE ▽
220-240V	LED 2x13,5W	CRI>95
3B50.5 <input type="checkbox"/> L. <input type="checkbox"/>	on/off	
3B50E5 <input type="checkbox"/> L. <input type="checkbox"/>	DALI - Push - 1...10V	
<input type="checkbox"/> Led color	Nominal lm	Beam spread
2 = 2700K	2x1700	90°
3 = 3000K	2x1756	

Box 63 cm

IP40 ©	MC-E=3	CE ▽
220-240V	LED 2x18,2W	CRI>95
3B63.5 <input type="checkbox"/> L. <input type="checkbox"/>	on/off	
3B63E5 <input type="checkbox"/> L. <input type="checkbox"/>	DALI - Push - 1...10V	
<input type="checkbox"/> Led color	Nominal lm	Beam spread
2 = 2700K	2x2270	90°
3 = 3000K	2x2340	



Club C1 *Mono-color*

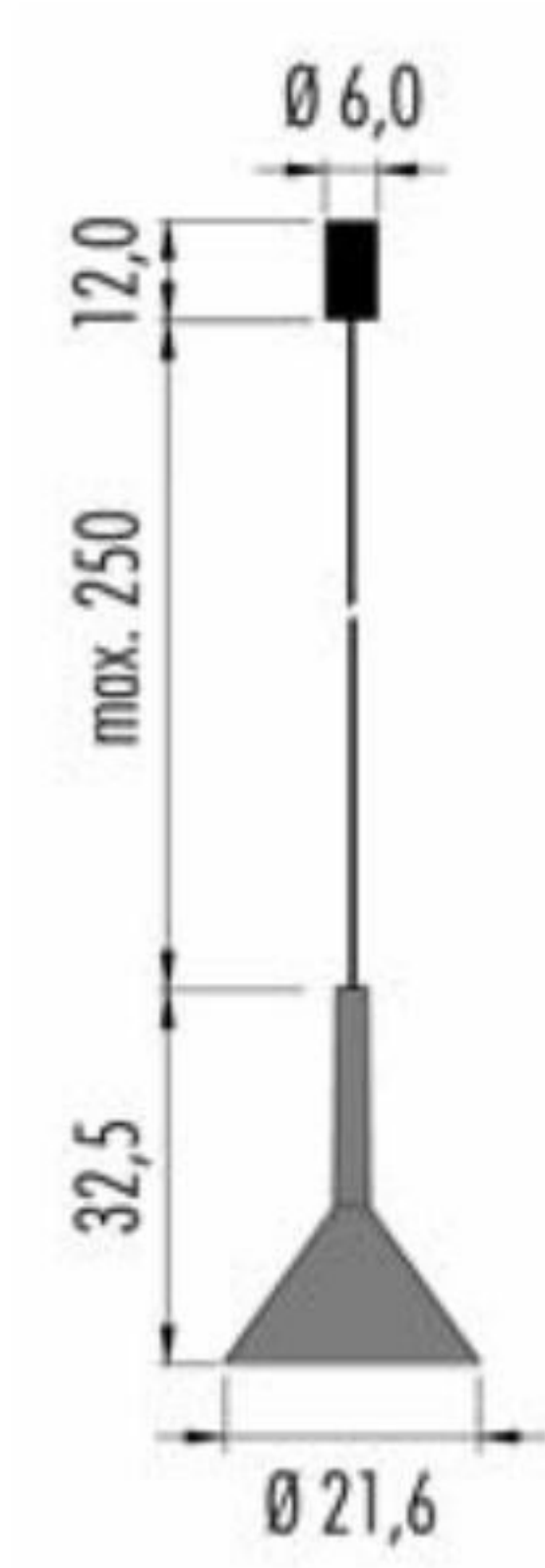


IP20	©		CE	▽
220-240V		9W		CRI>90
3C1C.2	■ L. □	on/off		
■ <i>Led color</i>		<i>Nominal lm</i>		<i>Beam spread</i>
2 = 2700K		1008		60°
3 = 3000K		1066		

□	<i>Frame - Struttura</i>	<i>Canopy - Rosone</i>	<i>Wire - Cavo</i>
02 ●	Black - Nero	Black - Nero	Black - Nero
06 ○	White - Bianco	White - Bianco	Black - Nero



Club C2 *Mono-color*

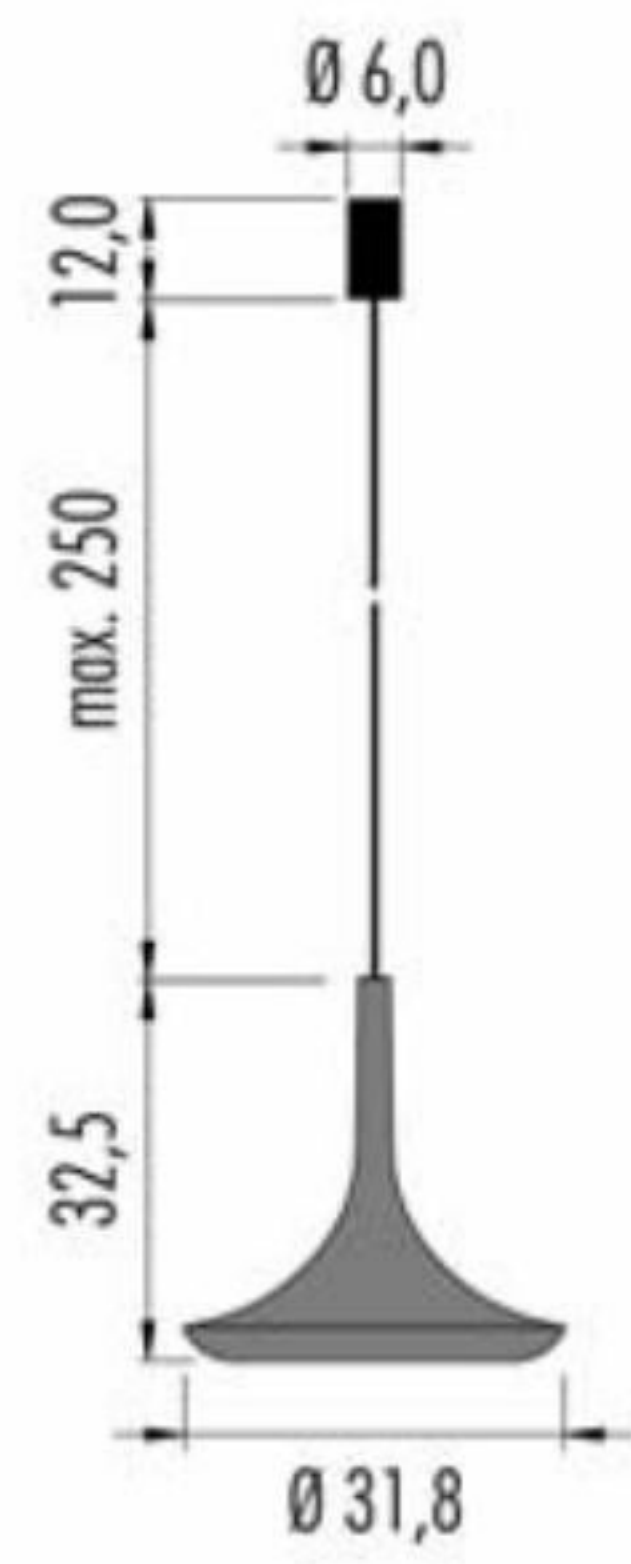


IP20	©		CE	▽
220-240V		9W		CRI>90
3C2C.2	■ L. □	on/off		
■ <i>Led color</i>		<i>Nominal lm</i>		<i>Beam spread</i>
2 = 2700K		1008		60°
3 = 3000K		1066		

□	<i>Frame - Struttura</i>	<i>Canopy - Rosone</i>	<i>Wire - Cavo</i>
02 ●	Black - Nero	Black - Nero	Black - Nero
06 ○	White - Bianco	White - Bianco	Black - Nero



Club C3 *Mono-color*

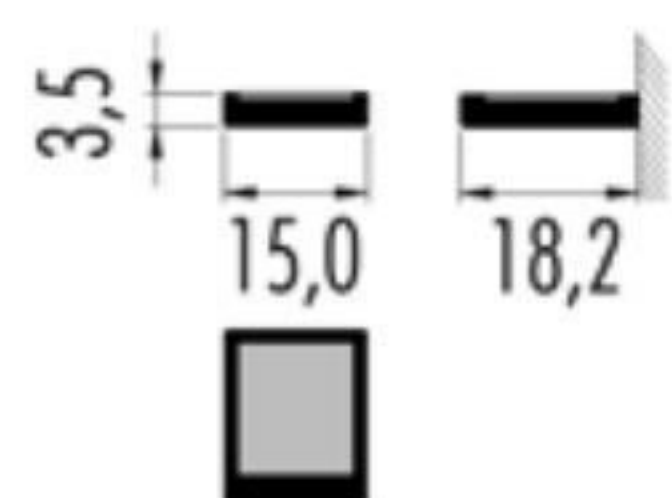


IP20	©		CE	▽
220-240V		9W		CRI>90
3C3C.2	■	L. □		on/off
■	<i>Led color</i>	<i>Nominal lm</i>		<i>Beam spread</i>
2	= 2700K	1008		60°
3	= 3000K	1066		

□	<i>Frame - Struttura</i>	<i>Canopy - Rosone</i>	<i>Wire - Cavo</i>
02	● Black - Nero	Black - Nero	Black - Nero
06	○ White - Bianco	White - Bianco	Black - Nero



e-PAD 15

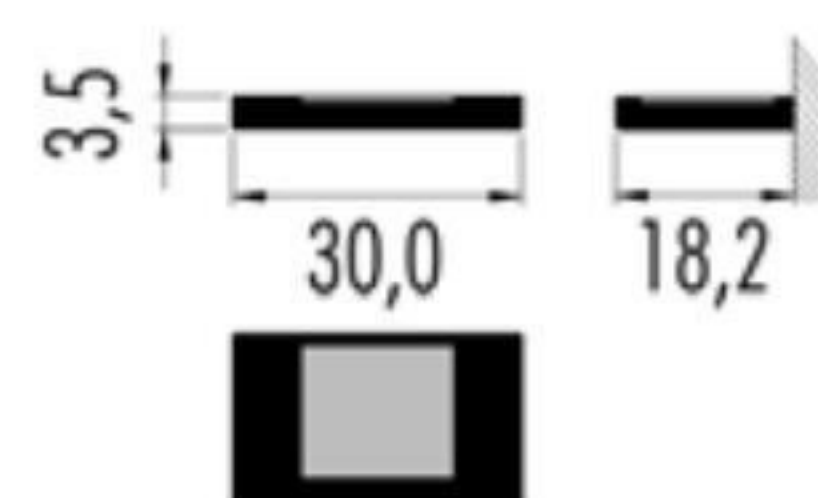


IP20 ©	MC-E=3	CE ▽
220-240V	LED 1x18W	CRI>90
3E15.5 ■ L. □	dim. IGBT - TRIAC	
■ <i>Led color</i>	<i>Nominal lm</i>	<i>Beam spread</i>
2 = 2700K	2494	105°
3 = 3000K	2611	
4 = 4000K	2697	

□	<i>Frame - Struttura</i>
02 ●	Black - Nero
06 ○	White - Bianco



e-PAD 30

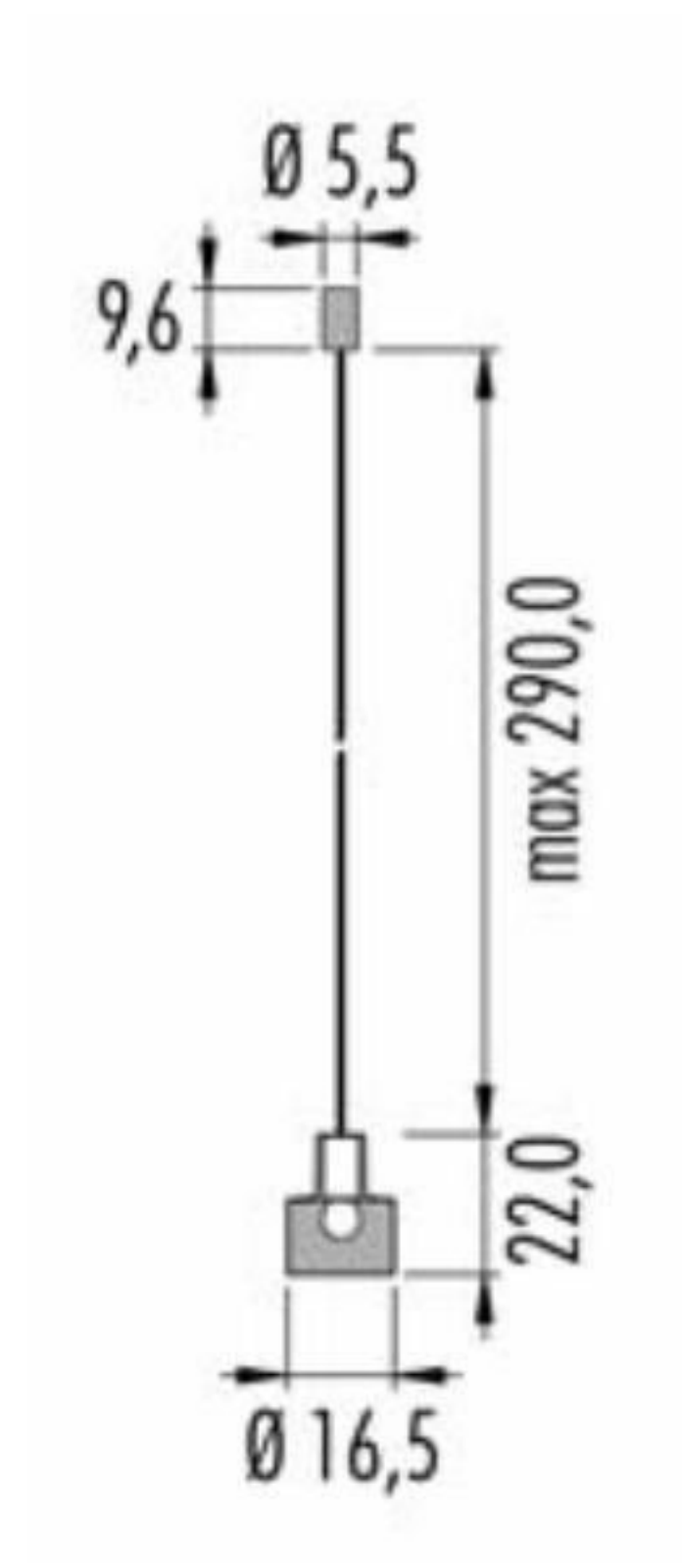


IP20 ©	MC-E=3	CE ▽
220-240V	LED 2x18W	CRI>90
3E30.5 ■ L. □	dim. IGBT - TRIAC	
3E30.7 ■ L. □	DALI - Push - 1...10V	
■ <i>Led color</i>	<i>Nominal lm</i>	<i>Beam spread</i>
2 = 2700K	2x2494	105°
3 = 3000K	2x2611	
4 = 4000K	2x2697	

□	<i>Frame - Struttura</i>
02 ●	Black - Nero
06 ○	White - Bianco



J&J

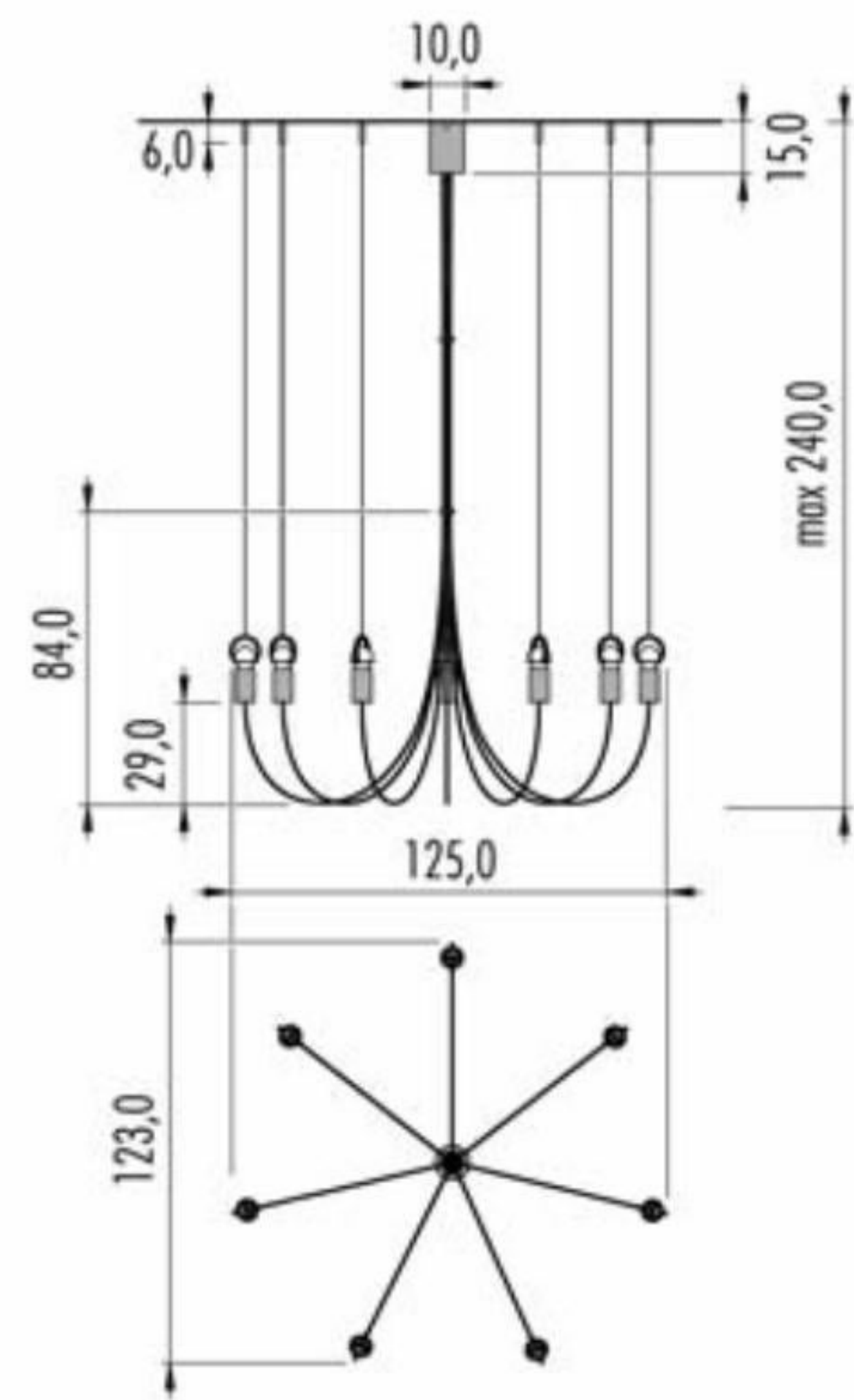


IP20	Ⓛ	CE	∇
220-240V	e27 4W	CRI>80	
3JJ1.12L.02	dim. IGBT - Triac		
<i>Led color</i>	<i>Nominal lm</i>	<i>Beam spread</i>	
2700K	470	220°	

<i>Canopy/Rosone</i>	<i>Wire/Cavo</i>	<i>Cylinder/Cilindro</i>	<i>Glass/Vetro</i>
Black - Nero	Black - Nero	Black - Nero	Fumé - Fumé



Jumbo J07

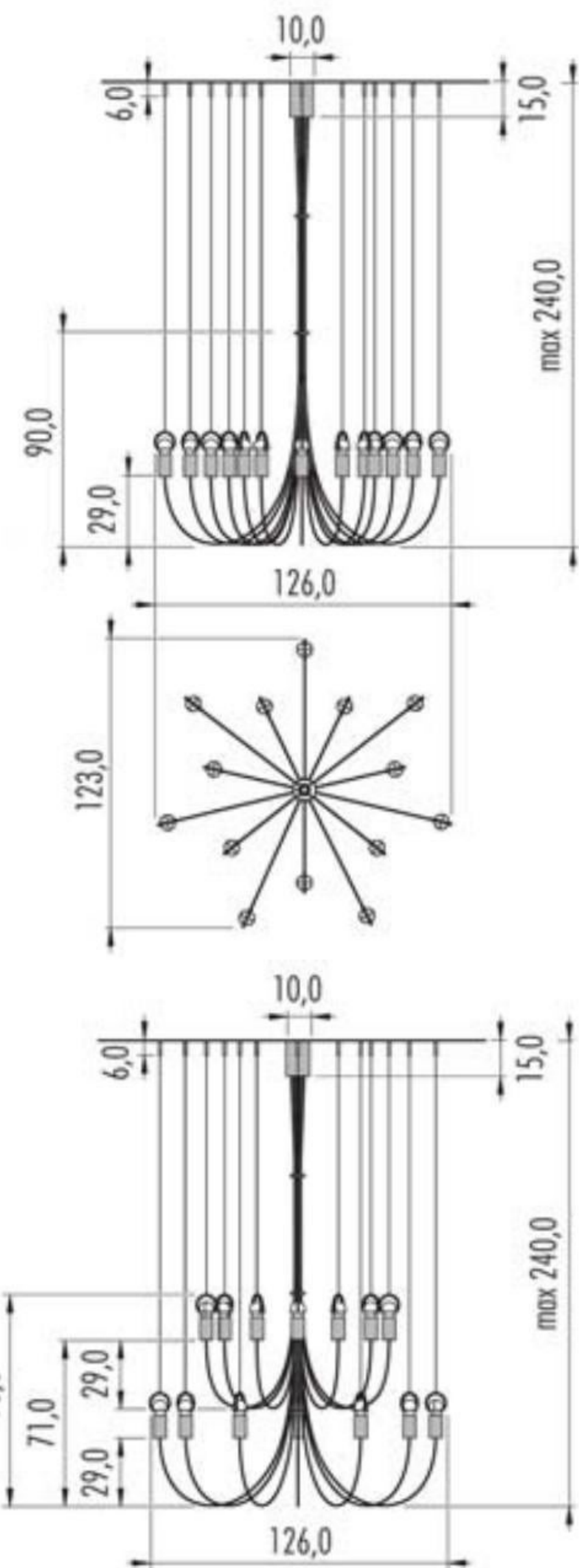


IP20	Ⓛ	CE	▽
220-240V	e27 7x4W	CRI>80	
3J07.12L.02	dimm. IGBT - Triac		
<i>Led color</i>	<i>Nominal lm</i>	<i>Beam spread</i>	
2700K	7x470	360°	

Wire - Cavo Cylinder for Bulb - Cilindro porta-lampada

Black - Nero Black - Nero

Jumbo J14



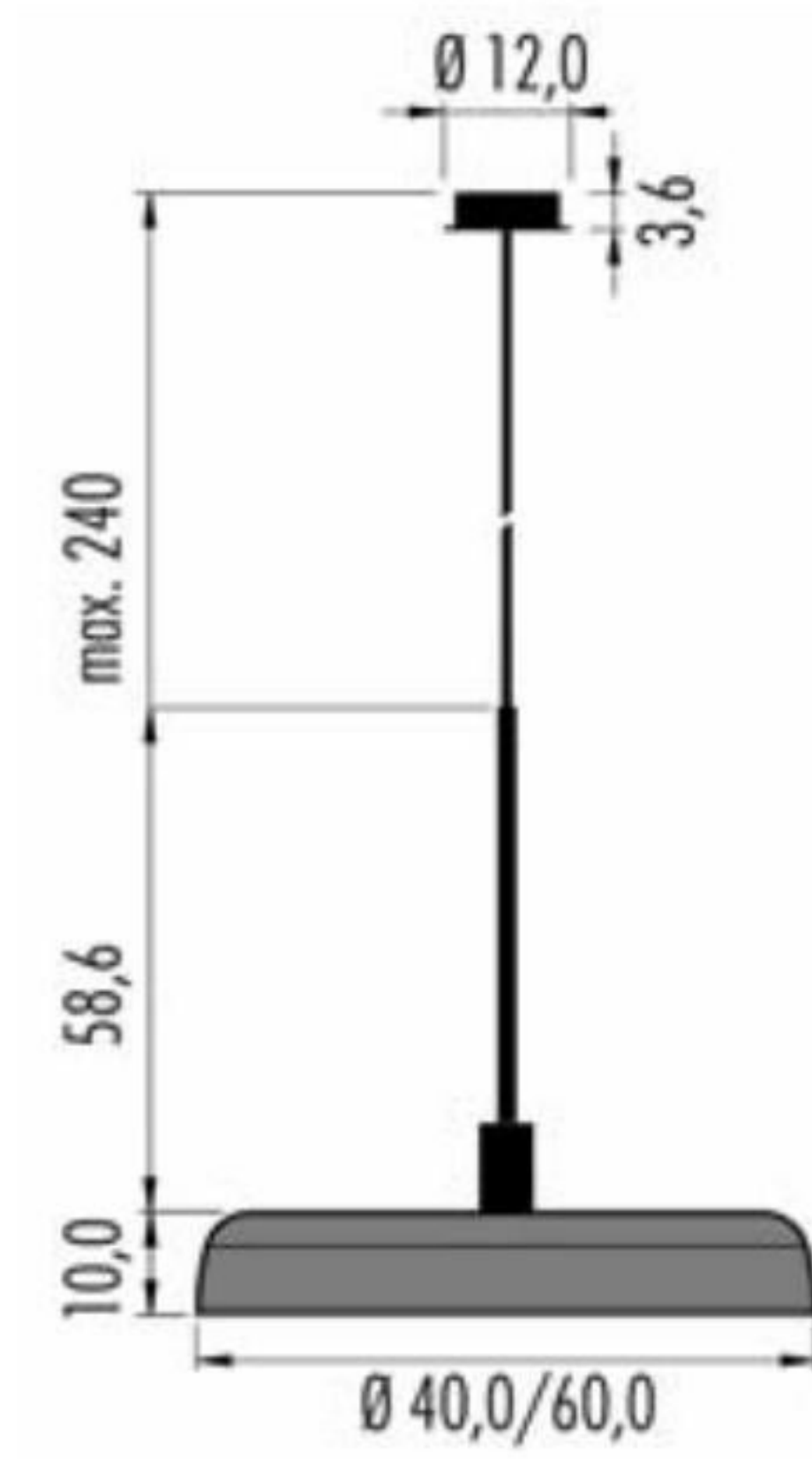
IP20	Ⓛ	CE	▽
220-240V	e27 14x4W	CRI>80	
3J14.12L.02	dimm. IGBT - Triac		
<i>Led color</i>	<i>Nominal lm</i>	<i>Beam spread</i>	
2700K	14x470	360°	

Wire - Cavo Cylinder for Bulb - Cilindro porta-lampada

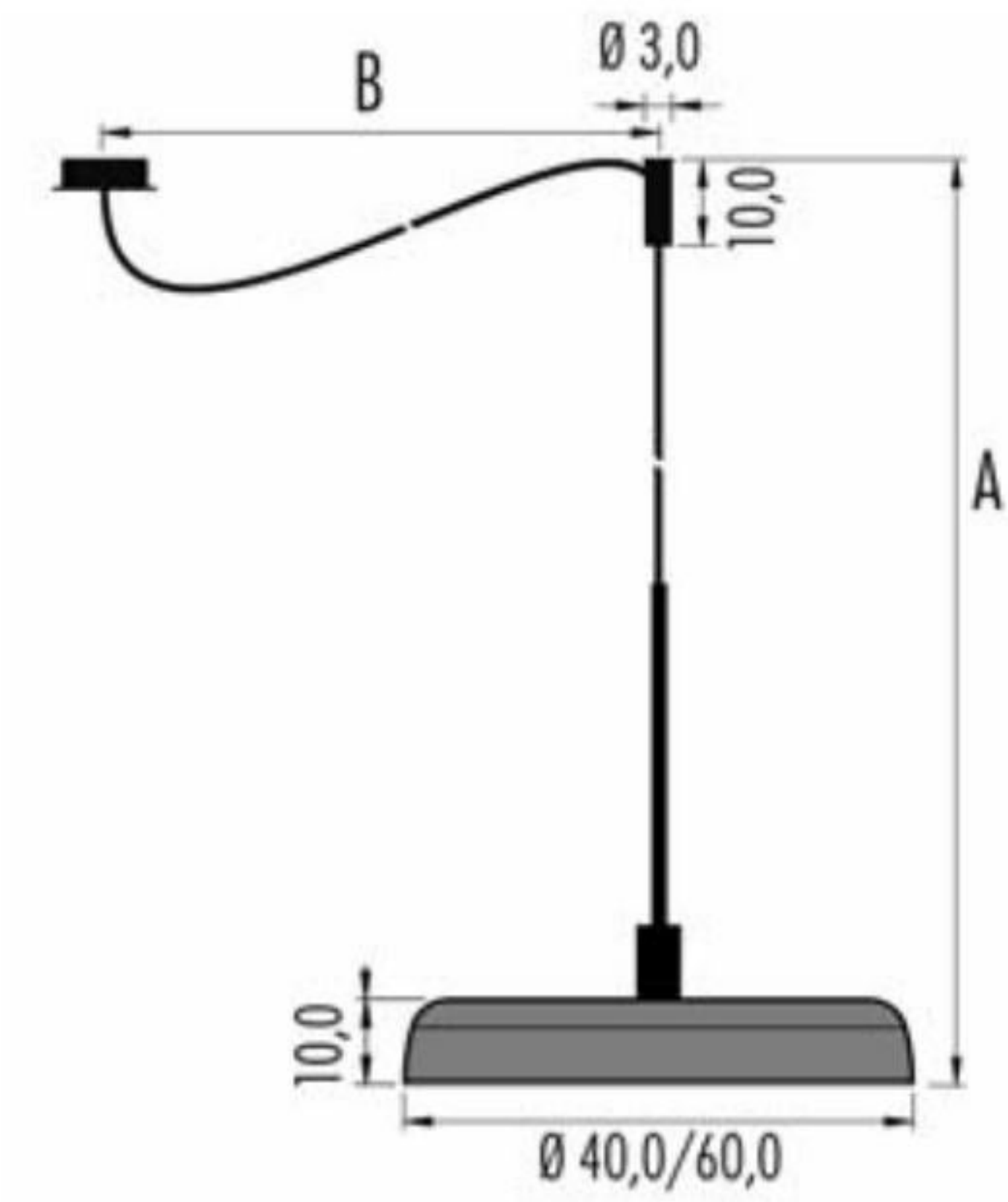
Black - Nero Black - Nero



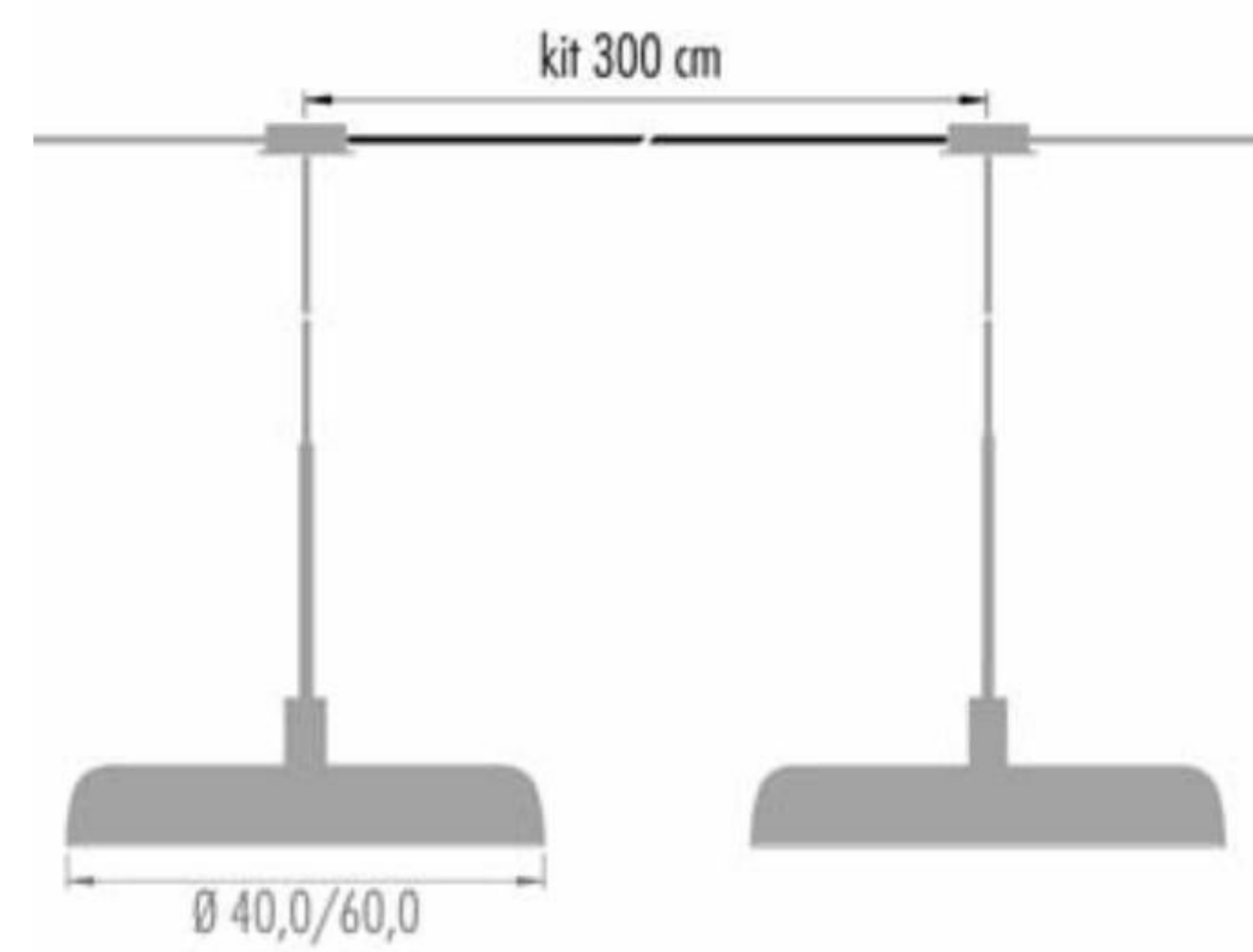
MoMa Mono-color



IP20	Ⓛ		CE	▽
220-240V	e27	7W CRI>80	dimmable IGBT - Triac	
3M40C.12L.06		Ø 40cm		
3M60C.12L.06		Ø 60cm		
<i>Led color</i>		<i>Nominal lm</i>	<i>Beam spread</i>	
2700K		806	163°	



IP20	Ⓛ	A+B=410cm	CE	▽
220-240V	e27	7W CRI>80	dimmable IGBT - Triac	
3M40D.12L.06		Ø 40cm		
3M60D.12L.06		Ø 60cm		
<i>Led color</i>		<i>Nominal lm</i>	<i>Beam spread</i>	
2700K		806	163°	



Canopy/Rosone:
White - Bianco

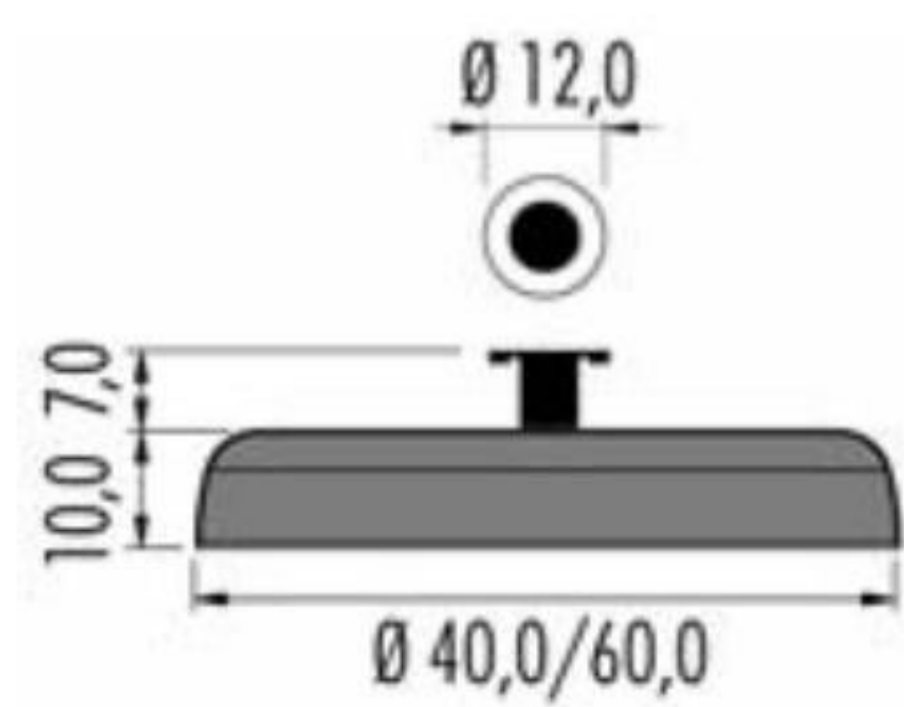
Wire/Cavo:
White - Bianco

Bulb/Lampadina:
Mirror chrome - Specchiata cromo

Kit Cable for MoMa composition - Kit cavo per composizione MoMa
1KIT.300.06 White - Bianco



MoMa P Mono-color
wall/ceiling - parete/plafone



IP20 

CE 

220-240V e27 7W CRI>80

dimnable IGBT - Triac

3M40P.12L.06 Ø 40cm

3M60P.12L.06 Ø 60cm

Led color
2700K

Nominal lm
806

Beam spread
163°

Frame/Struttura:

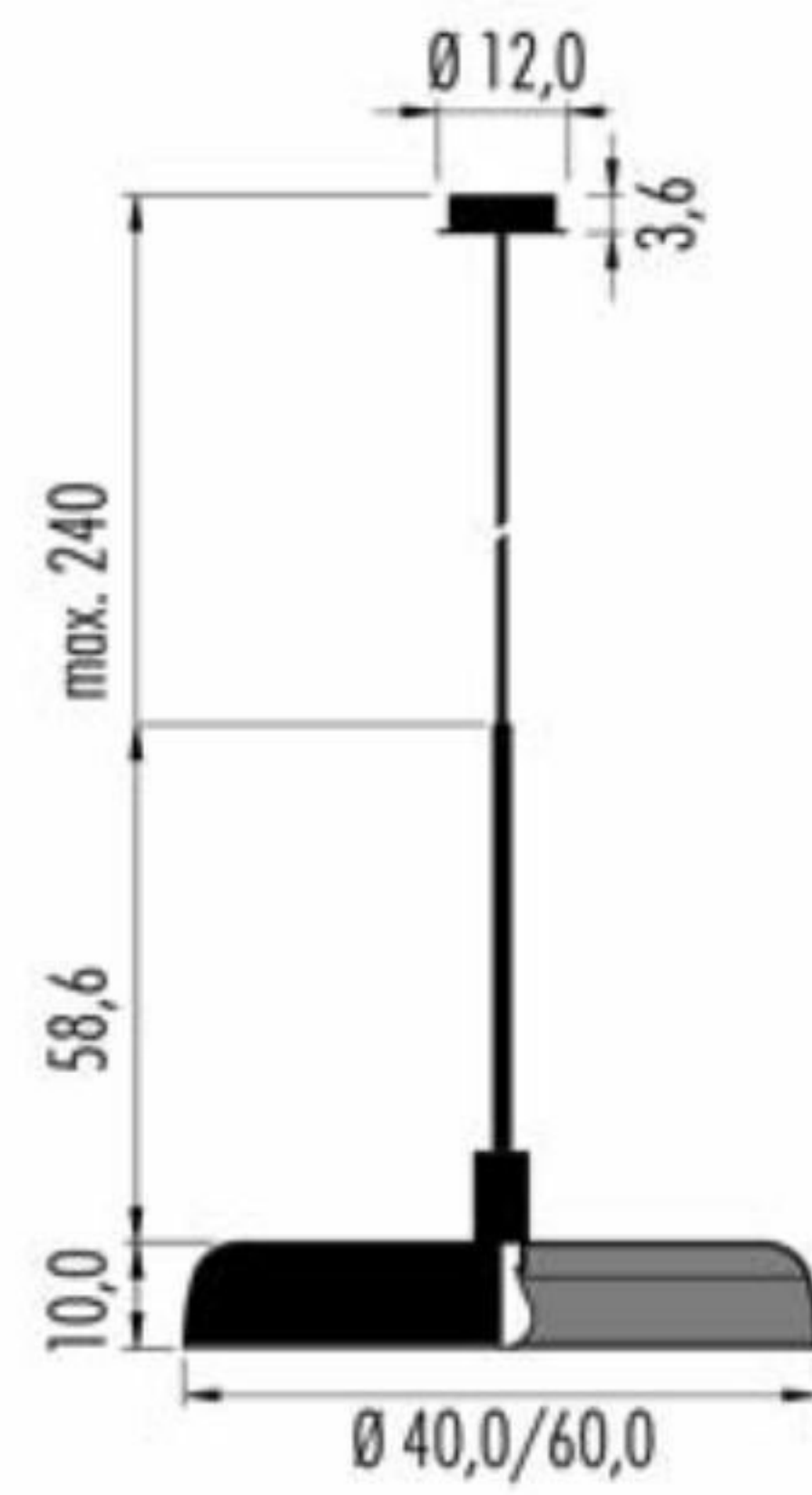
White - Bianco

Bulb/Lampadina:

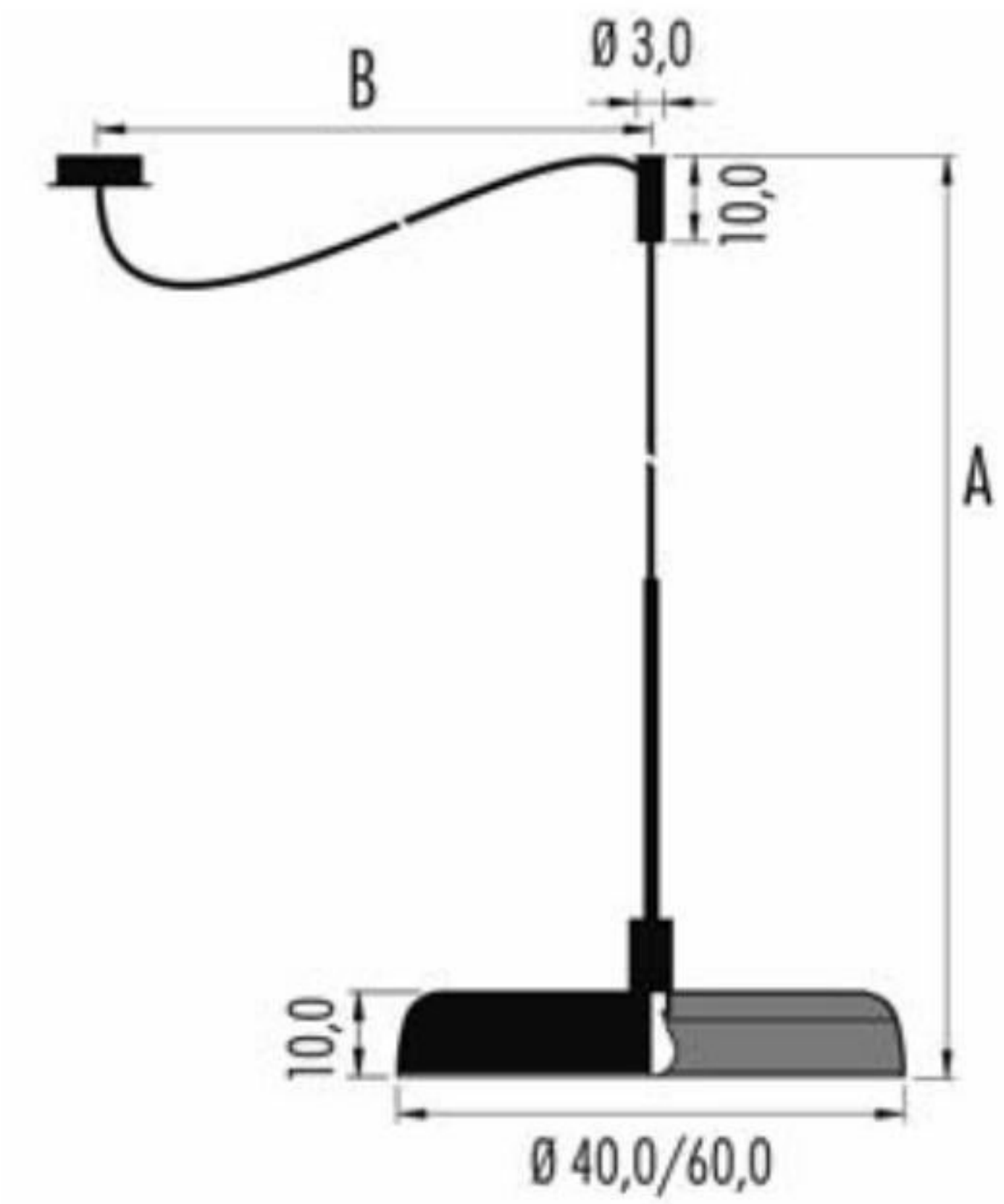
Mirror chrome - Specchiata cromo



MoMa Bi-color



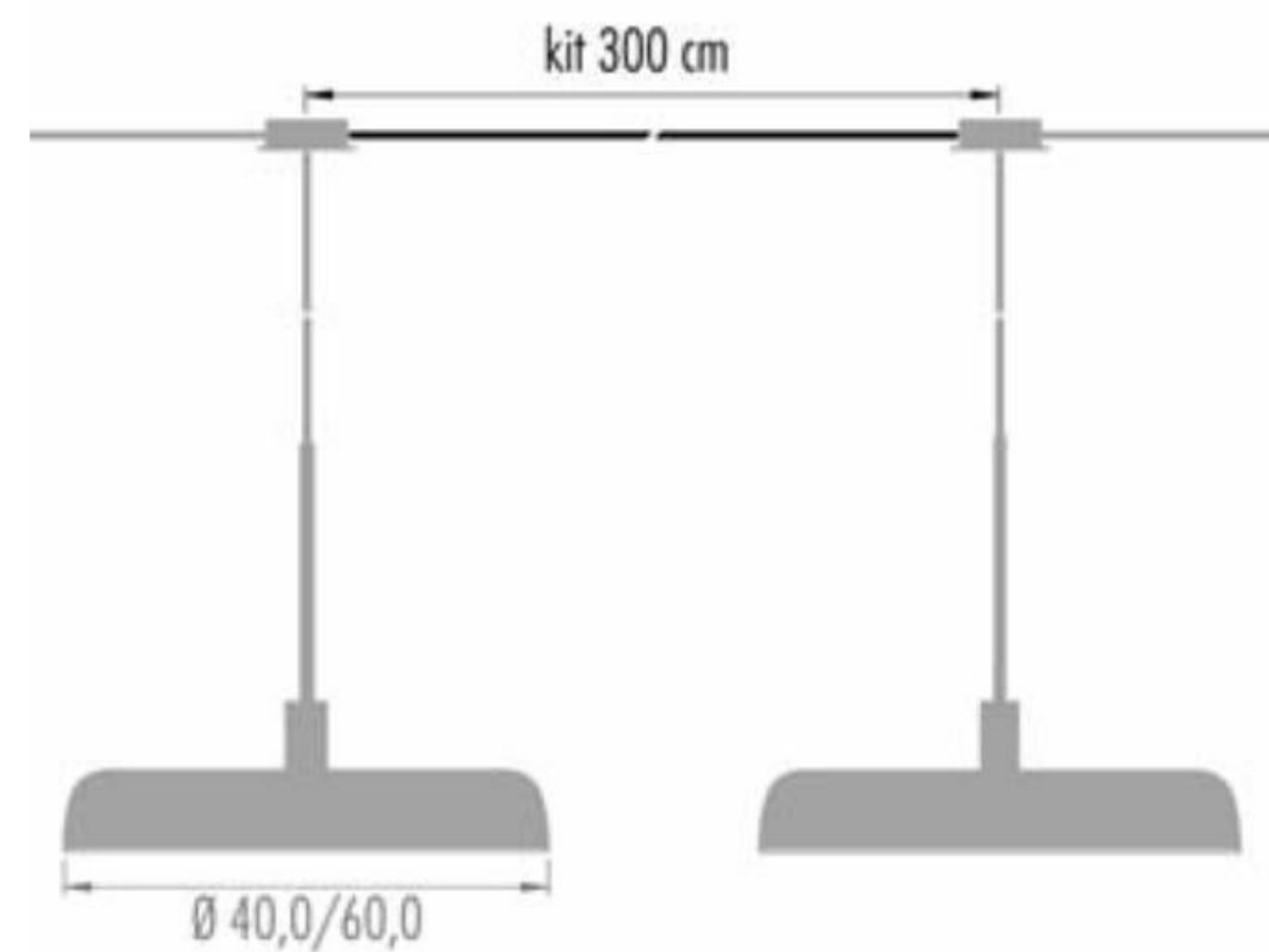
IP20	Ⓛ	CE	⚡
220-240V	e27	4W CRI>80	dimnable IGBT - Triac
3M40C.12L.	□	Ø 40cm	
3M60C.12L.	□	Ø 60cm	
Led color	Nominal lm	Beam spread	
2700K	470	163°	



IP20	Ⓛ	A+B=410cm	CE	⚡
220-240V	e27	4W CRI>80	dimnable IGBT - Triac	
3M40D.12L.	□	Ø 40cm		
3M60D.12L.	□	Ø 60cm		
Led color	Nominal lm	Beam spread		
2700K	470	163°		

□	Out	In	Diffuser - Diffusore	Canopy - Rosone
KC	●	●	Black/Copper - Nero/Rame	Black - Nero
WC	○	●	White/Copper - Bianco/Rame	White - Bianco
BC	●	●	Blue/Copper - Blu/Rame	Blue - Blu
GC	●	●	Green/Copper - Verde/Rame	Green - Verde
PC	●	●	Rose/Copper - Rosa/Rame	Rose - Rosa
RC	●	●	Red/Copper - Rosso/Rame	Red - Rosso

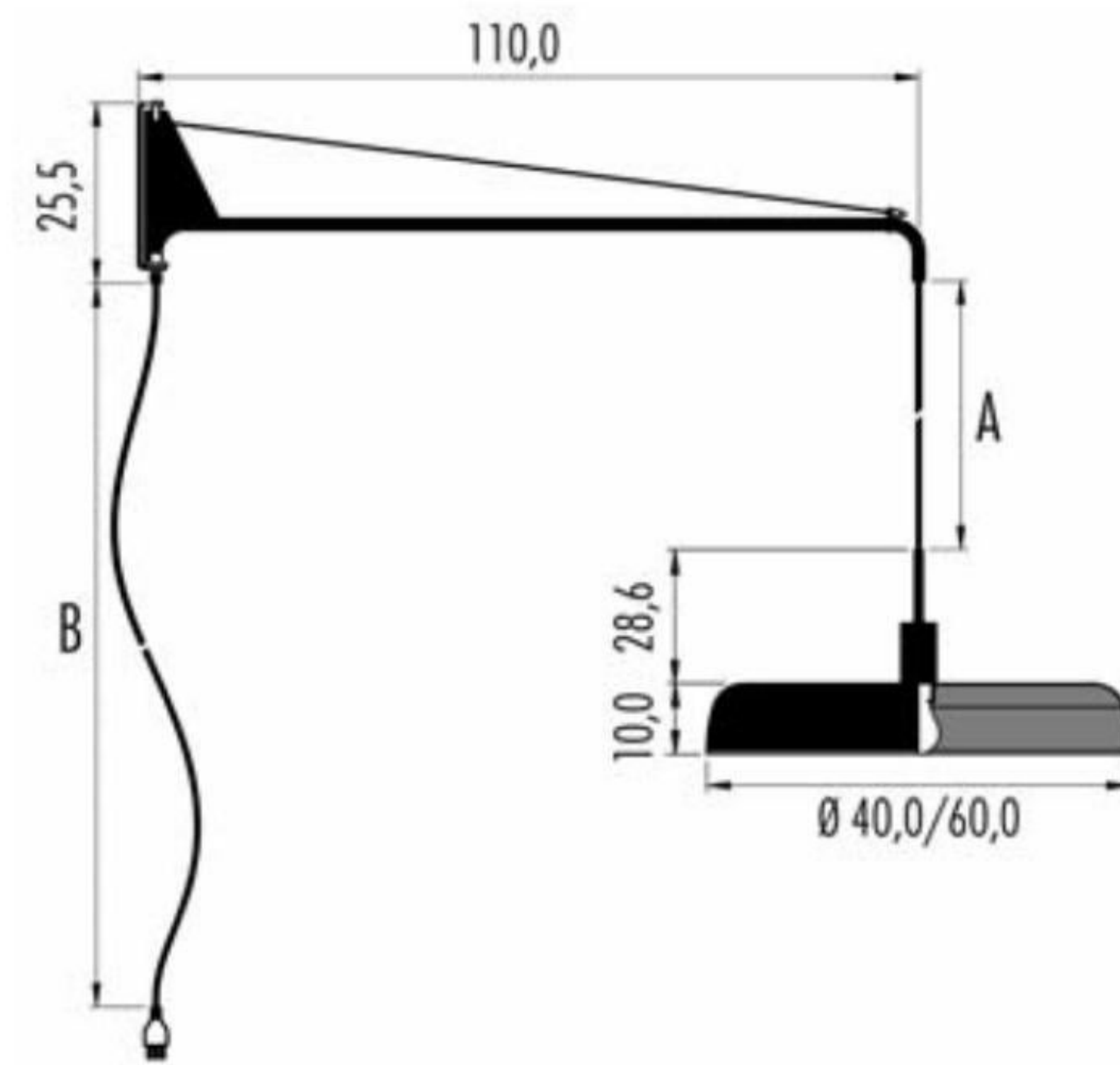
Wire/Cavo:
Copper - Rame
Bulb/Lampadina:
Transparent - Trasparente



Kit Cable for MoMa composition - Kit cavo per composizione MoMa
1KIT.300.C Copper - Rame L. 300cm

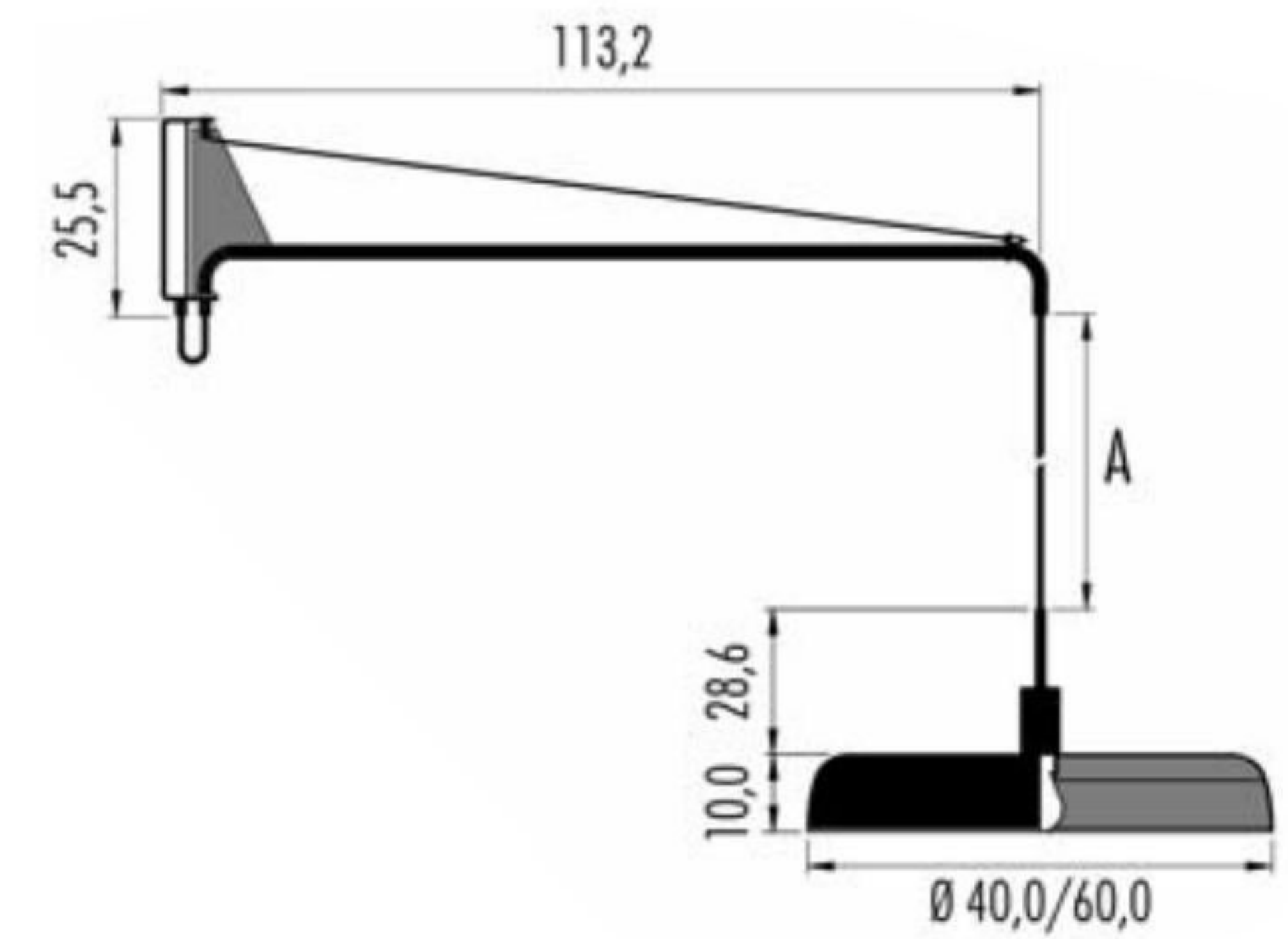


MoMa L bi-color



IP20	Ⓛ	A+B=300cm	CE	▽
220-240V	e27	4W CRI>80	dimnable IGBT - Triac	
3M40L.12L.	□	Ø 40cm		
3M60L.12L.	□	Ø 60cm		
<i>Led color</i>		<i>Nominal lm</i>	<i>Beam spread</i>	
2700K		470	163°	

MoMa M bi-color



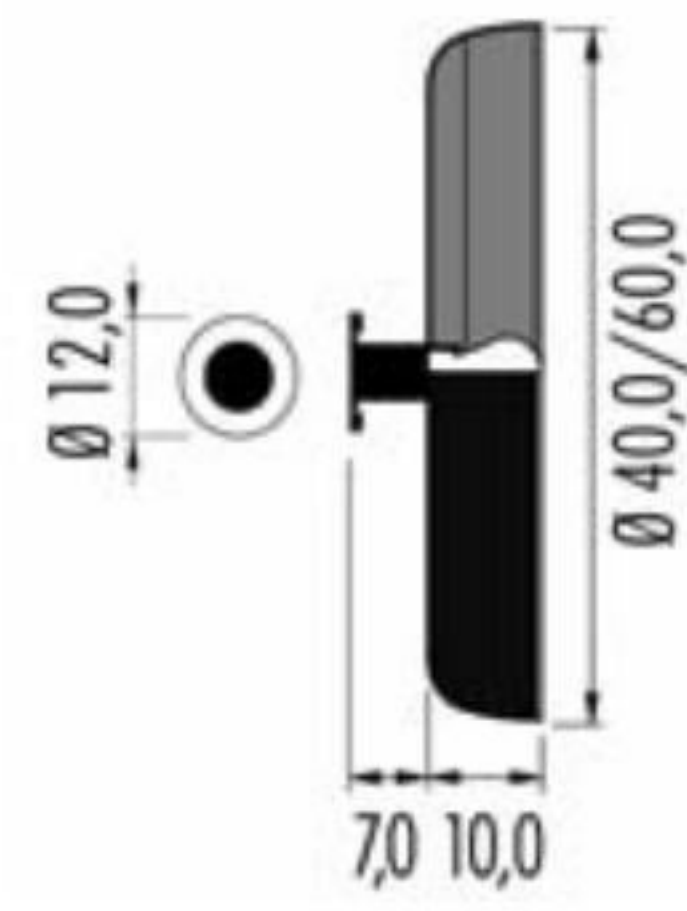
IP20	Ⓛ	A=130cm	CE	▽
220-240V	e27	4W CRI>80	dimnable IGBT - Triac	
3M40M.12L.	□	Ø 40cm		
3M60M.12L.	□	Ø 60cm		
<i>Led color</i>		<i>Nominal lm</i>	<i>Beam spread</i>	
2700K		470	163°	

□	Out	In	Diffuser - Diffusore	Frame - Struttura
KC	●	●	Black/Copper - Nero/Rame	Black - Nero
WC	○	●	White/Copper - Bianco/Rame	White - Bianco
BC	●	●	Blue/Copper - Blu/Rame	Blue - Blu
GC	●	●	Green/Copper - Verde/Rame	Green - Verde
PC	●	●	Rose/Copper - Rosa/Rame	Rose - Rosa
RC	●	●	Red/Copper - Rosso/Rame	Red - Rosso

<i>Wire/Cavo</i>	<i>Bulb/Lampadina</i>
Copper - Rame	Transparent - Trasparente



MoMa P *bi-color*
wall/parete



IP20

CE

220-240V e27

7W CRI>80

dimmable IGBT - Triac

3M40P.12L.

Ø 40cm

3M60P.12L.

Ø 60cm

Led color

2700K

Nominal lm

806

Beam spread

163°

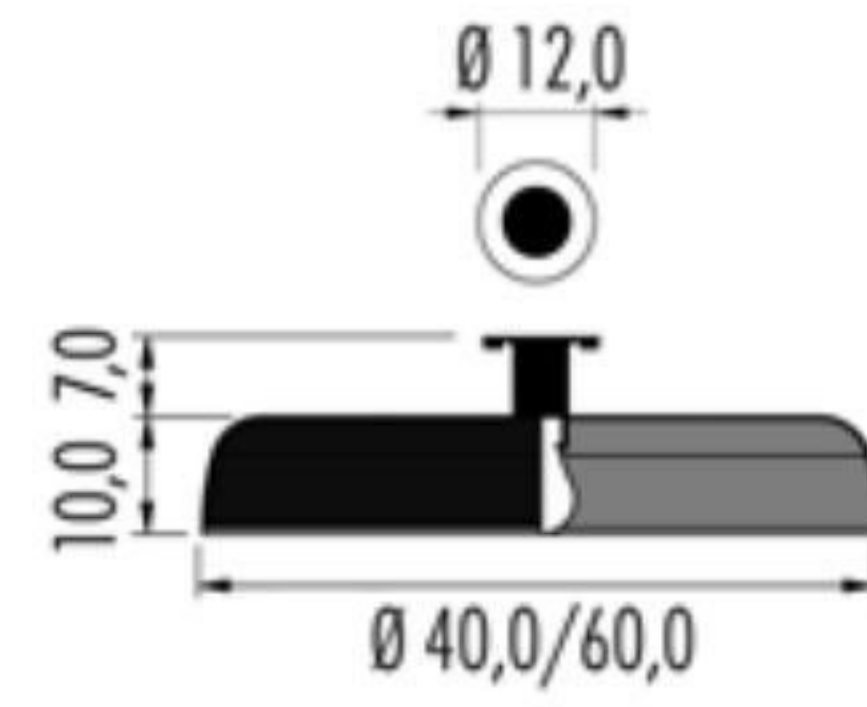
<input type="checkbox"/>	<i>Out</i>	<i>In</i>	<i>Diffuser - Diffusore</i>	<i>Bulb - Lampadina</i>
KC			Black/Copper - Nero/Rame	
WC			White/Copper - Bianco/Rame	
BC			Blue/Copper - Blu/Rame	
GC			Green/Copper - Verde/Rame	
PC			Rose/Copper - Rosa/Rame	
RC			Red/Copper - Rosso/Rame	

Bulb/Lampadina:

Mirror copper - Specchiata rame



MoMa W *bi-color*
ceiling - plafone

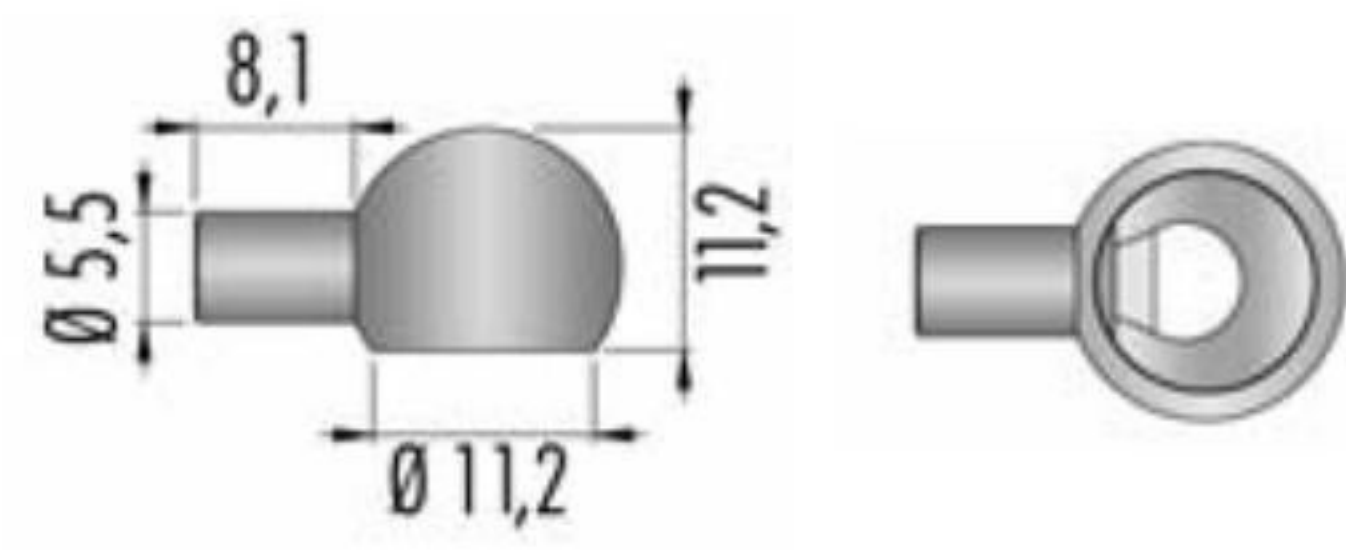


IP20	Ⓛ		CE	▽
220-240V	e27	4W CRI>80	dimmable IGBT - Triac	
3M40W.12L.	<input type="checkbox"/>	Ø 40cm		
3M60W.12L.	<input type="checkbox"/>	Ø 60cm		
<i>Led color</i>		<i>Nominal lm</i>	<i>Beam spread</i>	
2700K		470	163°	

<input type="checkbox"/>	Out	In	Diffuser - Diffusore	Bulb - Lampadina
KC	●	●	Black/Copper - Nero/Rame	● Transparent
WC	●	●	White/Copper - Bianco/Rame	● Transparent
BC	●	●	Blue/Copper - Blu/Rame	● Transparent
GC	●	●	Green/Copper - Verde/Rame	● Transparent
PC	●	●	Rose/Copper - Rosa/Rame	● Transparent
RC	●	●	Red/Copper - Rosso/Rame	● Transparent



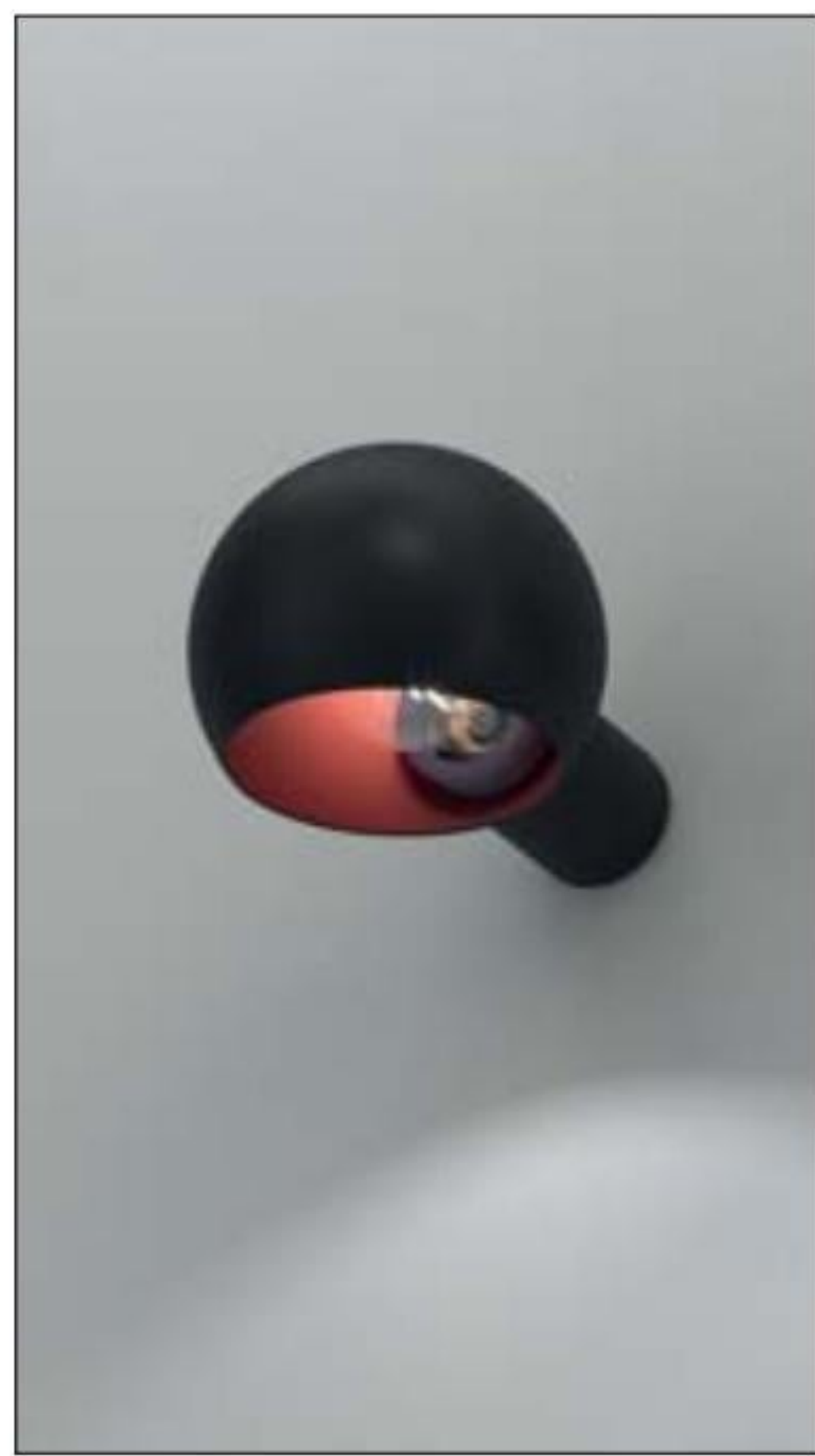
Nelly



IP20	Ⓛ	CE	▽
220-240V	e27 4W	CRI>80	
3N01.12L. □	dimm. IGBT - Triac		
<i>Led color</i>	<i>Nominal lm</i>	<i>Beam spread</i>	
2700K	470	40°	

□	Out	In	Diffuser - Diffusore
KC	●	●	Black/Copper - Nero/Rame
WC	○	●	White/Copper - Bianco/Rame
BC	●	●	Blue/Copper - Blu/Rame
GC	●	●	Green/Copper - Verde/Rame
PC	●	●	Rose/Copper - Rosa/Rame
RC	●	●	Red/Copper - Rosso/Rame

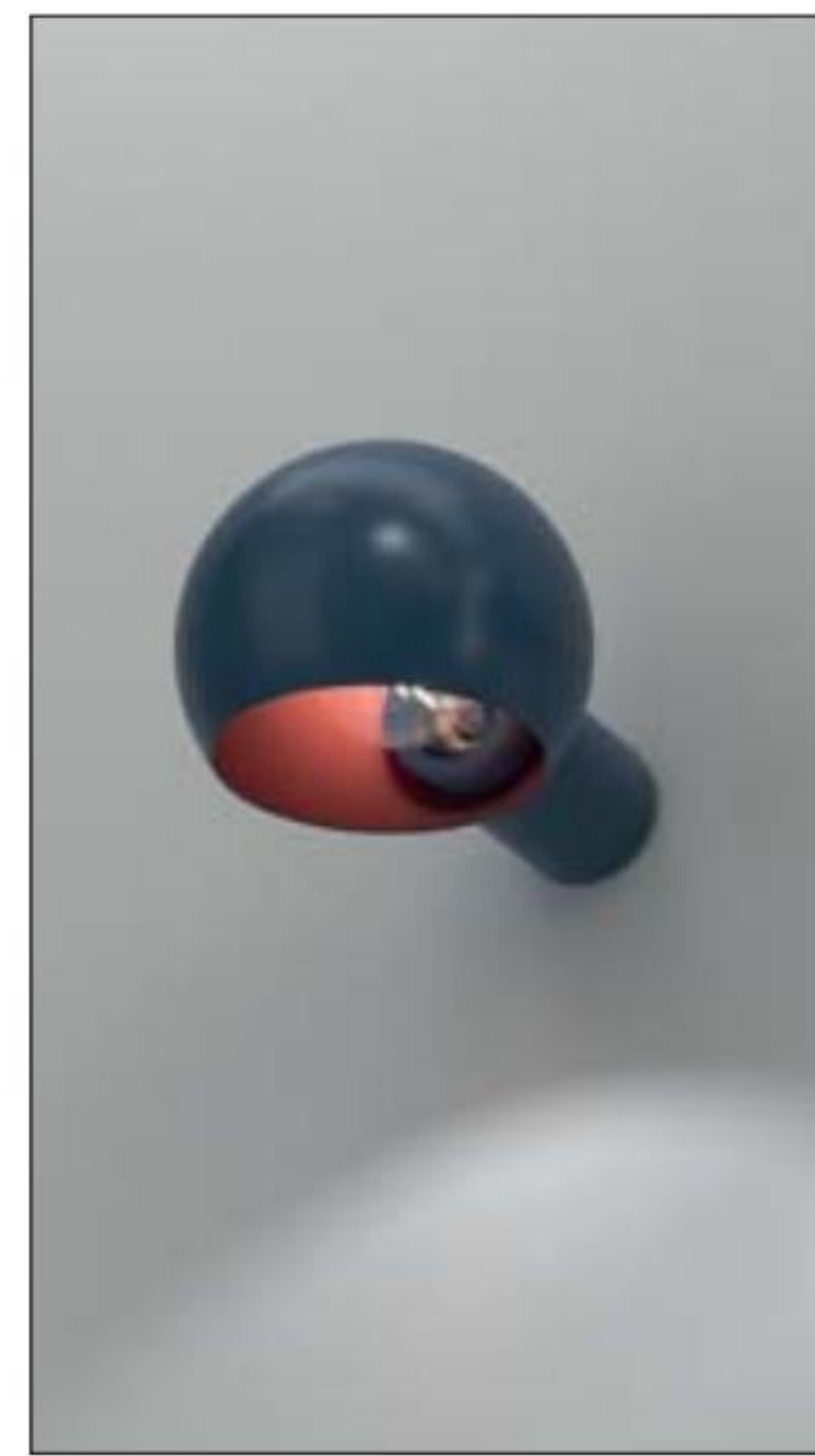




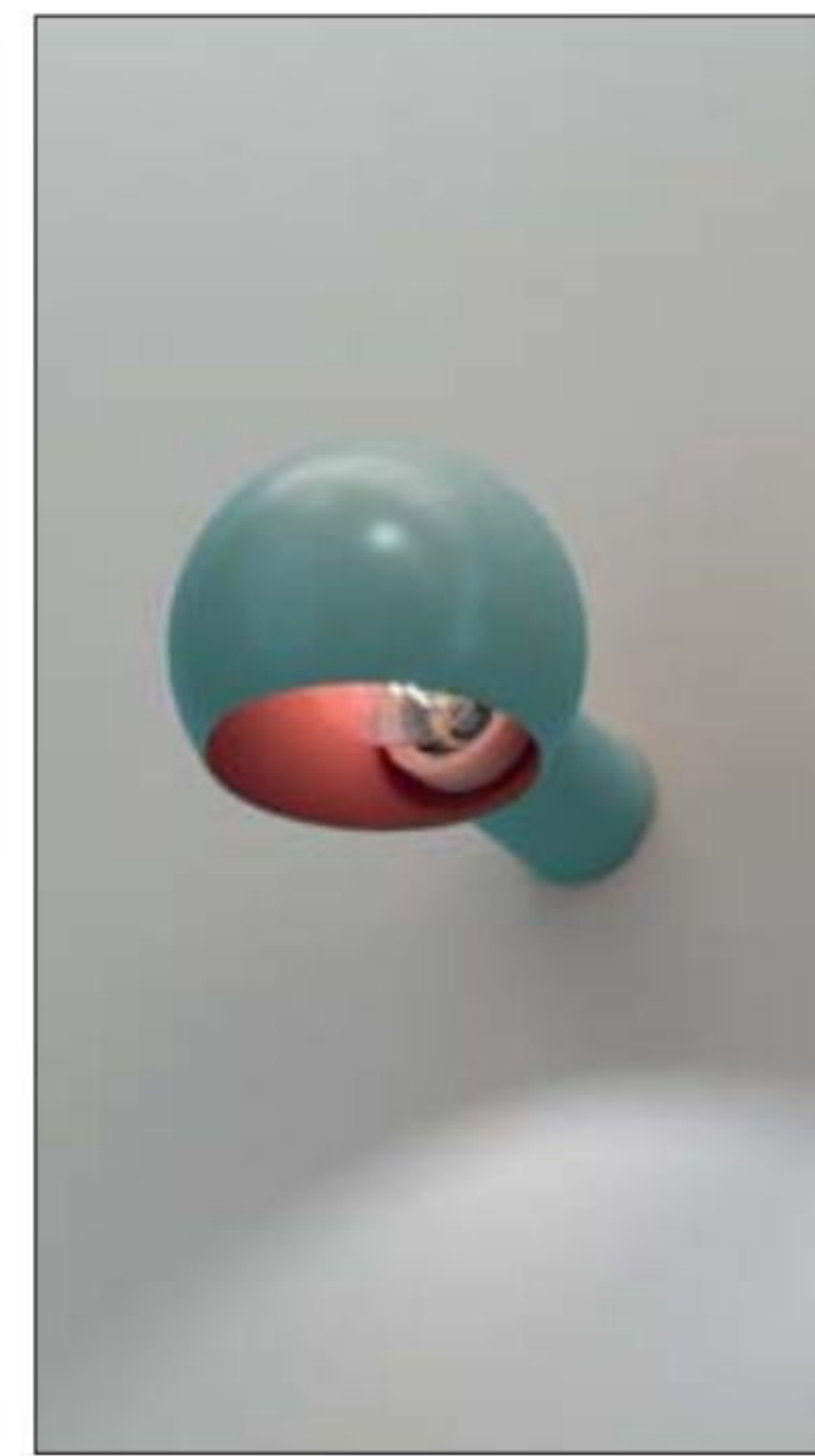
KC Black/Copper - Nero/Rame



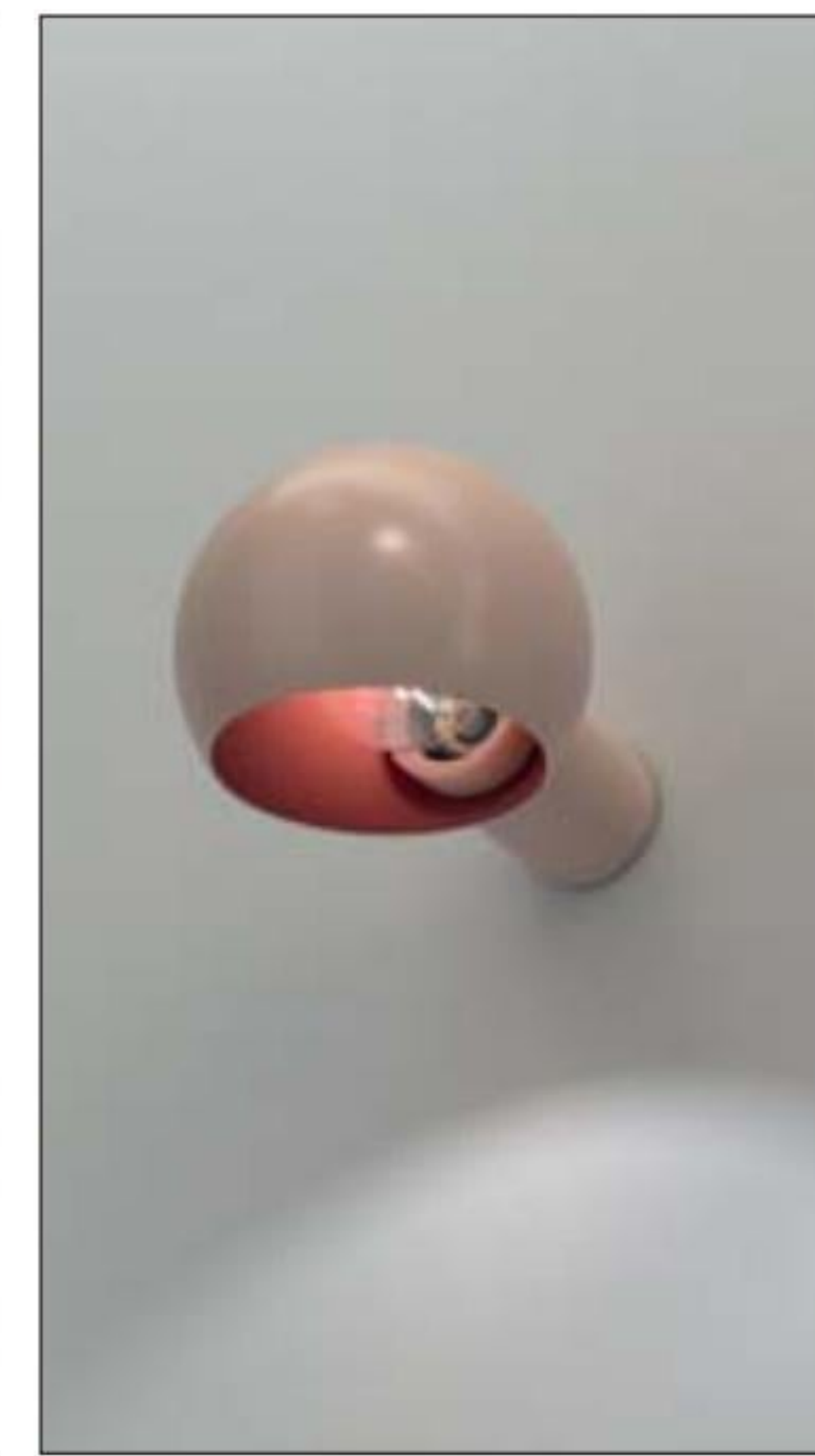
WC White/Copper - Bianco/Rame



BC Blue/Copper - Blu/Rame



GC Green/Copper - Verde/Rame



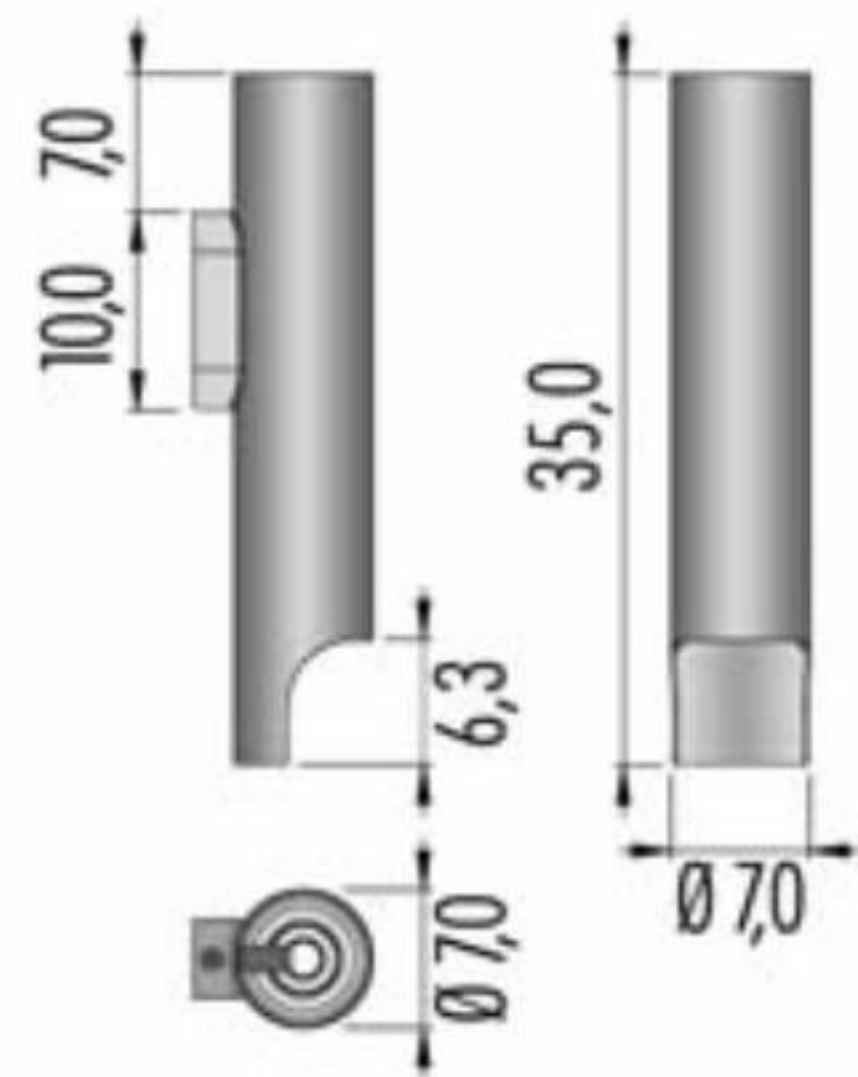
PC Rose/Copper - Rosa/Rame



RC Red/Copper - Rosso/Rame



Nemo



IP20	Flicker < 20%	CE ∇ MC-E=3
220-240V	9,5W CRI>90	dim. IGBT - TRIAC
4N05.K2S. □	<i>With honeycomb</i>	
<i>Led color</i>	<i>Nominal lm</i>	<i>Beam spread</i>
2700K	710	24°

□	Out	In	Diffuser - Diffusore
KC	●	●	Black/Copper - Nero/Rame
WC	●	●	White/Copper - Bianco/Rame
BC	●	●	Blue/Copper - Blu/Rame
GC	●	●	Green/Copper - Verde/Rame
PC	●	●	Rose/Copper - Rosa/Rame
RC	●	●	Red/Copper - Rosso/Rame





KC Black/Copper - Nero/Rame



WC White/Copper - Bianco/Rame



BC Blue/Copper - Blu/Rame



GC Green/Copper - Verde/Rame



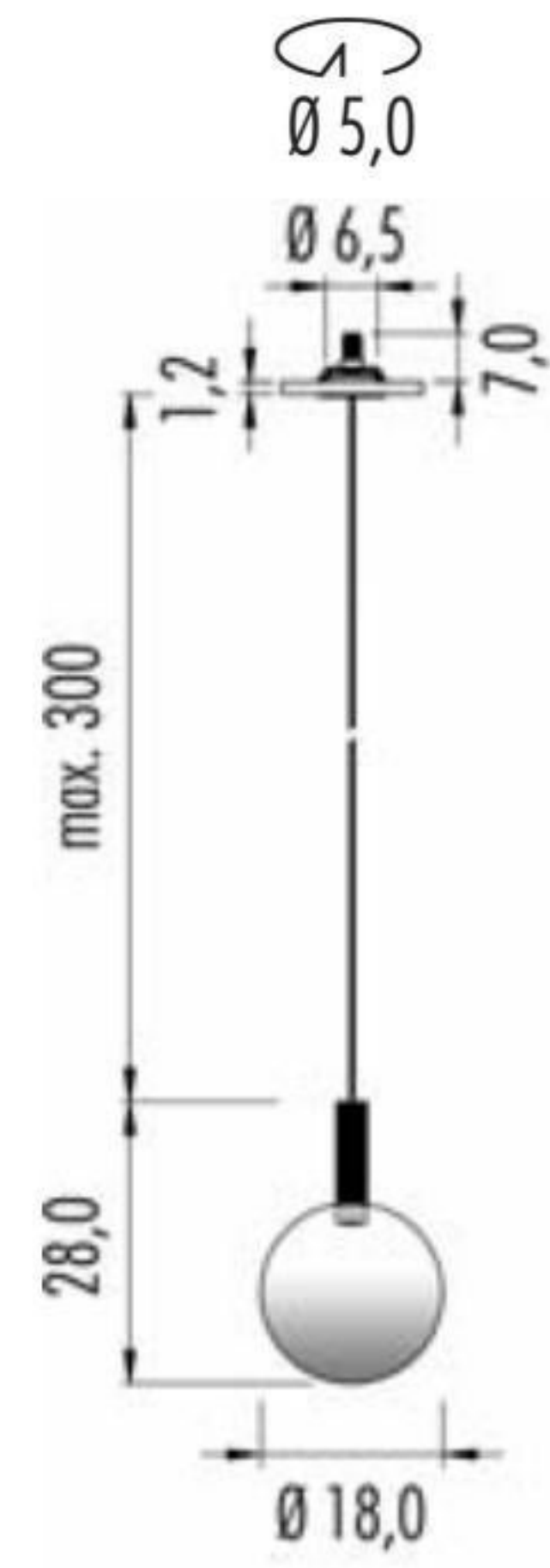
PC Rose/Copper - Rosa/Rame



RC Red/Copper - Rosso/Rame



Pop Bijou

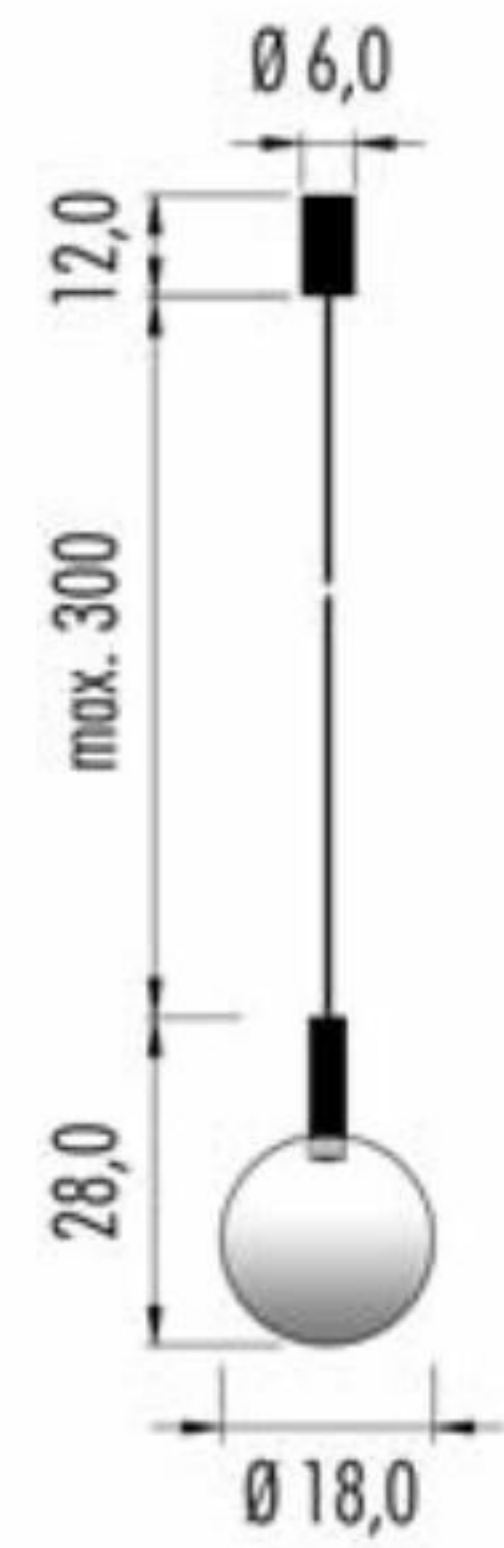


IP40 © **ARC** CE ∇
 220-240V 6W CRI>90 dimmable IGBT - Triac

3BUA.2 ■ S. □

■ Led color	Nominal lm	Beam spread
2 = 2700K	528	25°
3 = 3000K	552	

ARC canopy - rosone: White - Bianco



IP40 © **CUP** CE ∇
 220-240V 6W CRI>90 on/off

3BUC.2 ■ S. □

■ Led color	Nominal lm	Beam spread
2 = 2700K	528	25°
3 = 3000K	552	

CUP canopy - rosone: Black - Nero

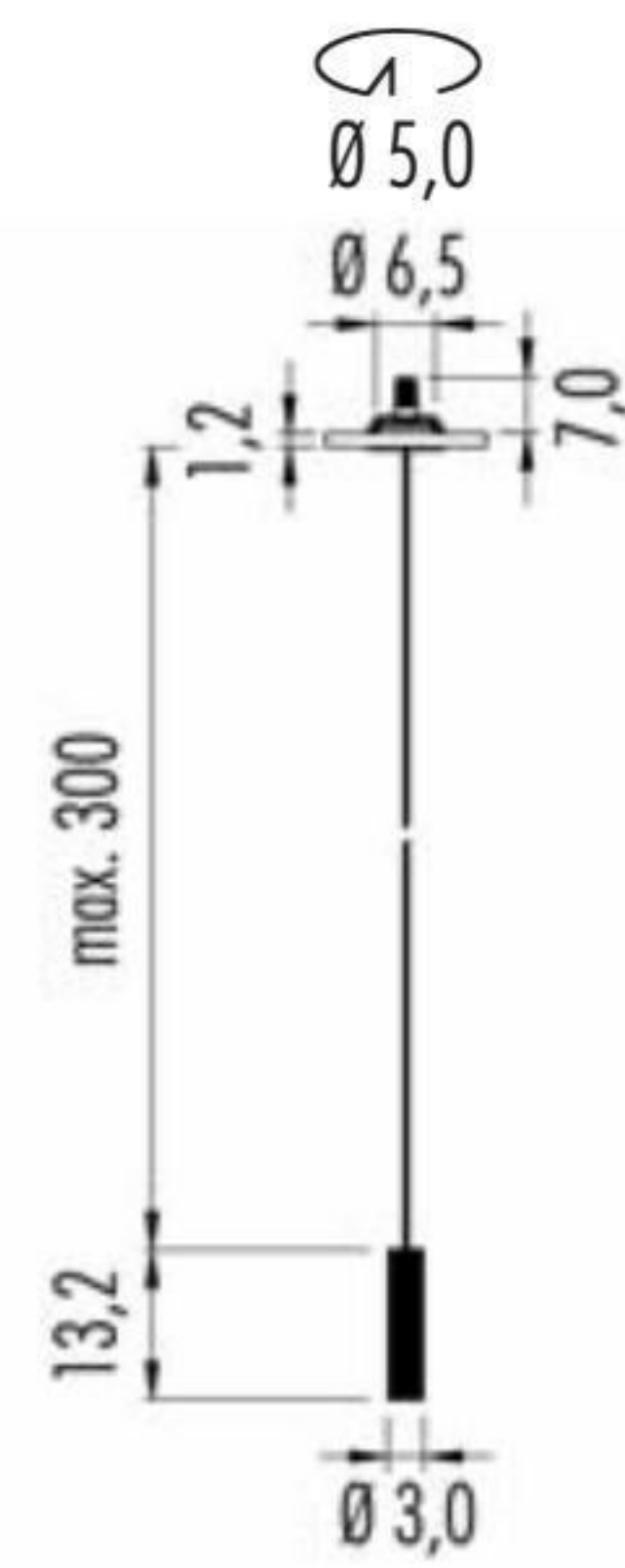
□ Cylinder - Cilindro

- 02 ● Black - Nero
- 06 ○ White - Bianco
- C1 ● Copper Anodized - Rame anodizzato
- S1 ● Brass Anodized - Ottone anodizzato

Black power supply cable.
 Cavo di alimentazione, nero.



Pop C'est Moi

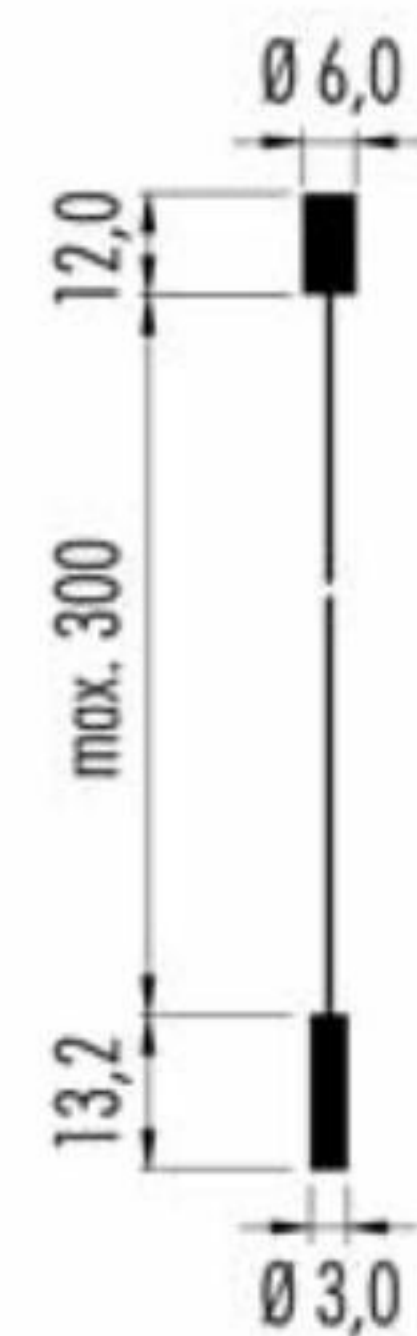


IP20 ©	ARC	CE ▽
220-240V	6W CRI>90	dimnable IGBT - Triac

3CMA.2 ■ S. □

■ Led color	Nominal lm	Beam spread
2 = 2700K	528	20°
3 = 3000K	552	

ARC canopy - rosone: White - Bianco



IP20 ©	CUP	CE ▽
220-240V	6W CRI>90	on/off

3CMC.2 ■ S. □

■ Led color	Nominal lm	Beam spread
2 = 2700K	528	20°
3 = 3000K	552	

look at table - vedi tabella

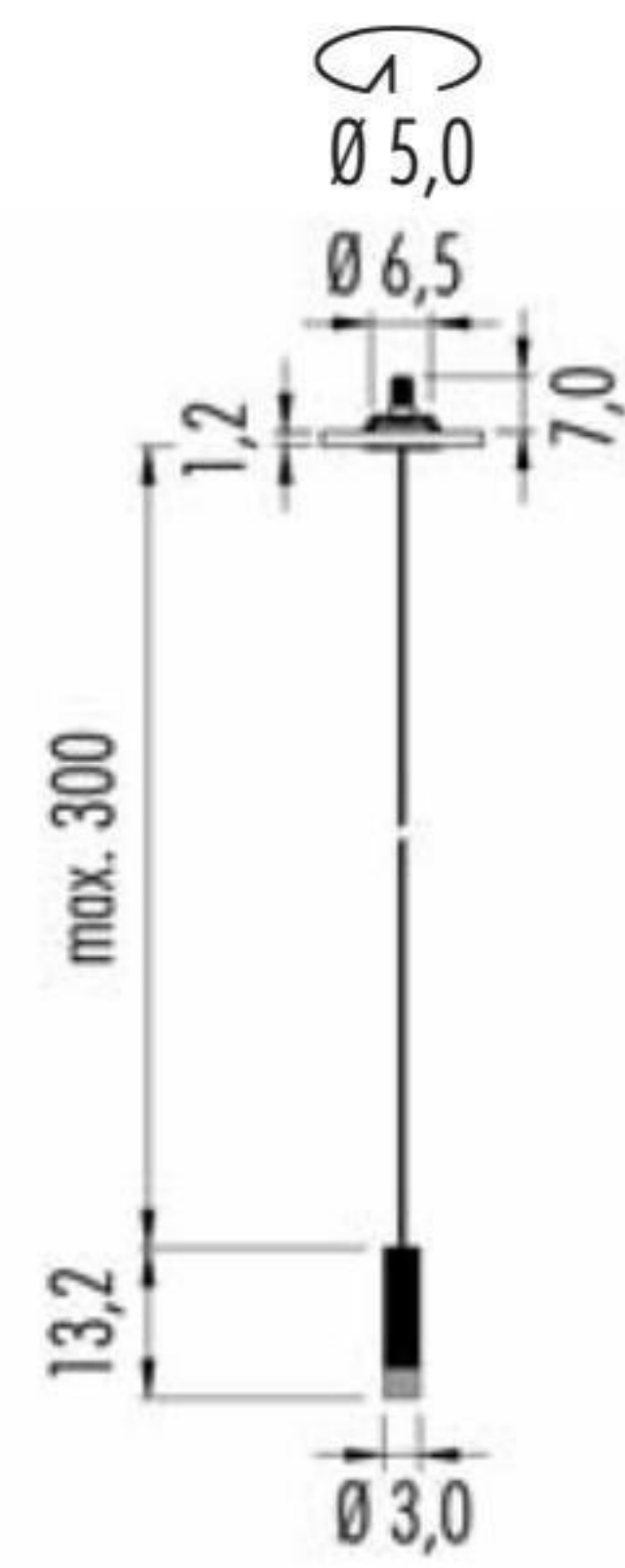
□ Frame - Struttura CUP - Rosone

02 ●	Black - Nero	Black - Nero
06 ○	White - Bianco	White - Bianco

Black power supply cable.
Cavo di alimentazione, nero.



Pop C'est Toi



IP20 © **ARC** CE

220-240V 6W CRI>90 dimmable IGBT - Triac

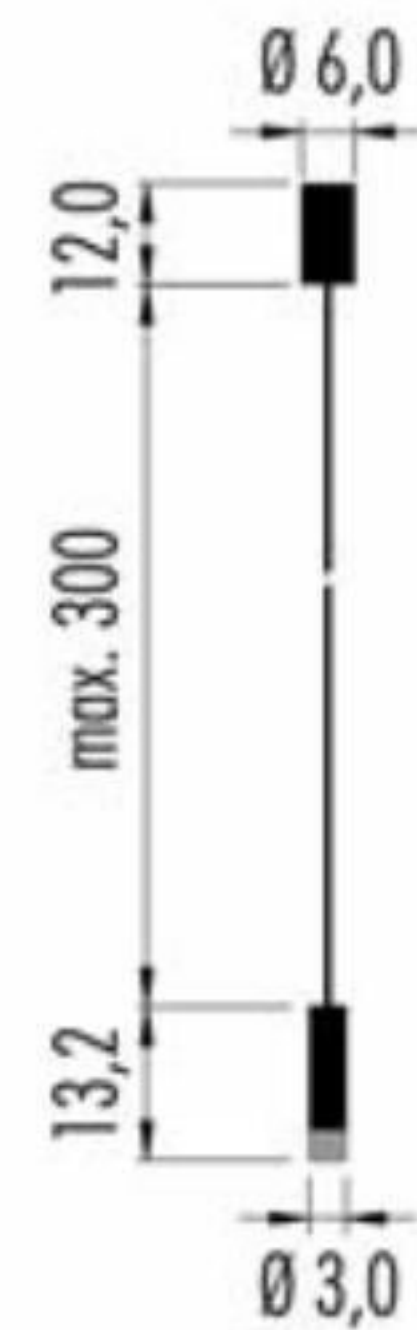
3CTA.2 ■ S. □

■ *Led color* *Nominal lm* *Beam spread*

2 = 2700K 528 20°

3 = 3000K 552

ARC canopy - rosone: White - Bianco



IP20 © **CUP** CE

220-240V 6W CRI>90 on/off

3CTC.2 ■ S. □

■ *Led color* *Nominal lm* *Beam spread*

2 = 2700K 528 20°

3 = 3000K 552

CUP canopy - rosone: Black - Nero

□ *Cylinder - Cilindro*

02 ● Black - Nero

06 ○ White - Bianco

C1 ● Copper Anodized - Rame anodizzato

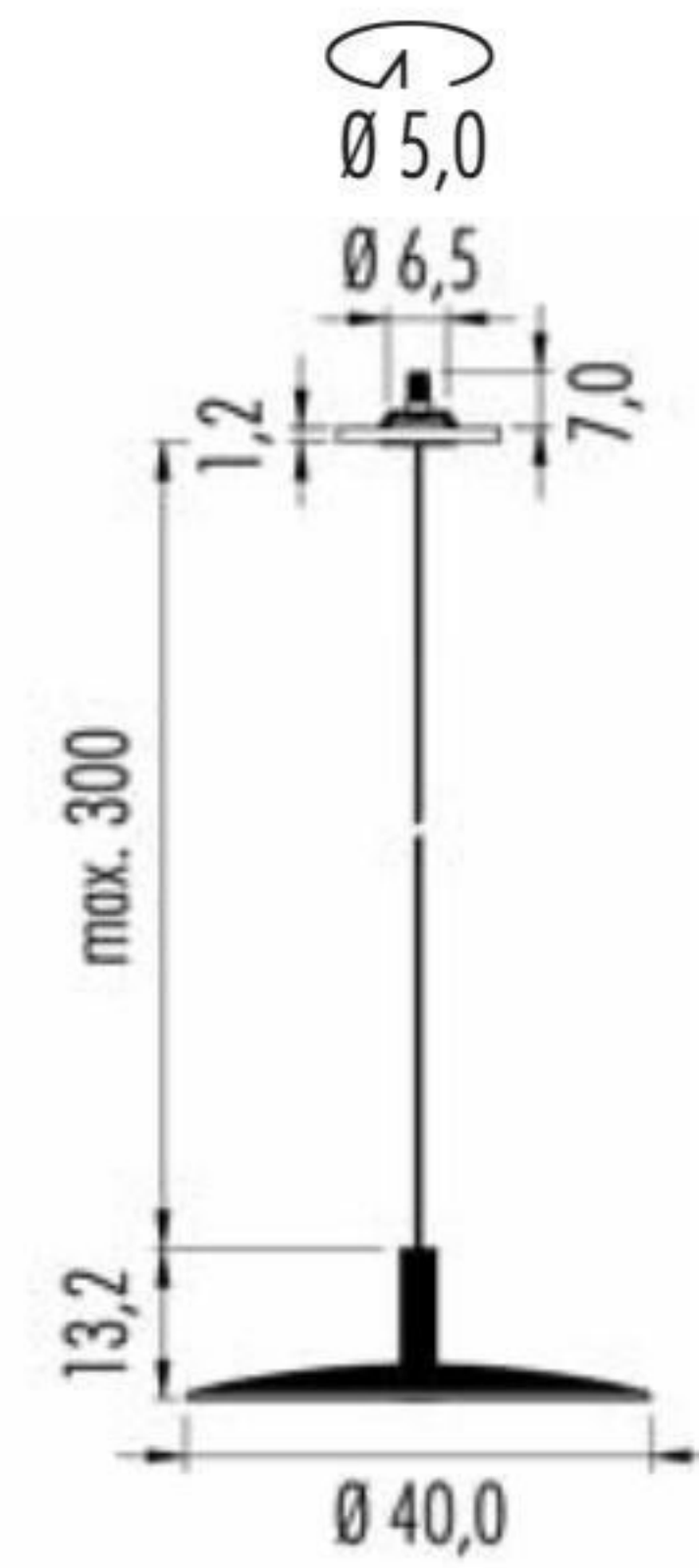
S1 ● Brass Anodized - Ottone anodizzato

Black power supply cable.

Cavo di alimentazione, nero.



Pop Chapeau

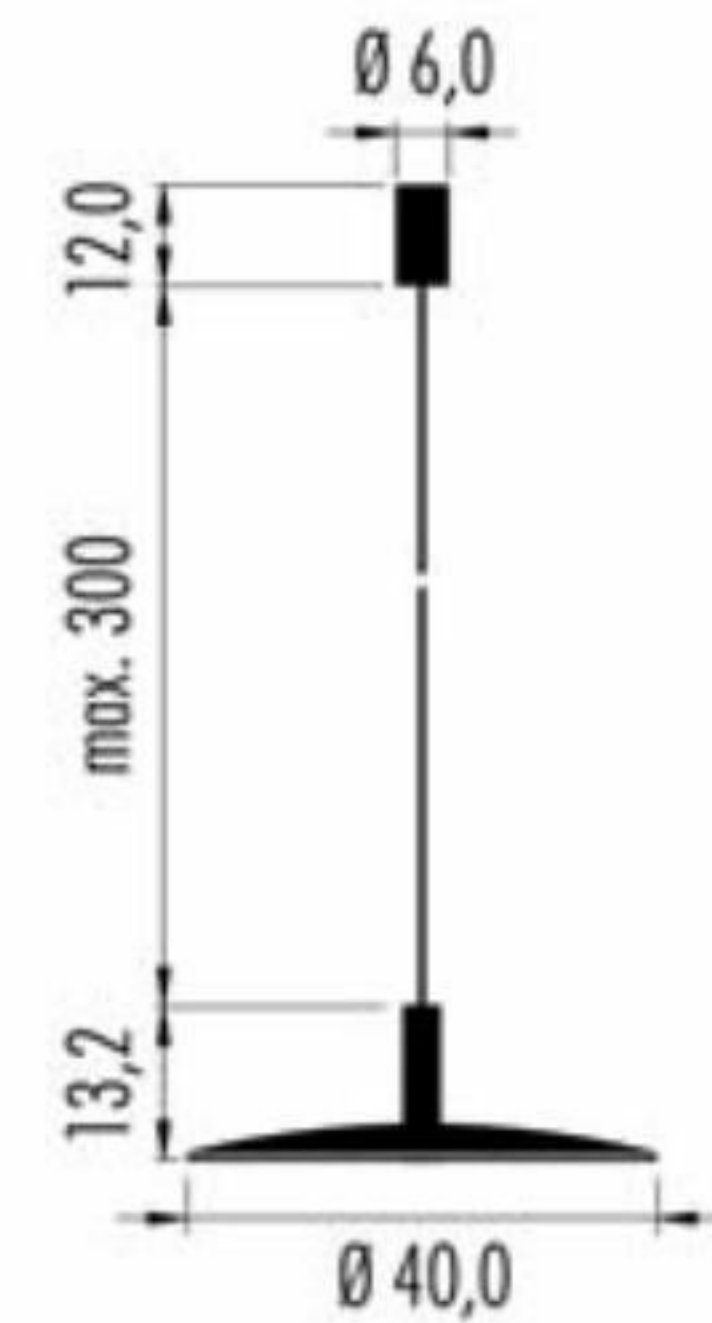


IP20 ©	ARC	CE ▽
220-240V	6W CRI>90	dimnable IGBT - Triac

3CHA.2 ■ S. □

■ Led color	Nominal lm	Beam spread
2 = 2700K	528	20°
3 = 3000K	552	

ARC canopy - rosone: White - Bianco



IP20 ©	CUP	CE ▽
220-240V	6W CRI>90	on/off

3CHC.2 ■ S. □

■ Led color	Nominal lm	Beam spread
2 = 2700K	528	20°
3 = 3000K	552	

CUP canopy - rosone: Black - Nero

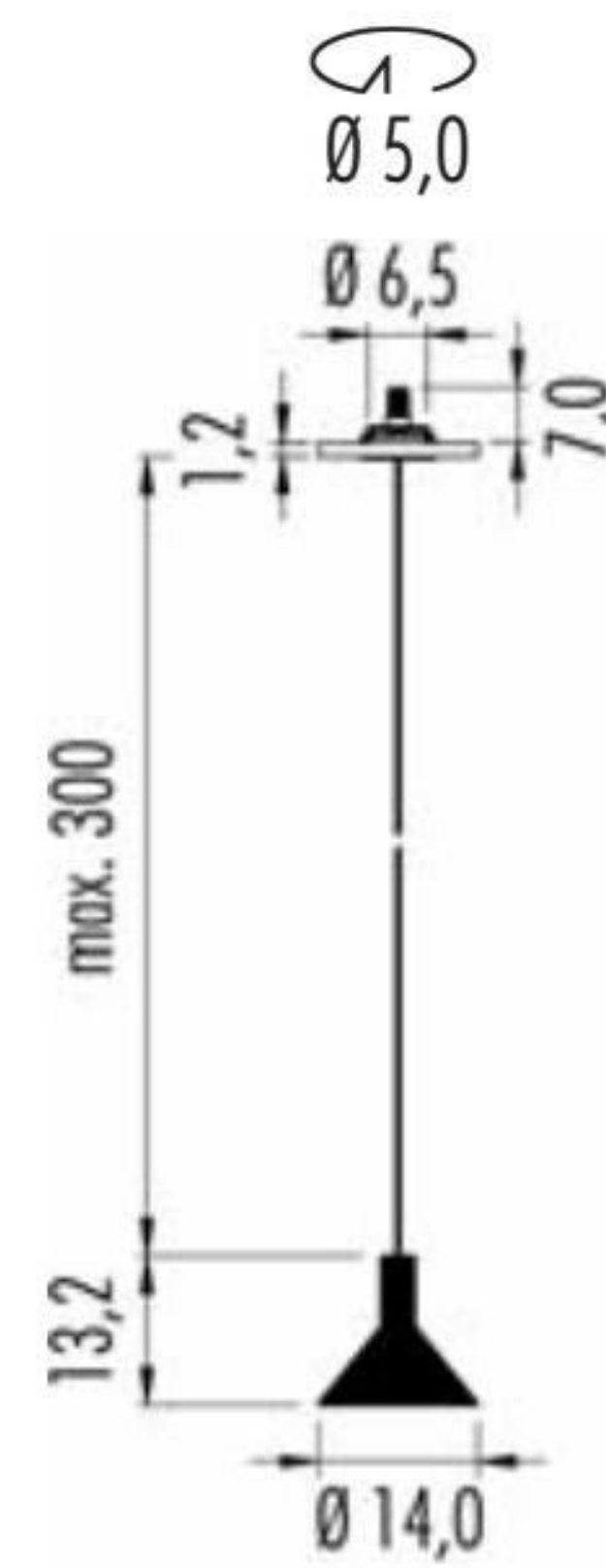
□ Up Down

02	● ●	Black/Black - Nero/Nero
06	○ ○	White/White - Bianco/Bianco
C1K	● ●	Copper Anodized/Black - Rame anodizzato/Nero
C1W	● ○	Copper Anodized/White - Rame anodizzato/Bianco
S1K	● ●	Brass Anodized/Black - Ottone anodizzato/Nero
S1W	● ○	Brass Anodized/White - Ottone anodizzato/Bianco

Black power supply cable.
Cavo di alimentazione, nero.



Pop Chérie

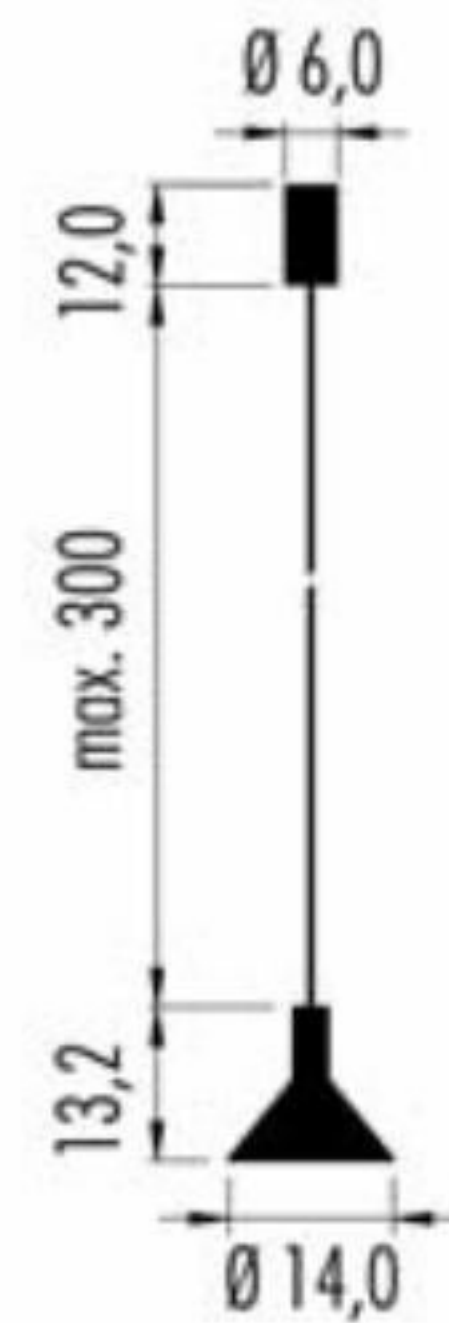


IP20 ©	ARC	CE ▽
220-240V	6W CRI>90	dimnable IGBT - Triac

3CEA.2 ■ S. □

■ Led color	Nominal lm	Beam spread
2 = 2700K	528	20°
3 = 3000K	552	

ARC canopy - rosone: White - Bianco



IP20 ©	CUP	CE ▽
220-240V	6W CRI>90	on/off

3CEC.2 ■ S. □

■ Led color	Nominal lm	Beam spread
2 = 2700K	528	20°
3 = 3000K	552	

look at table - vedi tabella

□ Frame - Struttura CUP - Rosone

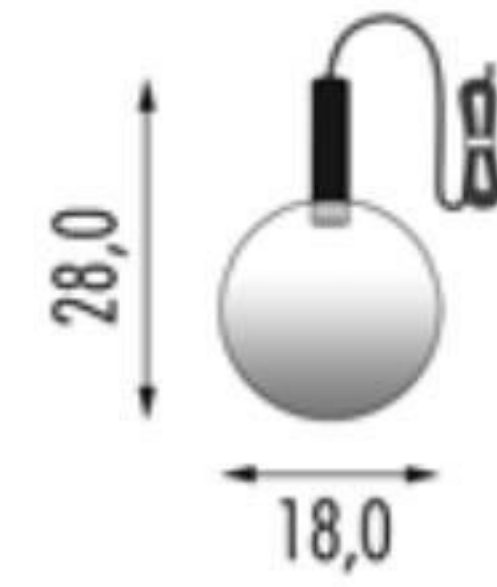
02 ● Black - Nero Black - Nero
06 ○ White - Bianco White - Bianco

Black power supply cable.
Cavo di alimentazione, nero.



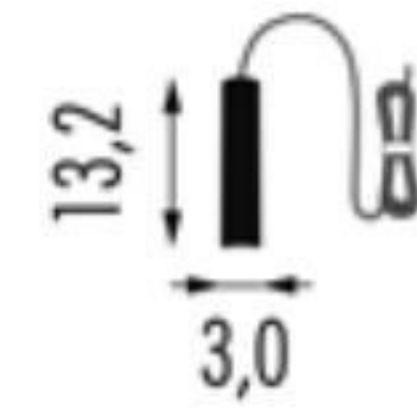
Filo System: 500 m/A

Pop Bijou



IP40	CE	CE	∇
500 m/A	6W	CRI>90	
3BU1.2 S.□	12m Cable		
3BU2.2 S.□	22m Cable		
■ Led color	Nominal lm	Beam spread	
2 = 2700K	528	25°	
3 = 3000K	552		

Pop C'est Moi



IP20	CE	CE	∇
500 m/A	6W	CRI>90	
3CM1.2 S.□	12m Cable		
3CM2.2 S.□	22m Cable		
■ Led color	Nominal lm	Beam spread	
2 = 2700K	528	20°	
3 = 3000K	552		

Pop C'est Toi



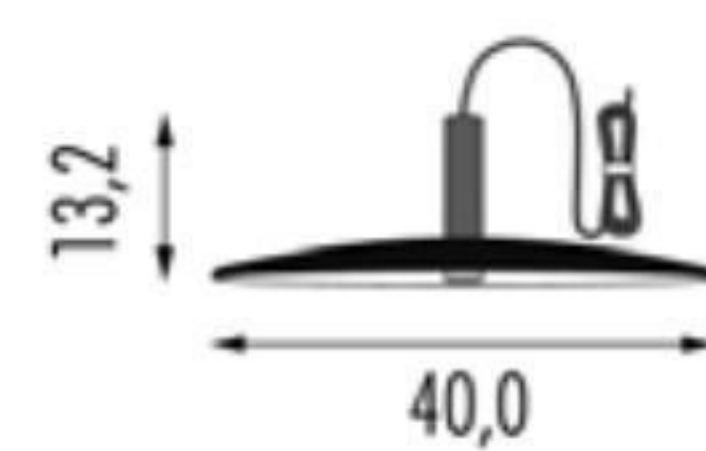
IP20	CE	CE	∇
500 m/A	6W	CRI>90	
3CT1.2 S.□	12m Cable		
3CT2.2 S.□	22m Cable		
■ Led color	Nominal lm	Beam spread	
2 = 2700K	528	20°	
3 = 3000K	552		

Pop Chérie



IP40	CE	CE	∇
500 m/A	6W	CRI>90	
3CE1.2 S.□	12m Cable		
3CE2.2 S.□	22m Cable		
■ Led color	Nominal lm	Beam spread	
2 = 2700K	528	20°	
3 = 3000K	552		

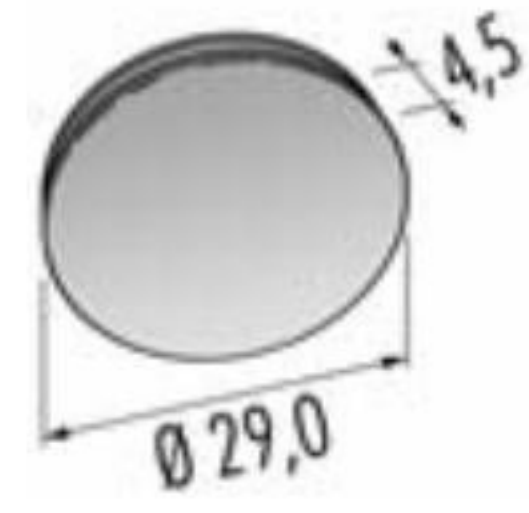
Pop Chapeau



IP20	CE	CE	∇
500 m/A	6W	CRI>90	
3CH1.2 S.□	12m Cable		
3CH2.2 S.□	22m Cable		
■ Led color	Nominal lm	Beam spread	
2 = 2700K	528	20°	
3 = 3000K	552		





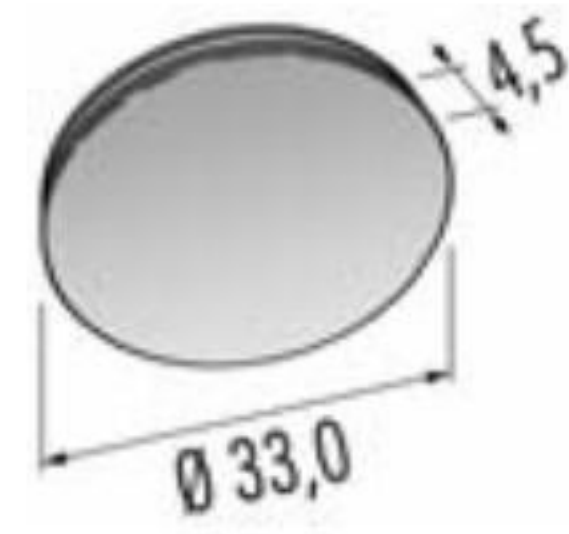


CUP Canopy © min. 3 max 12 diffusers Black - Nero

3FL5.029.02 on/off

3FL5.C29.02 0/1...10V

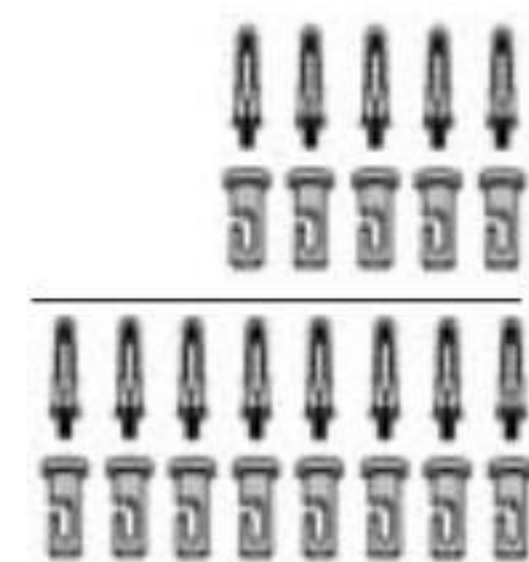
3FL5.F29.02 DALI - Push



CUP Canopy © min. 6 max 24 diffusers Black - Nero

3FL5.033.02 On/off

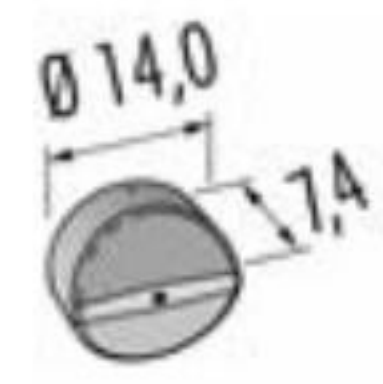
3FL5.E33.02 DALI - Push - 0/1...10V



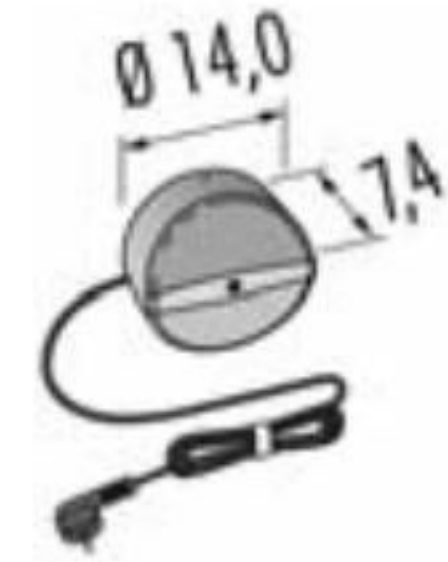
Mounting supports - Supporti di fissaggio Sistema Filo

1KIT.WM5.02 5 units Black - Nero

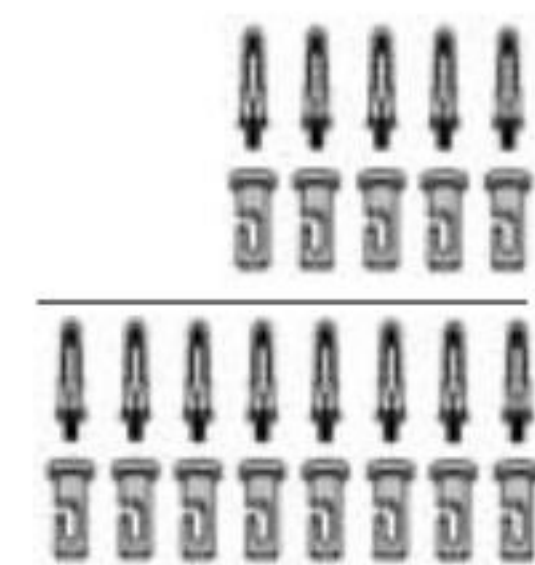
1KIT.WM8.02 8 units Black - Nero



CUP Canopy © for max 2 diffusers Black - Nero
3FL5.CUP.02 IGBT - Triac



CUP with Plug-in © for max 1 diffuser Black - Nero
3FL5.PIN.02 On/off

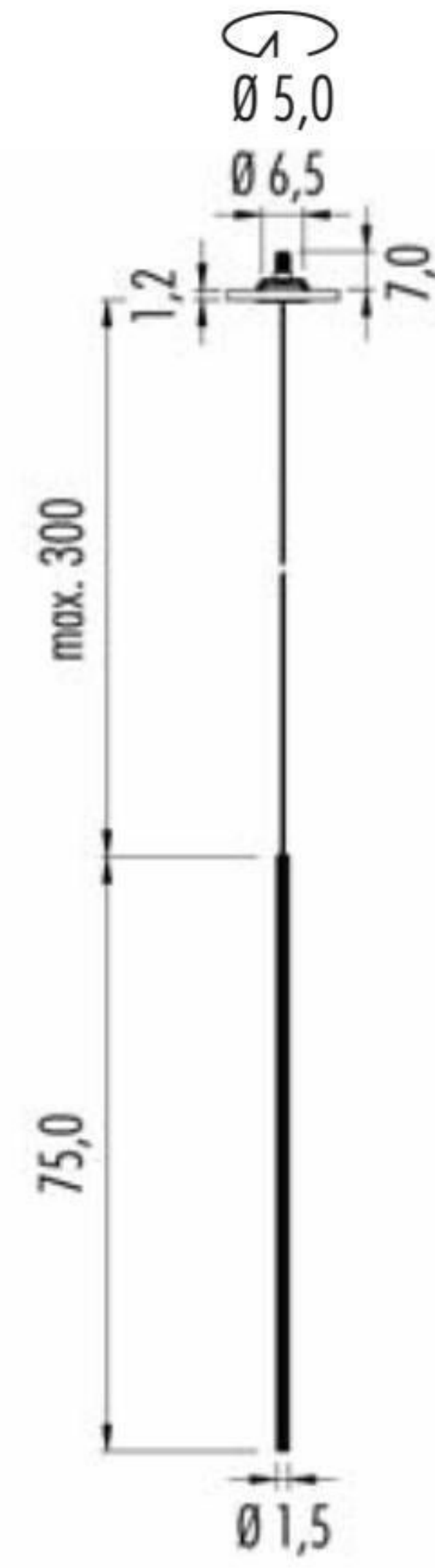


Mounting supports - Supporti di fissaggio Sistema Filo

1KIT.WM5.02 5 units Black - Nero
1KIT.WM8.02 8 units Black - Nero



Pop Petit

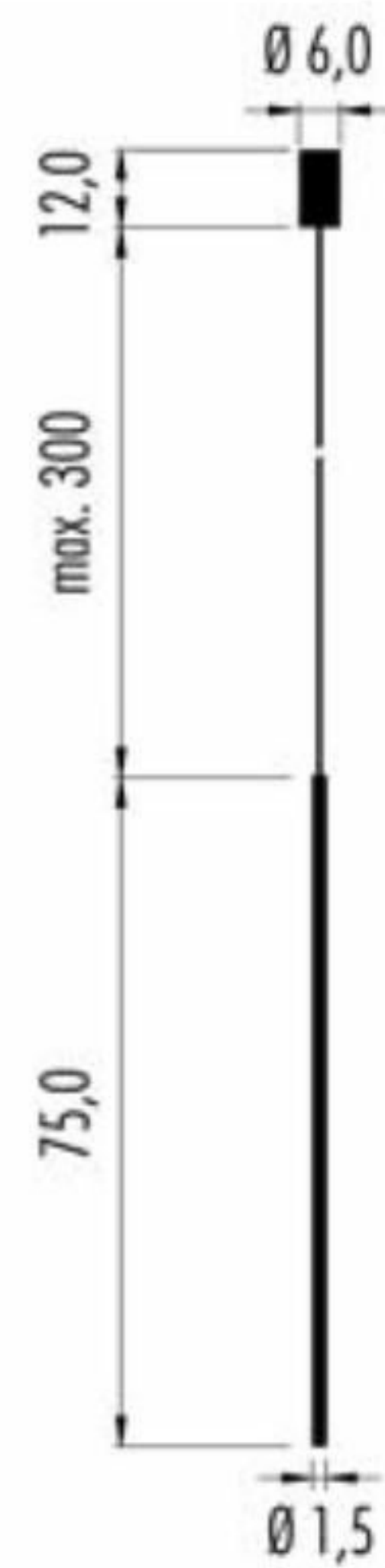


IP54 ©	ARC	CE ▽
220-240V	2,3W CRI>90	on/off

3PTA.2 ■ L. □

■ Led color	Nominal lm	Beam spread
2 = 2700K	237	60°
3 = 3000K	256	

ARC canopy - rosone: White - Bianco



IP20 ©	CUP	CE ▽
220-240V	2,3W CRI>90	on/off

3PTC.2 ■ L. □

■ Led color	Nominal lm	Beam spread
2 = 2700K	237	60°
3 = 3000K	256	

look at table - vedi tabella

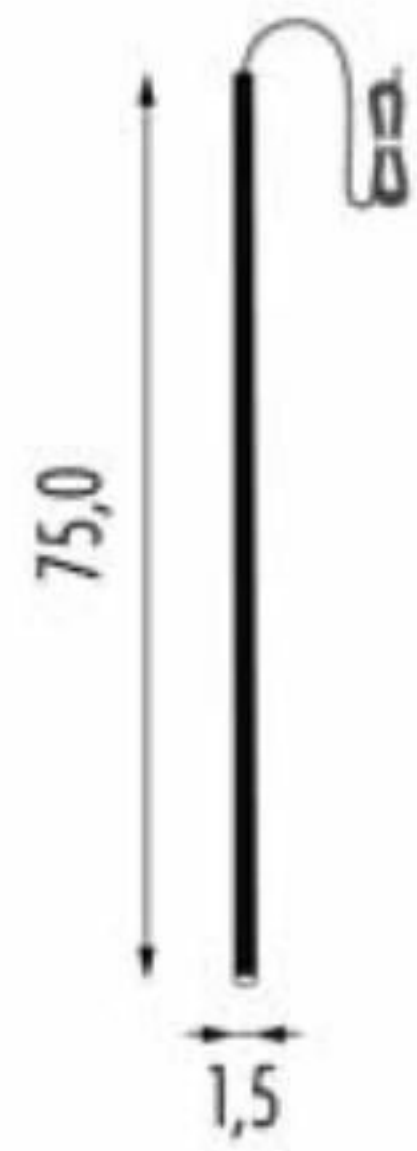
□ Frame - Struttura CUP - Rosone

02 ●	Black - Nero	Black - Nero
06 ○	White - Bianco	White - Bianco

Black power supply cable.
Cavo di alimentazione, nero.



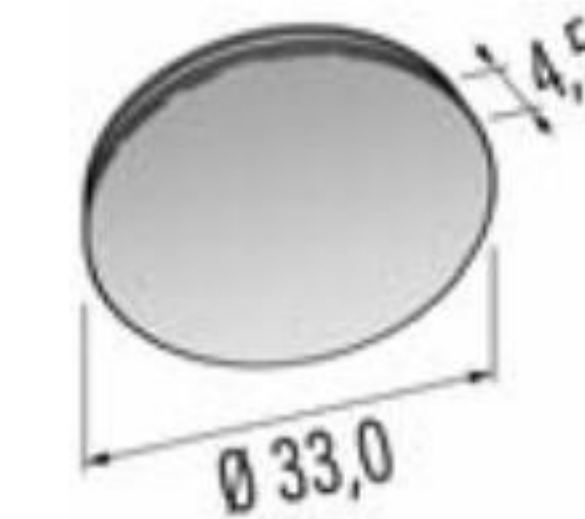
Pop Petit - Filo System: 700 m/A



IP40	CE	CE
700 m/A	2,3W	CRI>90
3PT1.2 L.□	12m Cable	
3PT2.2 L.□	22m Cable	
■ Led color	Nominal lm	Beam spread
2 = 2700K	528	60°
3 = 3000K	552	

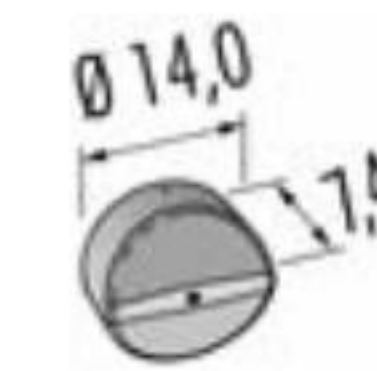


CUP Canopy © min. 3 max 12 diffusers Black - Nero
3FL7.029.02 on/off
3FL7.F29.02 DALI - Push



CUP Canopy © min. 6 max 24 diffusers Black - Nero
3FL7.033.02 On/off

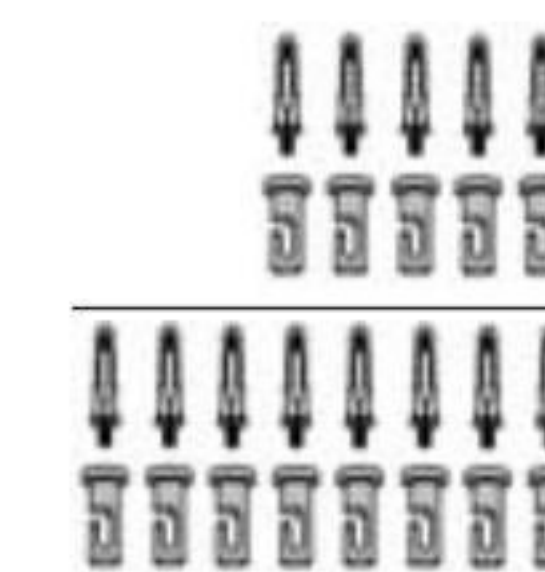
CUP Canopy © min. 3 max 24 diffusers Black - Nero
3FL7.E33.02 DALI - Push - 0/1...10V



CUP Canopy © for max 2 diffusers Black - Nero
3FL7.CUP.02 IGBT - Triac



CUP with Plug-in © for max 1 diffuser Black - Nero
3FL7.PIN.02 On/off



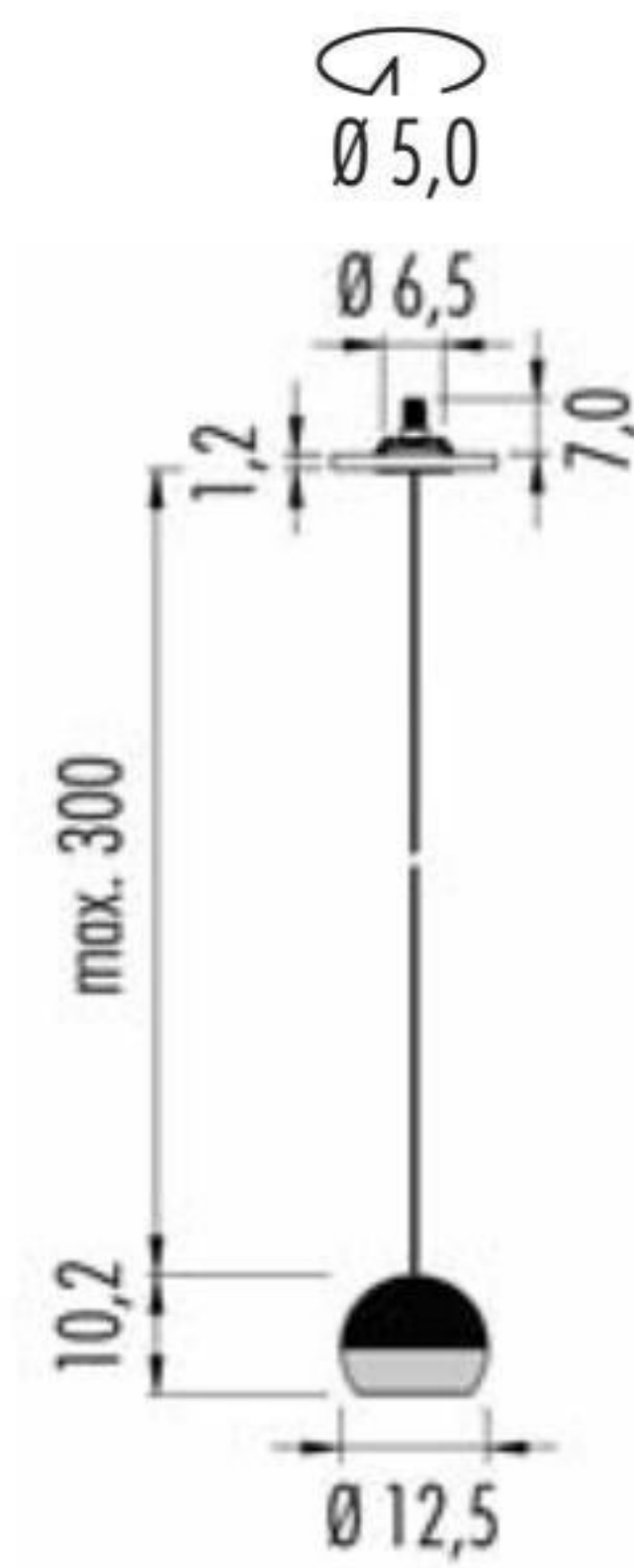
Mounting supports - Supporti di fissaggio Sistema Filo

1KIT.WM5.02 5 units Black - Nero

1KIT.WM8.02 8 units Black - Nero



Pop Bon Bon

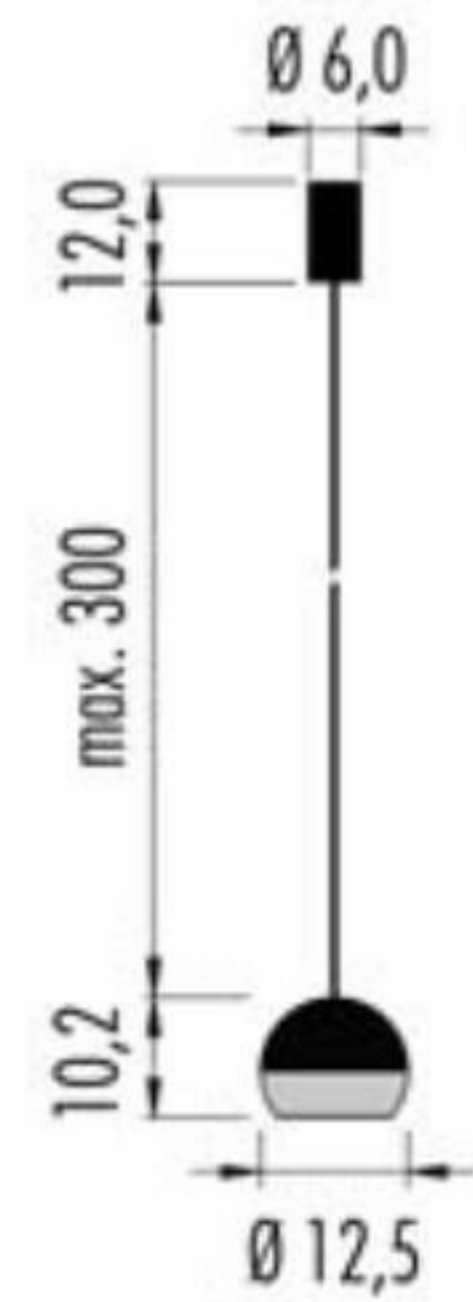


IP20 ©	ARC	CE ▽
220-240V	8W CRI>95	on/off

3BBA.2 ■ ▲ □

■ Led color	Nominal lm	▲ Beam spread
2 = 2700K	893	M = 38°
3 = 3000K	939	S = 22°

ARC canopy - rosone: White - Bianco



IP20 ©	CUP	CE ▽
220-240V	8W CRI>95	on/off

3BBC.2 ■ ▲ □

■ Led color	Nominal lm	▲ Beam spread
2 = 2700K	893	M = 38°
3 = 3000K	939	S = 22°

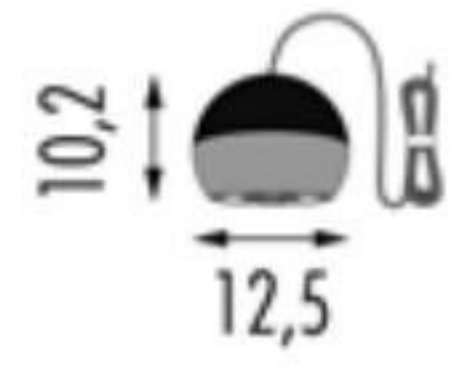
look at table - vedi tabella

□	Up	Down	CUP - Rosone
02	●	●	Black/Black - Nero/Nero Black - Nero
06	○	○	White/White - Bianco/Bianco White - Bianco
BC	●	●	Blue/Copper - Blu/Rame Black - Nero
GC	●	●	Green/Copper - Verde/Rame Black - Nero
PC	●	●	Rose/Copper - Rosa/Rame Black - Nero
CR	●	●	Copper/Red - Rame/Rosso Black - Nero

Black power supply cable.
Cavo di alimentazione, nero.



Pop Bon Bon - Filo System: 250 m/A



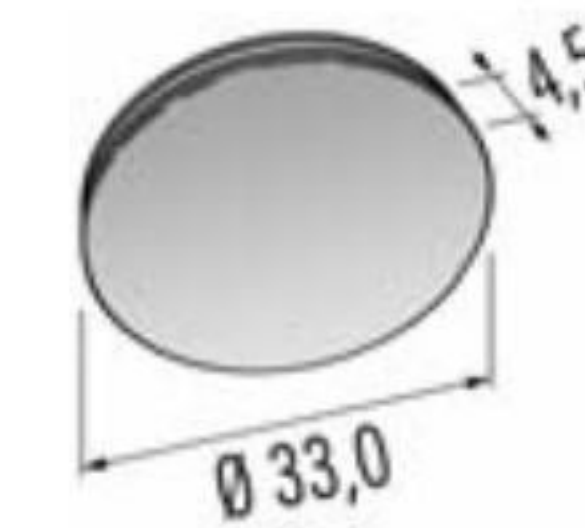
IP20	CE	CE
250 m/A	8W	CRI>95
3BB1.2	12m Cable	
3BB2.2	22m Cable	
■ Led color	Nominal lm	▲ Beam spread
2 = 2700K	893	M = 38°
3 = 3000K	939	S = 22°



CUP Canopy © min. 3 max 3 diffusers Black - Nero

3FL2.029.02 On/off

3FL2.F29.02 DALI - Push

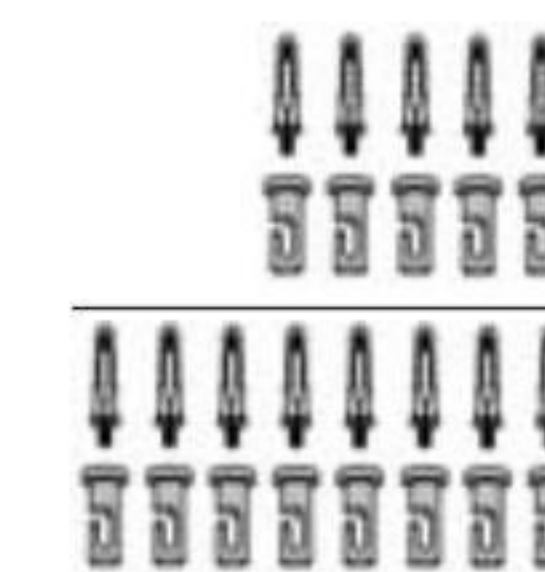


CUP Canopy © min. 6 max 6 diffusers Black - Nero

3FL2.033.02 On/off

CUP Canopy © min. 3 max 9 diffusers Black - Nero

3FL2.E33.02 DALI - Push - 0/1...10V

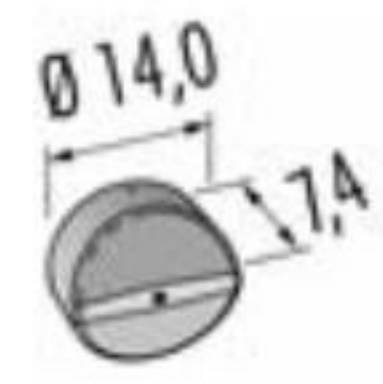


Mounting supports - Supporti di fissaggio Sistema Filo

1KIT.WM5.02 5 units Black - Nero

1KIT.WM8.02 8 units Black - Nero

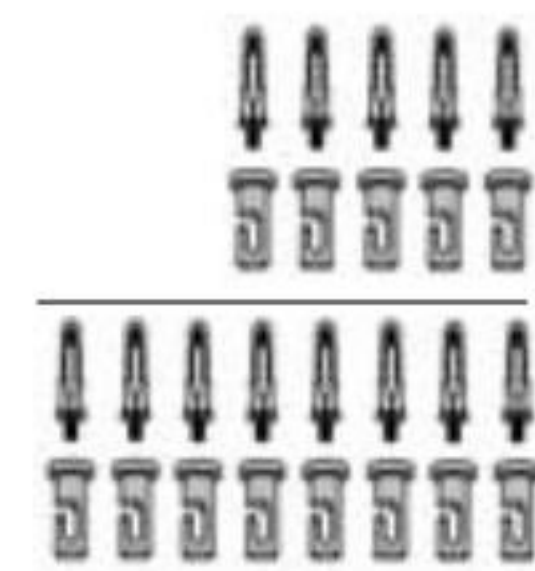




CUP Canopy © for max 2 diffusers Black - Nero
3FL2.CUP.02 On/off



CUP with Plug-in © for max 1 diffuser Black - Nero
3FL2.PIN.02 On/off



Wall - Ceiling Mounting - Supporti di fissaggio Sistema Filo

1KIT.WM5.02 5 units Black - Nero

1KIT.WM8.02 8 units Black - Nero

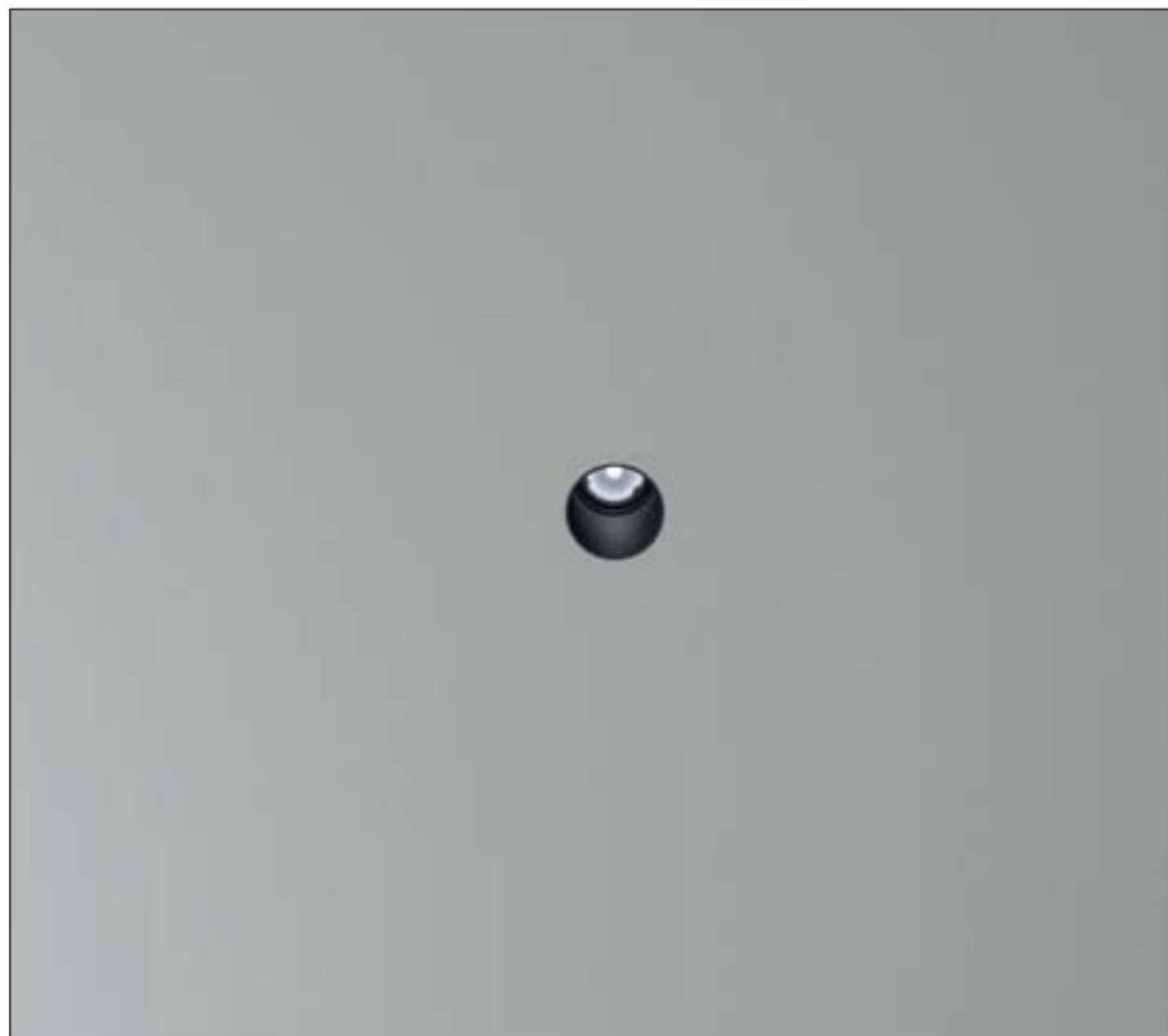


Pop 00 Ø 3,0 trimless

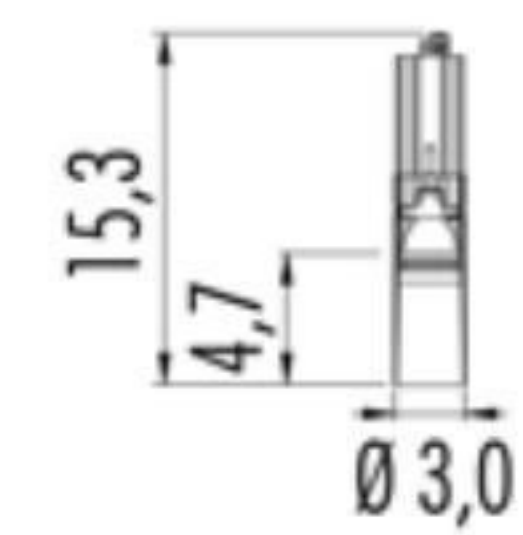
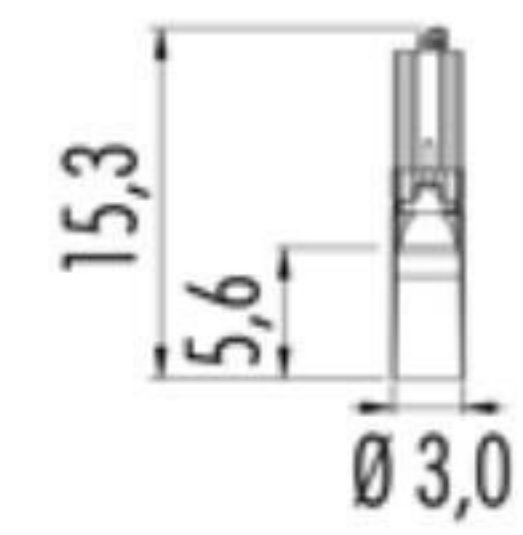


Pop 00 Ø 3,0 trimless

For plasterboard and brickwork. Per cartongesso e laterizio



□	Frame - Struttura
02 ●	Black - Nero
06 ○	White - Bianco



IP40	MC-E=3	CE	▽	⊕
500m/A	LED 6W	CRI>90		
3P00.3	M.	□		

IP54	MC-E=3	CE	▽	⊕
500m/A	LED 6W	CRI>90		
3P00.3	M9.	□		

■ Led color	Nominal lm	▲ Beam spread
2 = 2700K	528	17°
3 = 3000K	552	

© (m-M) driver **ONLY** in remote installation
posizionare il driver in remoto

3KIT.500.15	(1-1)	on/off
3KIT.501.50	(1-7)	DALI - Push - 1...10V
3KIT.502.20	(1-3)	DALI
3KIT.503.20	(1-3)	Push - 1...10
3KIT.504.10	(1-1)	IGBT - TRIAC

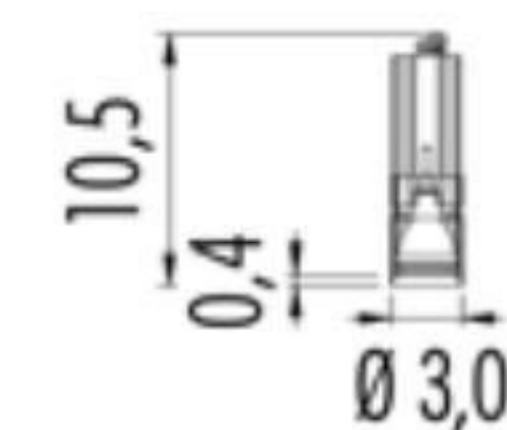
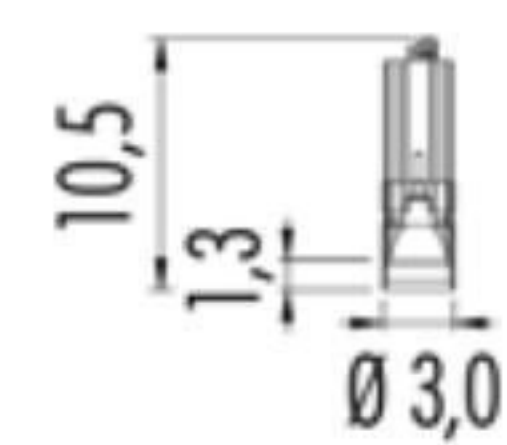
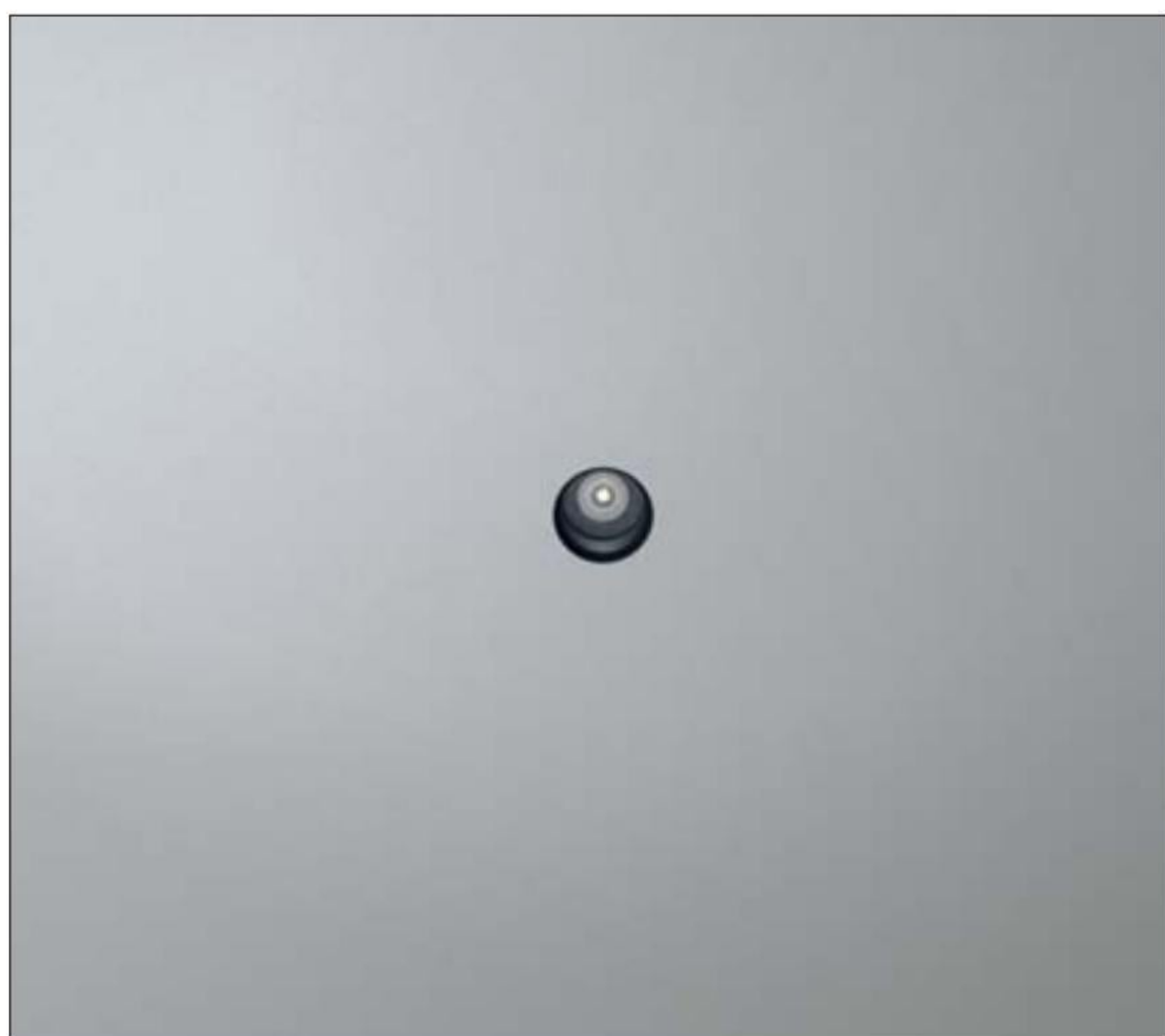
Pop P00: housing for plasterboard - Cassaforma cartongesso

- **1Z00.030.01** Ø 4,0cm

Pop P00: housing for brickwork - Cassaforma laterizio

- **1M00.030.01**

Pop 00 NaNo Ø 3,0 trimless
For plasterboard. Per cartongesso



IP40	MC-E=3	CE	▽	◇
500m/A	LED 6W	CRI>90		
3N00.3	M.	□		

IP54	MC-E=3	CE	▽	◇
500m/A	LED 6W	CRI>90		
3N00.3	M9.	□		

Led color	Nominal lm	Beam spread
2 = 2700K	528	25°
3 = 3000K	552	

© (m-M) driver **ONLY** in remote installation
posizionare il driver in remoto

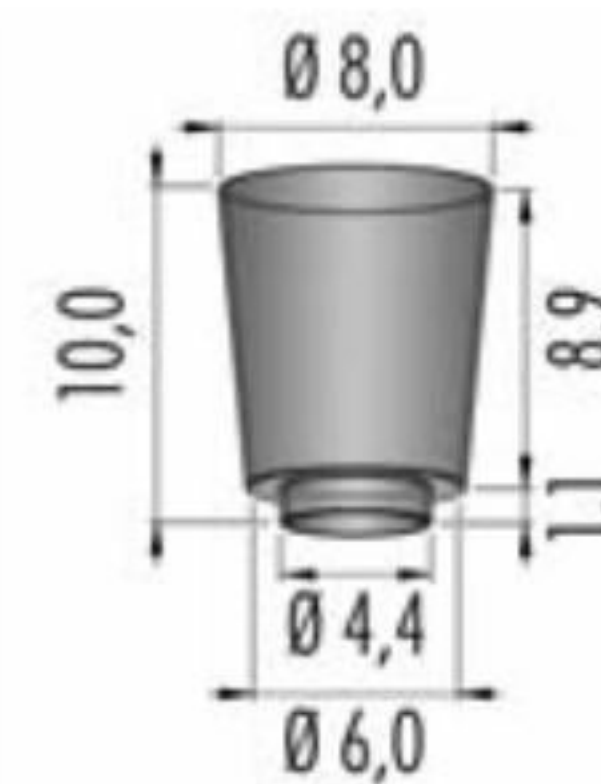
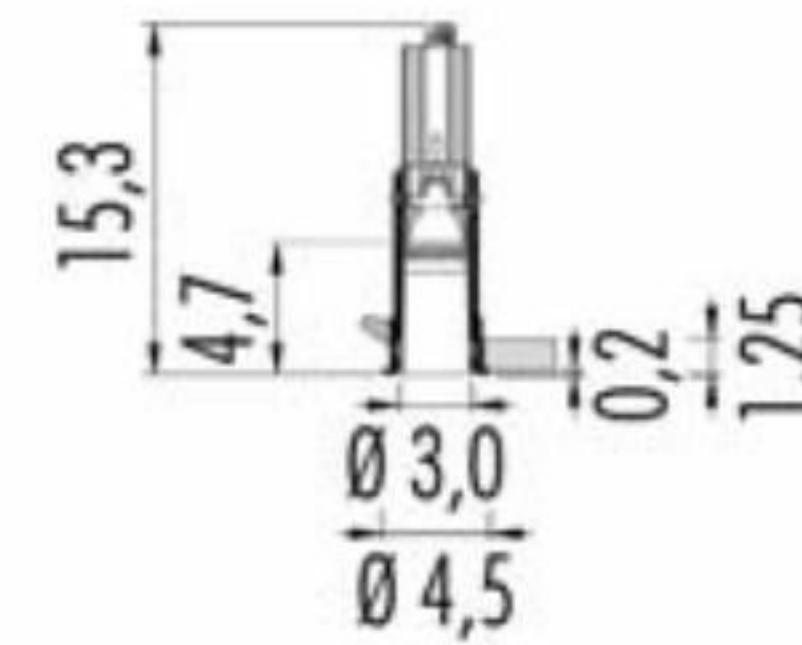
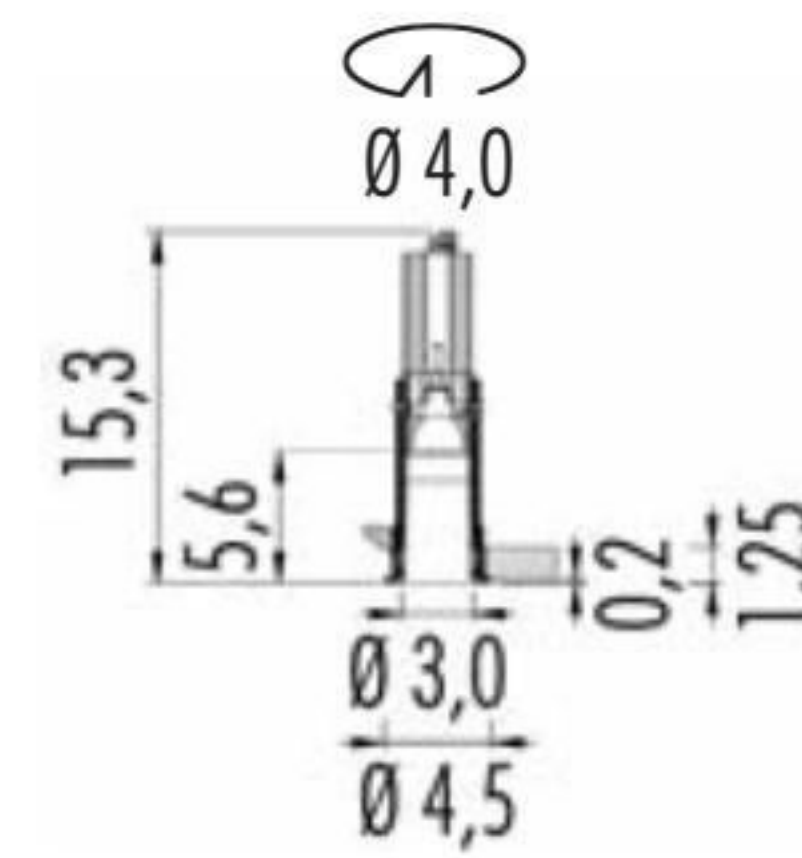
3KIT.500.15	(1-1)	on/off
3KIT.501.50	(1-7)	DALI - Push - 1...10V
3KIT.502.20	(1-3)	DALI
3KIT.503.20	(1-3)	Push - 1...10
3KIT.504.10	(1-1)	IGBT - TRIAC

□	Frame - Struttura
02 ●	Black - Nero
06 ○	White - Bianco

Pop 00 NaNo: housing for plasterboard - Cassaforma cartongesso

- **1N00.030.01** Ø 4,0cm

easy Pop 00 Ø 3,0 with trim
For plasterboard and brickwork. Per cartongesso e laterizio



- Frame - Struttura
- 02 ● Black - Nero
- 06 ○ White - Bianco

IP40	MC-E=3	CE
500m/A	LED 6W	CRI>90
3E00.3 ■ M. □		

IP54	MC-E=3	CE
500m/A	LED 6W	CRI>90
3E00.3 ■ M9. □		

■ Led color	Nominal lm	▲ Beam spread
2 = 2700K	528	17°
3 = 3000K	552	

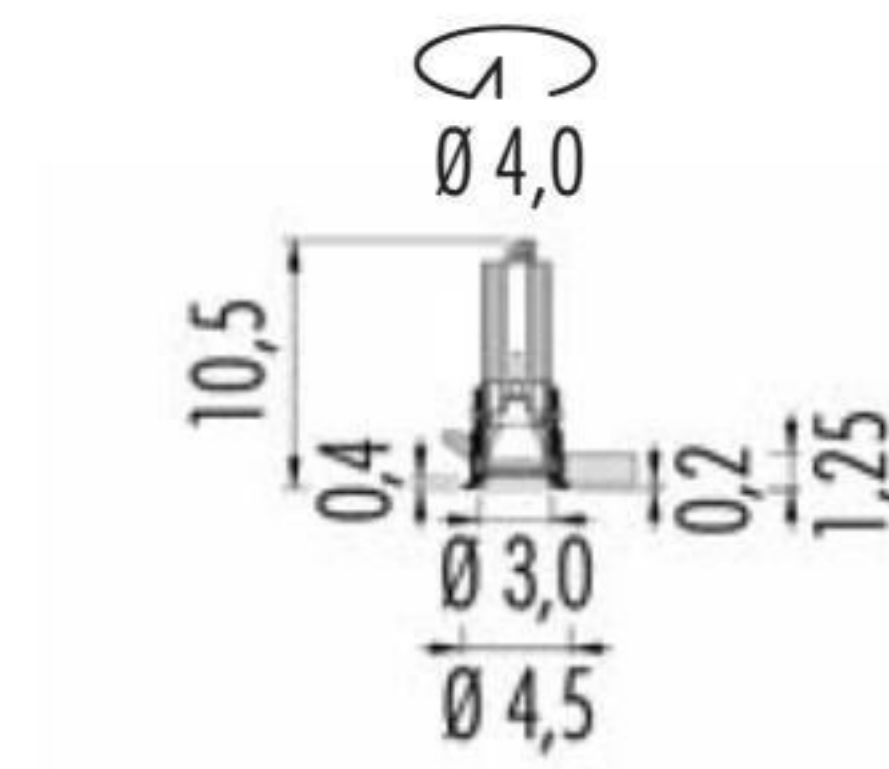
© (m-M) driver *ONLY* in remote installation
posizionare il driver in remoto

- 3KIT.500.15** (1-1) on/off
- 3KIT.501.50** (1-7) DALI - Push - 1...10V
- 3KIT.502.20** (1-3) DALI
- 3KIT.503.20** (1-3) Push - 1...10
- 3KIT.504.10** (1-1) IGBT - TRIAC

Housing for brickwork - Cassaforma laterizio

1E00.030.01

easy Pop 00 NaNo Ø 3,0 with trim
For plasterboard and brickwork. Per cartongesso e laterizio



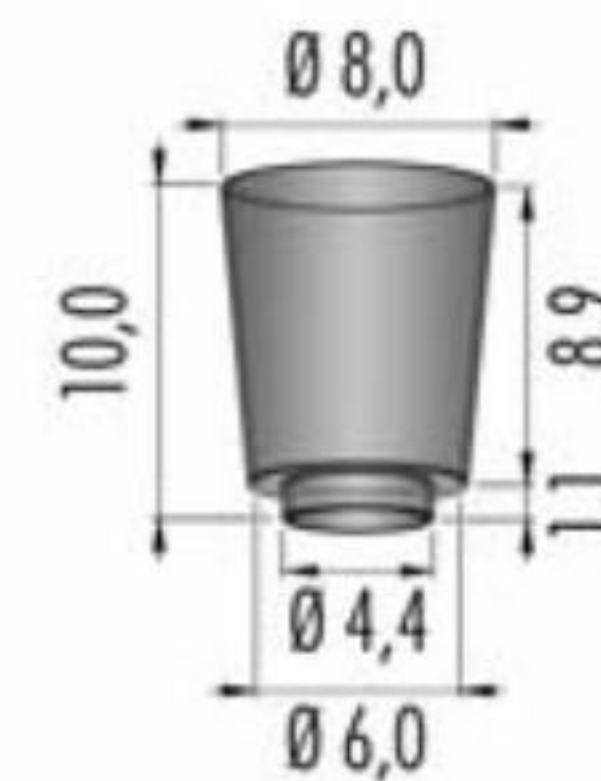
IP40	MC-E=3	CE	▽	⊕
500m/A	LED 6W	CRI>90		
3F00.3 ■ M. □				

IP54	MC-E=3	CE	▽	⊕
500m/A	LED 6W	CRI>90		
3F00.3 ■ M9. □				

■ Led color	Nominal lm	▲ Beam spread
2 = 2700K	528	25°
3 = 3000K	552	

© (m-M) driver **ONLY** in remote installation
posizionare il driver in remoto

3KIT.500.15 (1-1)	on/off
3KIT.501.50 (1-7)	DALI - Push - 1...10V
3KIT.502.20 (1-3)	DALI
3KIT.503.20 (1-3)	Push - 1...10
3KIT.504.10 (1-1)	IGBT - TRIAC



Housing for brickwork - Cassaforma laterizio

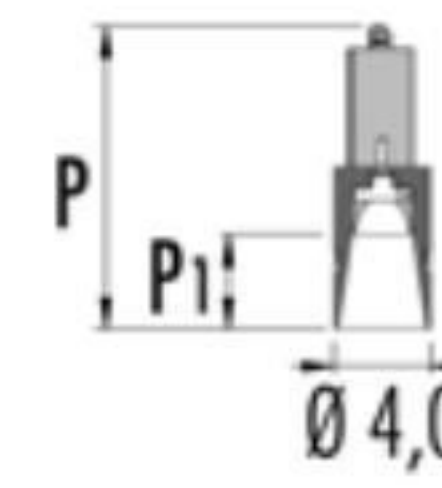
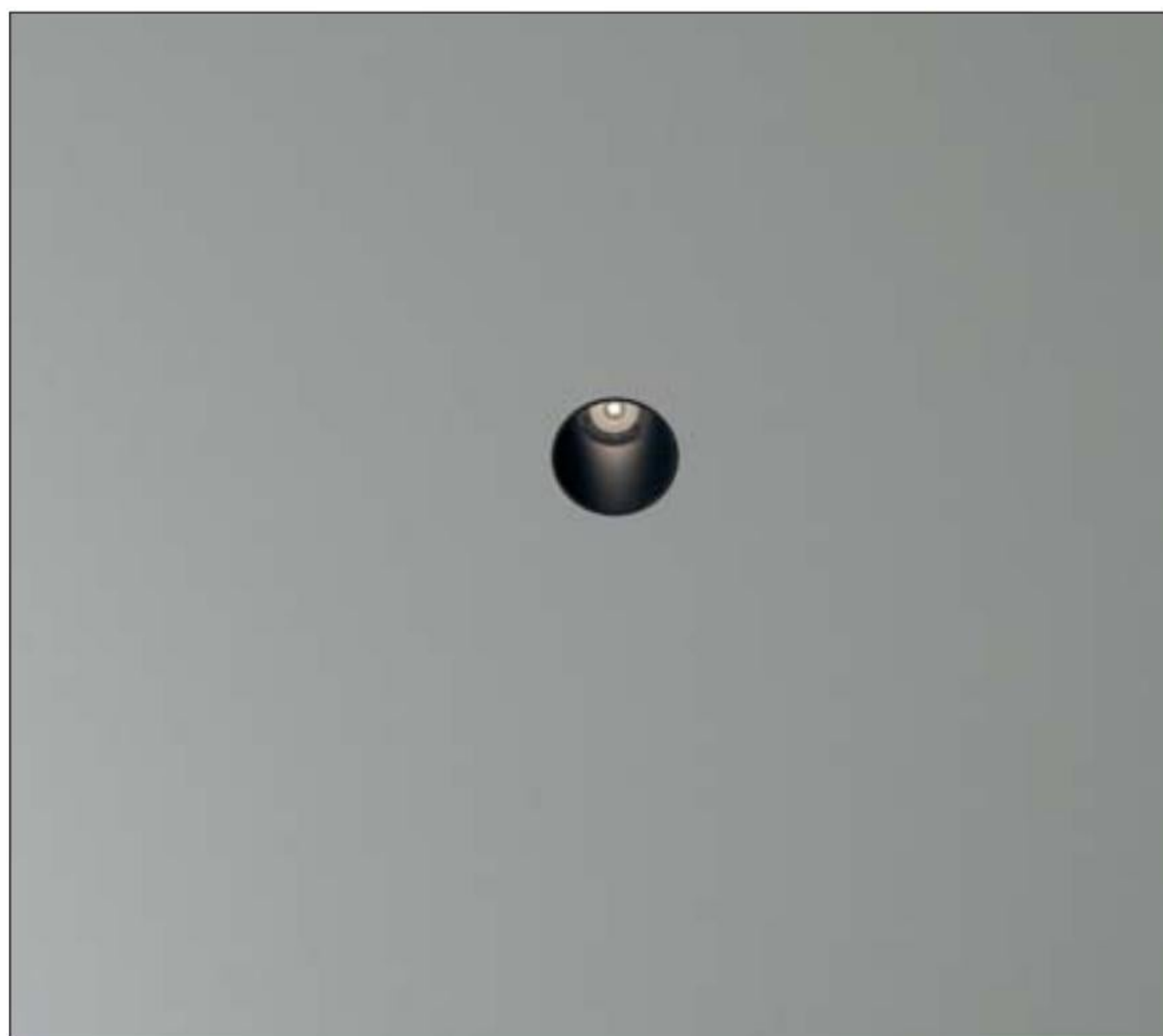
1E00.030.01

□	Frame - Struttura
02 ●	Black - Nero
06 ○	White - Bianco

Pop 01 Ø 5,5 trimless



Pop 01 Ø 4,0 trimless
For plasterboard. Per cartongesso



IP40

12V

3P01.200. **GU4** max 35W

3KIT.201.050 max 50VA

Dimmable gear: IGBT

IP40 MC-E=3

500m/A **LED 6W** CRI>90

3P01.2 **S.**

IP54 MC-E=3

500m/A **LED 6W** CRI>90

3P01.2 **S9.**

Led color	Nominal lm	Beam spread
2 = 2700K	528	22°
3 = 3000K	552	

(m-M) Driver

3KIT.500.15 (1-1) on/off

3KIT.501.50 (1-7) DALI - Push - 1...10V
remote installation - in remoto

3KIT.502.20 (1-3) DALI
remote installation - in remoto

3KIT.503.20 (1-3) Push - 1...10
remote installation - in remoto

3KIT.504.10 (1-1) IGBT - TRIAC
remote installation - in remoto

Frame - Struttura

02 **Black - Nero**

06 **White - Bianco**

	Pop P01	P	P1
3P01.200.	led IP40	9,1	3,9
3P01.2 S.	led IP40	13,2	3,9
3P01.2 S9.	led IP54	14,0	3,9

Housing for plasterboard - Cassaforma cartongesso

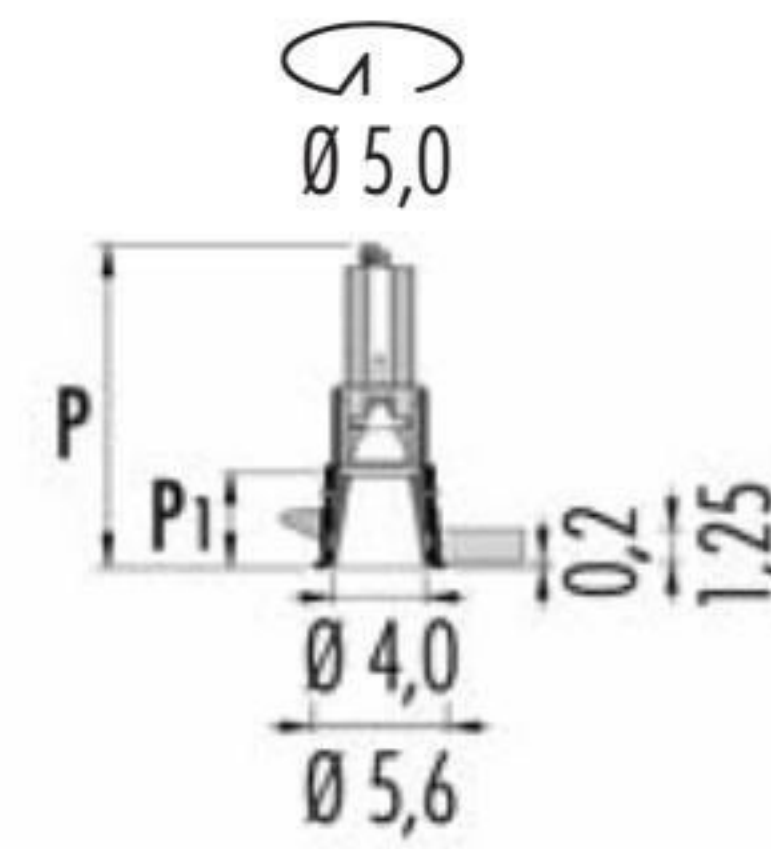
● **1Z00.040.01** Ø 5,1cm

easy Pop 01 Ø 4,0 with trim

For plasterboard and brickwork. Per cartongesso e laterizio



	Pop	E01	P	P1
3E01.200.□	led	IP40	9,1	3,9
3E01.2■S.□	led	IP40	13,2	3,9
3E01.2■S9.□	led	IP54	14,0	3,9



IP40

12V

3E01.200.□ **GU4** max 35W

3KIT.201.050 max 50VA

Dimmable gear: IGBT

IP40 MC-E=3

500m/A **LED 6W** CRI>90

3E01.2■S.□

IP54 MC-E=3

500m/A **LED 6W** CRI>90

3E01.2■S9.□

■ Led color	Nominal lm	▲ Beam spread
2 = 2700K	528	22°
3 = 3000K	552	

© (m-M) Driver

3KIT.500.15 (1-1) on/off

3KIT.501.50 (1-7) DALI - Push - 1...10V
remote installation - in remoto

3KIT.502.20 (1-3) DALI
remote installation - in remoto

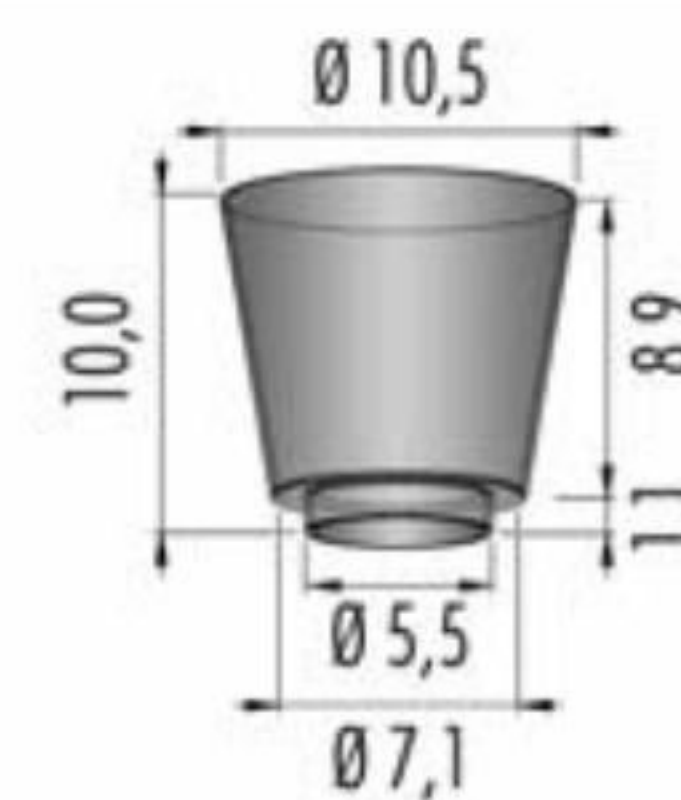
3KIT.503.20 (1-3) Push - 1...10V
remote installation - in remoto

3KIT.504.10 (1-1) IGBT - TRIAC
remote installation - in remoto

□ Frame - Struttura

02 ● Black - Nero

06 ○ White - Bianco

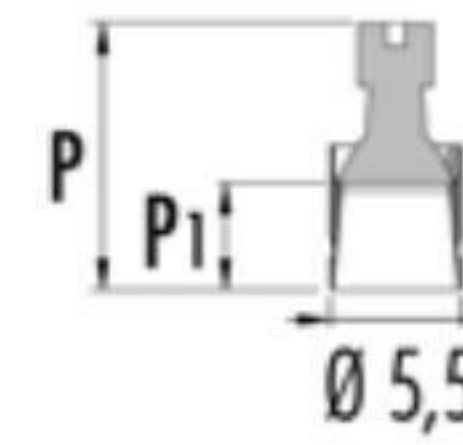


Housing for brickwork - Cassaforma laterizio

1E00.040.01

Pop 01 Ø 5,5 trimless

For plasterboard and brickwork. Per cartongesso e laterizio



□	Frame - Struttura
02 ●	Black - Nero
06 ○	White - Bianco

	Pop P01	P	P1
3P01.210.□	GU10	13,2	4,4
3P01.211.□	GU10 led	—	4,4
4P01.211.□	GU10 led + honeycomb	—	4,4
3P01.220.□	GU5.3	11,6	4,4
4P01.220.□	GU5.3 led + honeycomb	—	4,4
3P01.2209.□	GU5.3 IP44	13,0	3,4
4P01.2209.□	GU5.3 IP44 led + honeycomb	—	3,4
3P01.K■S.□	led 9,5W IP40	13,8	4,4
4P01.K■S.□	led 9,5W IP40 + honeycomb	14,3	4,4
3P01.K■S9.□	led 9,5W IP44	14,3	4,4
4P01.K■S9.□	led 9,5W IP44 + honeycomb	14,8	4,4

IP20

220V ÷ 240V

3P01.210.□ GU10 max 50W

3P01.211.□ GU10 led

4P01.211.□ GU10 led

With honeycomb. Con frangiluce

IP20

12V

3P01.220.□ GU5.3 max 50W

4P01.220.□ GU5.3 led

With honeycomb. Con frangiluce

3KIT.201.050 max 50VA

Dimmable gear: IGBT

IP44

12V

3P01.2209.□ GU5.3 max 35W

4P01.2209.□ GU5.3 led

With honeycomb. Con frangiluce

3KIT.201.050 max 50VA

Dimmable gear: IGBT

IP40 Flicker < 20%

220V ÷ 240V

LED 9,5W

CRI>90

3P01.K■S.□ dimm IGBT - TRIAC

4P01.K■S.□ dimm IGBT - TRIAC

With honeycomb. Con frangiluce

IP44 Flicker < 20%

220V ÷ 240V

LED 9,5W

CRI>90

3P01.K■S9.□ dimm IGBT - TRIAC

4P01.K■S9.□ dimm IGBT - TRIAC

With honeycomb. Con frangiluce

■ Led color Nominal lm ▲ Beam spread

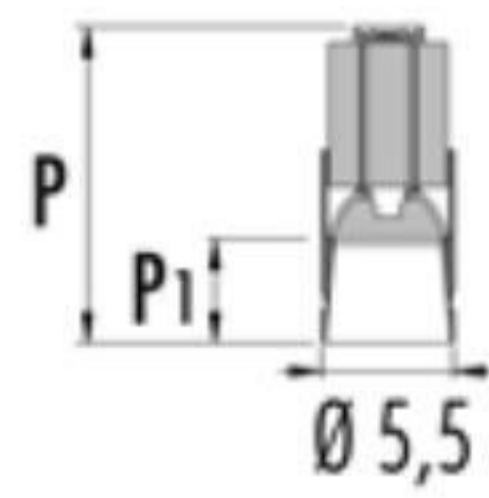
2 = 2700K

710

24°

3 = 3000K

760



Pop P01		P	P ₁
3P01.3	led IP40	13,4	4,4
4P01.3	led IP40 + honeycomb	13,9	4,4
3P01.3	led IP54	14,1	3,4
4P01.3	led IP54 + honeycomb	14,6	3,4
3P01.3W	led IP40	10,7	4,4
4P01.3W	led IP40 + honeycomb	11,2	4,4
3P01.3W	led IP54	11,3	3,4
4P01.3W	led IP54 + honeycomb	11,8	3,4

IP40	MC-E=3	CE	F	Ⓜ
350m/A	LED 11W	CRI>95		
3P01.3				
4P01.3				
With honeycomb. Con frangiluce				

IP54	MC-E=3	CE	F	Ⓜ
350m/A	LED 11W	CRI>95		
3P01.3				
4P01.3				
With honeycomb. Con frangiluce				

Led color	Nominal lm	Beam spread
2 = 2700K	1195	S = 22°
3 = 3000K	1257	T = 12°
4 = 4000K	1313	

© (m-M) Driver

3KIT.350.1L (1-1)	on/off
3KIT.351.40 (1-3)	DALI - Push - 1...10V remote installation - in remoto

3KIT.352.15 (1-1)	DALI
3KIT.353.15 (1-1)	Push - 1...10V
3KIT.354.18 (1-1)	IGBT - TRIAC

Emergency unit: (inverter + battery. Driver not included)
remote installation - in remoto

3KIT.900.01 (1-1)	1:00 hour
3KIT.900.03 (1-1)	3:00 hours

IP40	DimToWarm	CE	F	Ⓜ
350m/A	LED 6W	CRI 95		
3P01.3W				
4P01.3W				
With honeycomb. Con frangiluce				

IP54	DimToWarm	CE	F	Ⓜ
350m/A	LED 6W	CRI 95		
3P01.3W				
4P01.3W				
With honeycomb. Con frangiluce				

Led color	Nominal lm	Beam spread
W= max 3000K min. 1800K	max 445 lm min. 10 lm	M = 30° S = 18°

© (m-M) Driver

3KIT.352.W15 (1-1)	DALI
3KIT.354.W10 (1-1)	IGBT - TRIAC

Housing for plasterboard - Cassaforma cartongesso  Ø 6,5cm

●	1Z00.055.01	Single
●●	1Z00.055.2L	Double
●●●	1Z00.055.3L	Triple

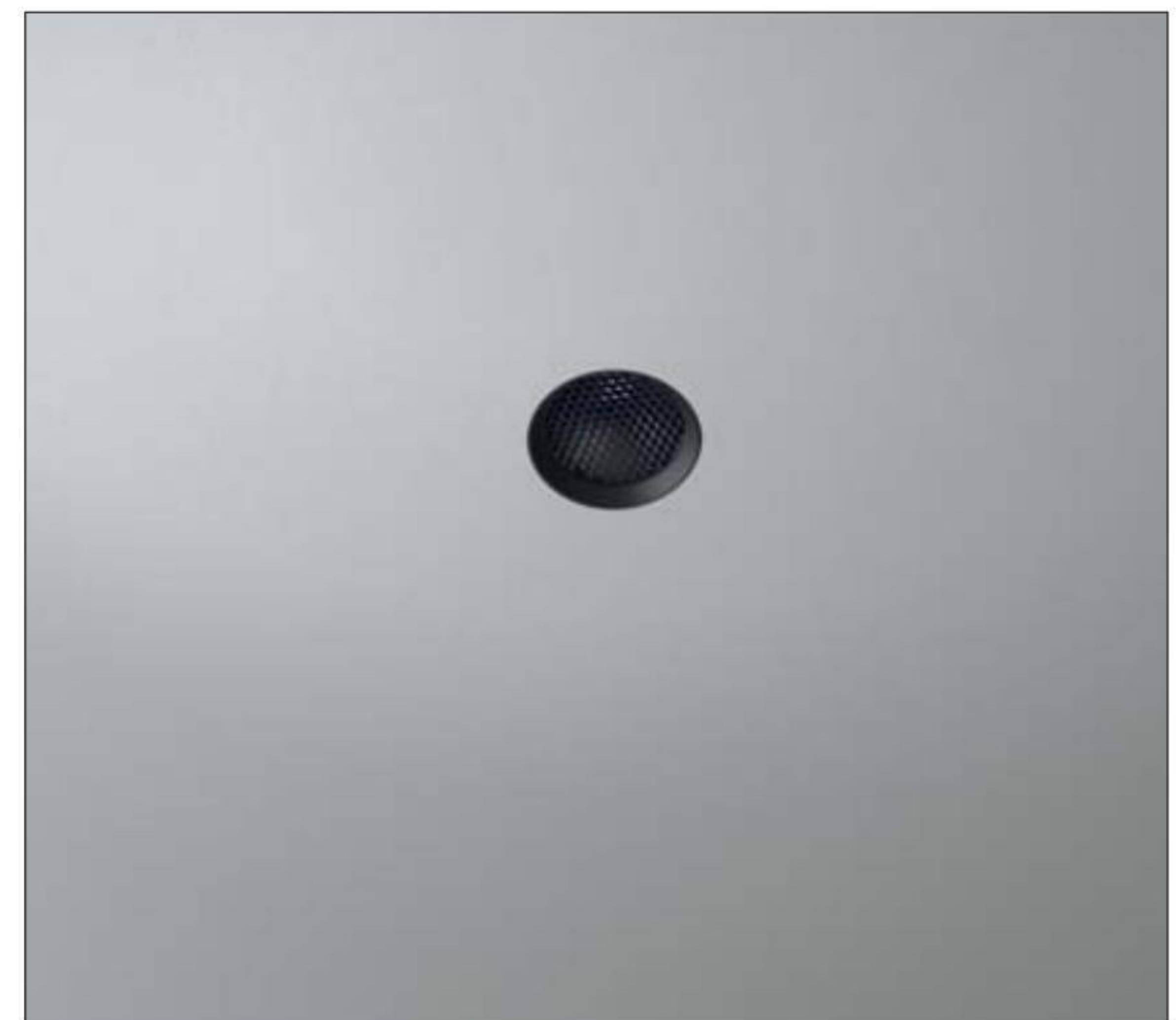
Housing for brickwork - Cassaforma laterizio

●	1M00.055.01
---	-------------

(m-M) = min. Led unit - Max Led unit. Led and Emergency unit, warranty only when used together with driver bought from Oty srl.

(m-M) = gestione minima e massima delle unità Led. I Led e le unità di emergenza, sono coperti da garanzia solo se utilizzati in abbinamento con i driver forniti dalla Oty srl.

Pop 01 NaNo Ø 5,5 trimless
 For plasterboard and brickwork. Per cartongesso e laterizio



Housing for plasterboard - Cassaforma cartongesso  Ø 6,5cm

- 1Z00.055.01 Single
- 1Z00.055.2L Double
- 1Z00.055.3L Triple

Housing for brickwork - Cassaforma laterizio

- 1M00.055.01

Frame - Struttura

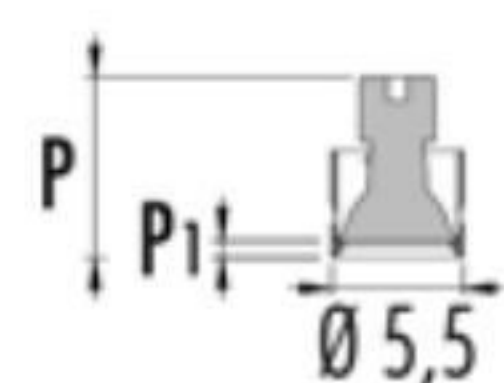
- 02 ● Black - Nero
- 06 ○ White - Bianco

With honeycomb. Con frangiluce

(m-M) = min. Led unit - Max Led unit. Led and Emergency unit, warranty only when used together with driver bought from Oty srl.

(m-M) = gestione minima e massima delle unità Led. I Led e le unità di emergenza, sono coperti da garanzia solo se utilizzati in abbinamento con i driver forniti dalla Oty srl.

	Pop NO1	P	P1
3N01.210.□	GU10	9,5	0,7
3N01.211.□	GU10 led	—	0,7
4N01.211.□	GU10 led + honeycomb	—	0,7
3N01.220.□	GU5.3	7,9	0,7
4N01.220.□	GU5.3 led + honeycomb	—	0,7
3N01.2209.□	GU5.3 IP44	8,8	0,7
4N01.2209.□	GU5.3 IP44 led + honeycomb	—	0,7
3N01.K■▲.□	led 9,5W IP40	10,5	0,7
4N01.K■▲.□	led 9,5W IP40 + honeycomb	11,0	0,7
3N01.K■▲9.□	led 9,5W IP44	11,0	0,7
4N01.K■▲9.□	led 9,5W IP44 + honeycomb	11,5	0,7
3N01.3■▲.□	led IP40	6,8	0,7
4N01.3■▲.□	led IP40 + honeycomb	7,3	0,7
3N01.3■▲9.□	led IP54	7,6	0,7
4N01.3■▲9.□	led IP54 + honeycomb	8,1	0,7
3N01.3W▲.□	led IP40	6,9	0,7
4N01.3W▲.□	led IP40 + honeycomb	7,4	0,7
3N01.3W▲9.□	led IP54	7,8	0,7
4N01.3W▲9.□	led IP54 + honeycomb	8,3	0,7



IP20		CE	▽	□
220V ÷ 240V				
3N01.210.□	GU10 max 50W			
3N01.211.□	GU10 led			
4N01.211.□	GU10 led			
<i>With honeycomb. Con frangiluce</i>				

IP20		CE	▽	◇
12V				
3N01.220.□	GU5.3 max 50W			
4N01.220.□	GU5.3 led			
<i>With honeycomb. Con frangiluce</i>				

3KIT.201.050 max 50VA
Dimmable gear: IGBT

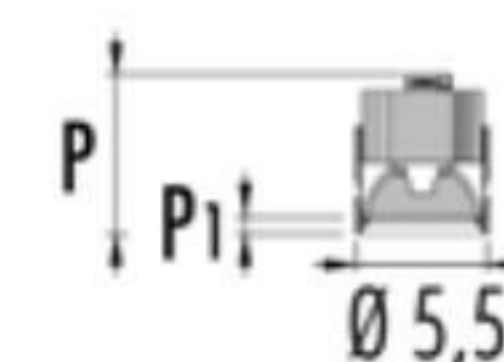
IP44		CE	▽	◇
12V				
3N01.2209.□	GU5.3 max 35W			
4N01.2209.□	GU5.3 led			
<i>With honeycomb. Con frangiluce</i>				

3KIT.201.050 max 50VA
Dimmable gear: IGBT

IP40	Flicker < 20%	CE	▽	□
220V ÷ 240V	LED 9,5W			CRI>90
3N01.K■▲.□	dimm IGBT - TRIAC			
4N01.K■▲.□	dimm IGBT - TRIAC			
<i>With honeycomb. Con frangiluce</i>				

IP44	Flicker < 20%	CE	▽	□
220V ÷ 240V	LED 9,5W			CRI>90
3N01.K■▲9.□	dimm IGBT - TRIAC			
4N01.K■▲9.□	dimm IGBT - TRIAC			
<i>With honeycomb. Con frangiluce</i>				

Led color	Nominal lm	Beam spread
2 = 2700K	710	M = 36°
3 = 3000K	760	S = 24°



IP40	MC-E=3	CE	▽	◇
250m/A	LED 8W			CRI>95
3N01.3■▲.□				
4N01.3■▲.□				
<i>With honeycomb. Con frangiluce</i>				

IP54	MC-E=3	CE	▽	◇
250m/A	LED 8W			CRI>95
3N01.3■▲9.□				
4N01.3■▲9.□				
<i>With honeycomb. Con frangiluce</i>				

Led color	Nominal lm	Beam spread
2 = 2700K	779	M = 38°
3 = 3000K	819	S = 22°
4 = 4000K	855	T = 12°

© (m-M) Driver
3KIT.250.1L (1-1) on/off
3KIT.251.28 (1-3) DALI - Push - 1...10V
remote installation - in remoto

3KIT.252.12 (1-1) DALI
3KIT.253.13 (1-1) Push - 1...10V
3KIT.254.12 (1-1) IGBT - TRIAC

Emergency unit: (inverter + battery. Driver not included)
remote installation - in remoto

3KIT.900.01 (1-1) 1:00 hour
3KIT.900.03 (1-1) 3:00 hours

IP40	DimToWarm	CE	▽	◇
350m/A	LED 6W			CRI 95
3N01.3W▲.□				
4N01.3W▲.□				
<i>With honeycomb. Con frangiluce</i>				

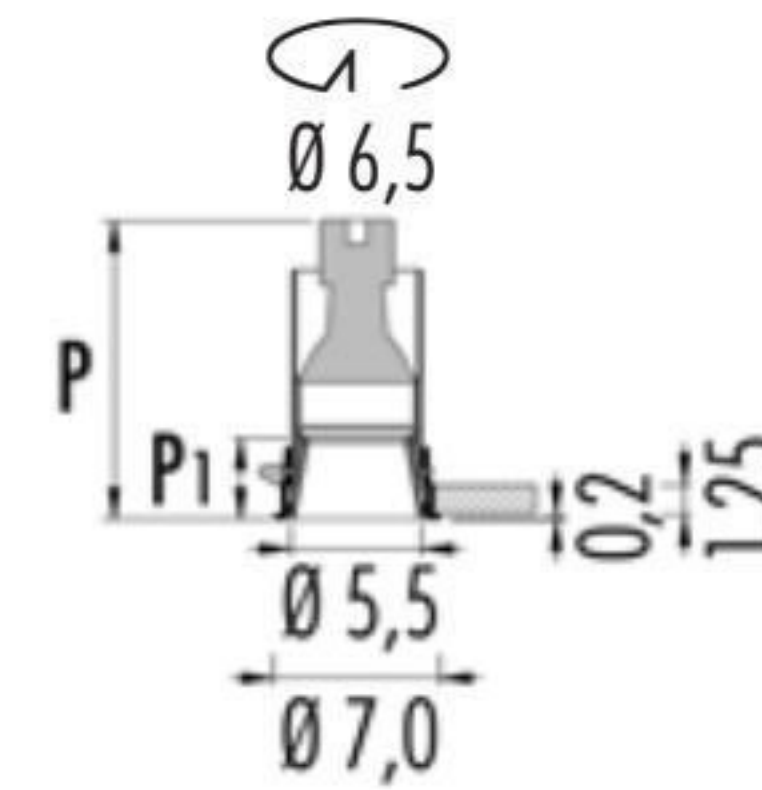
IP54	DimToWarm	CE	▽	◇
350m/A	LED 6W			CRI 95
3N01.3W▲9.□				
4N01.3W▲9.□				
<i>With honeycomb. Con frangiluce</i>				

Led color	Nominal lm	Beam spread
W= max 3000K	max 445 lm	M = 30°
min. 1800K	min. 10 lm	S = 18°

© (m-M) Driver
3KIT.352.W15 (1-1) DALI
3KIT.354.W10 (1-1) IGBT - TRIAC

easy Pop 01 Ø 5,5 with trim

For plasterboard and brickwork. Per cartongesso e laterizio



□	Frame - Struttura
02 ●	Black - Nero
06 ○	White - Bianco

	Pop E01	P	P1
3E01.210.□	GU10	13,2	4,4
3E01.211.□	GU10 led	—	4,4
4E01.211.□	GU10 led + honeycomb	—	4,4
3E01.220.□	GU5.3	11,6	4,4
4E01.220.□	GU5.3 led + honeycomb	—	4,4
3E01.2209.□	GU5.3 IP44	13,0	3,4
4E01.2209.□	GU5.3 IP44 led + honeycomb	—	3,4
3E01.K■S.□	led 9,5W IP40	13,8	4,4
4E01.K■S.□	led 9,5W IP40 + honeycomb	14,3	4,4
3E01.K■S9.□	led 9,5W IP40	15,2	4,4
4E01.K■S9.□	led 9,5W IP40 + honeycomb	15,7	4,4

IP20

220V ÷ 240V

3E01.210.□ GU10 max 50W

3E01.211.□ GU10 led

4E01.211.□ GU10 led

With honeycomb. Con frangiluce

IP20

12V

3E01.220.□ GU5.3 max 50W

4E01.220.□ GU5.3 led

With honeycomb. Con frangiluce

3KIT.201.050 max 50VA

Dimmable gear: IGBT

IP44

12V

3E01.2209.□ GU5.3 max 35W

4E01.2209.□ GU5.3 led

With honeycomb. Con frangiluce

3KIT.201.050 max 50VA

Dimmable gear: IGBT

IP40 Flicker < 20%

220V ÷ 240V

LED 9,5W

CRI>90

3E01.K■S.□ dimm IGBT - TRIAC

4E01.K■S.□ dimm IGBT - TRIAC

With honeycomb. Con frangiluce

IP44 Flicker < 20%

220V ÷ 240V

LED 9,5W

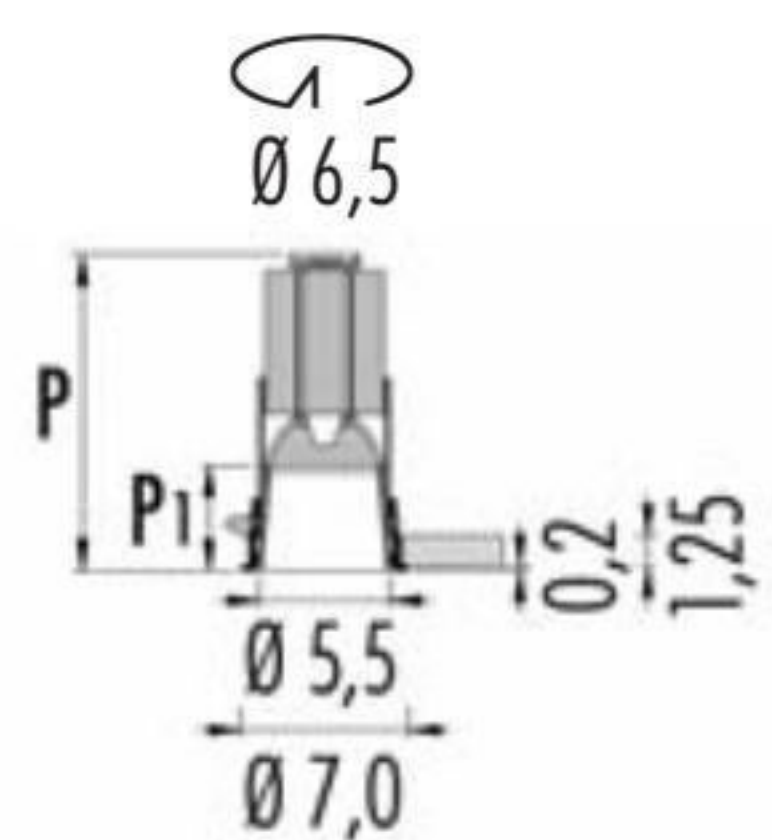
CRI>90

3E01.K■S9.□ dimm IGBT - TRIAC

4E01.K■S9.□ dimm IGBT - TRIAC

With honeycomb. Con frangiluce

■ Led color	Nominal lm	▲ Beam spread
2 = 2700K	710	24°
3 = 3000K	760	



	Pop E01	P	P1
3E01.3	led IP40	13,4	4,4
4E01.3	led IP40 + honeycomb	13,9	4,4
3E01.3	led IP54	14,1	3,4
4E01.3	led IP54 + honeycomb	14,6	3,4
3E01.3W	led IP40	10,7	4,4
4E01.3W	led IP40 + honeycomb	11,2	4,4
3E01.3W	led IP54	11,3	3,4
4E01.3W	led IP54 + honeycomb	11,8	3,4

IP40 © MC-E=3 CE F

350m/A LED 11W CRI>95
 3E01.3
 4E01.3
 With honeycomb. Con frangiluce

IP54 © MC-E=3 CE F

350m/A LED 11W CRI>95
 3E01.3
 4E01.3
 With honeycomb. Con frangiluce

■ Led color	Nominal lm	▲ Beam spread
2 = 2700K	1195	S = 22°
3 = 3000K	1257	T = 12°
4 = 4000K	1313	

© (m-M) Driver
 3KIT.350.1L (1-1) on/off
 3KIT.351.40 (1-3) DALI - Push - 1...10V
 remote installation - in remoto
 3KIT.352.15 (1-1) DALI
 3KIT.353.15 (1-1) Push - 1...10V
 3KIT.354.18 (1-1) IGBT - TRIAC

Emergency unit: (inverter + battery. Driver not included)
 remote installation - in remoto

3KIT.900.01 (1-1) 1:00 hour
 3KIT.900.03 (1-1) 3:00 hours

IP40 © DimToWarm CE F

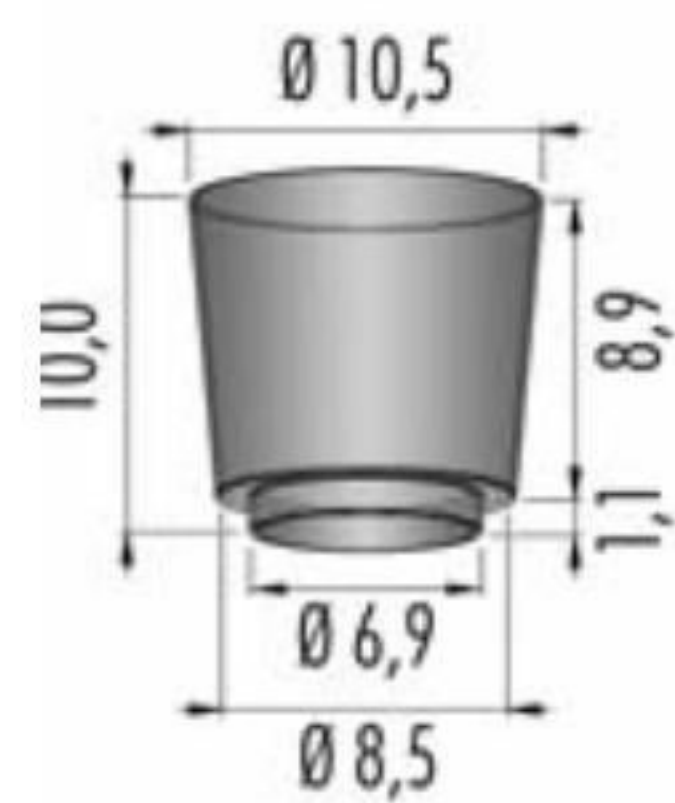
350m/A LED 6W CRI 95
 3E01.3W
 4E01.3W
 With honeycomb. Con frangiluce

IP54 © DimToWarm CE F

350m/A LED 6W CRI 95
 3E01.3W
 4E01.3W
 With honeycomb. Con frangiluce

■ Led color	Nominal lm	▲ Beam spread
W= max 3000K min. 1800K	max 445 lm min. 10 lm	M = 30° S = 18°

© (m-M) Driver
 3KIT.352.W15 (1-1) DALI
 3KIT.354.W10 (1-1) IGBT - TRIAC



Housing for brickwork - Cassaforma laterizio

1E00.055.01

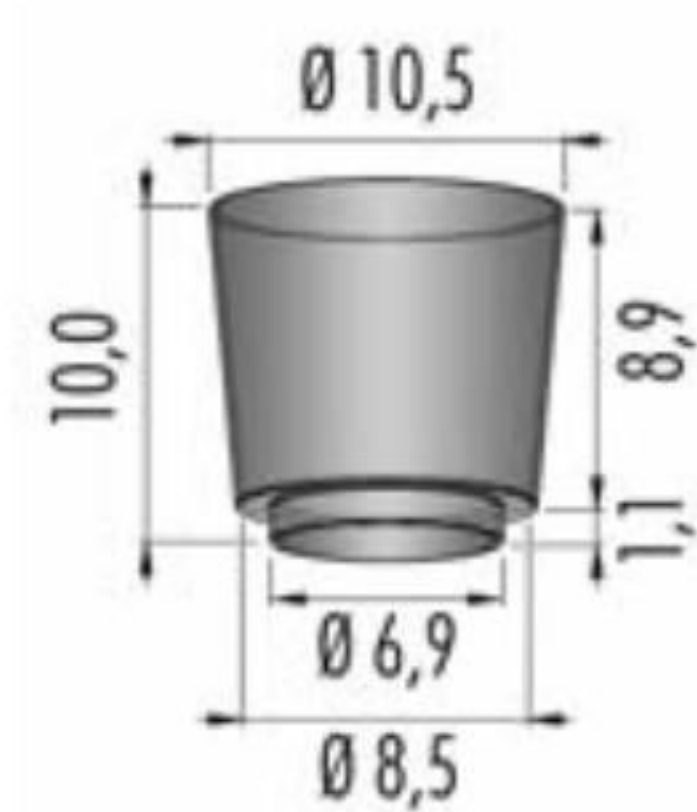
(m-M) = min. Led unit - Max Led unit. Led and Emergency unit, warranty only when used together with driver bought from Oty srl.

(m-M) = gestione minima e massima delle unità Led. I Led e le unità di emergenza, sono coperti da garanzia solo se utilizzati in abbinamento con i driver forniti dalla Oty srl.

easy Pop 01 NaNo Ø 5,5 with trim
 For plasterboard and brickwork. Per cartongesso e laterizio



With honeycomb. Con frangiluce



Housing for brickwork - Cassaforma laterizio

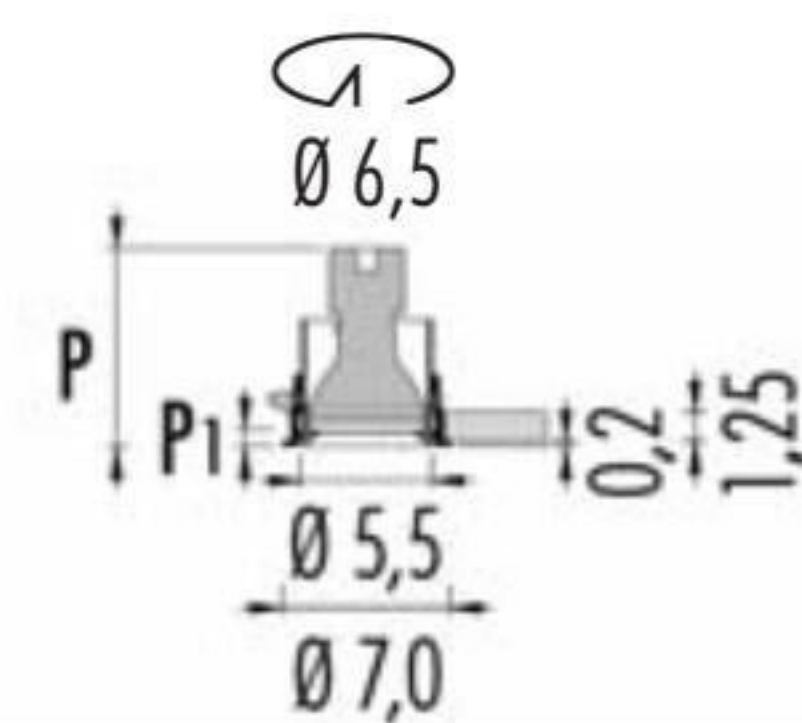
1E00.055.01

- | | |
|------|-------------------|
| □ | Frame - Struttura |
| 02 ● | Black - Nero |
| 06 ○ | White - Bianco |

(m-M) = min. Led unit - Max Led unit. Led and Emergency unit, warranty only when used together with driver bought from Oty srl.

(m-M) = gestione minima e massima delle unità Led. I Led e le unità di emergenza, sono coperti da garanzia solo se utilizzati in abbinamento con i driver forniti dalla Oty srl.

	Pop F01	P	P ₁
3F01.210.□	GU10	9,5	0,7
3F01.211.□	GU10 led	—	0,7
4F01.211.□	GU10 led + honeycomb	—	0,7
3F01.220.□	GU5.3	7,9	0,7
4F01.220.□	GU5.3 led + honeycomb	—	0,7
3F01.2209.□	GU5.3 IP44	8,8	0,7
4F01.2209.□	GU5.3 IP44 led + honeycomb	—	0,7
3F01.K■▲.□	led 9,5W IP40	10,5	0,7
4F01.K■▲.□	led 9,5W IP40 + honeycomb	11,0	0,7
3F01.K■▲9.□	led 9,5W IP40	11,4	0,7
4F01.K■▲9.□	led 9,5W IP40 + honeycomb	11,9	0,7
3F01.3■▲.□	led IP40	6,8	0,7
4F01.3■▲.□	led IP40 + honeycomb	7,3	0,7
3F01.3■▲9.□	led IP54	7,6	0,7
4F01.3■▲9.□	led IP54 + honeycomb	8,1	0,7
3F01.3W▲.□	led IP40	6,9	0,7
4F01.3W▲.□	led IP40 + honeycomb	7,4	0,7
3F01.3W▲9.□	led IP54	7,8	0,7
4F01.3W▲9.□	led IP54 + honeycomb	8,3	0,7



IP20 ☒ CE ▽ □

220V ÷ 240V
3F01.210.□ GU10 max 50W
3F01.211.□ GU10 led
4F01.211.□ GU10 led
 With honeycomb. Con frangiluce

IP20 ☒ ☒ CE ▽ ◆

12V
3F01.220.□ GU5.3 max 50W
4F01.220.□ GU5.3 led
 With honeycomb. Con frangiluce

3KIT.201.050 max 50VA
 Dimmable gear: IGBT

IP44 ☒ ☒ CE ▽ ◆

12V
3F01.2209.□ GU5.3 max 35W
4F01.2209.□ GU5.3 led
 With honeycomb. Con frangiluce

3KIT.201.050 max 50VA
 Dimmable gear: IGBT

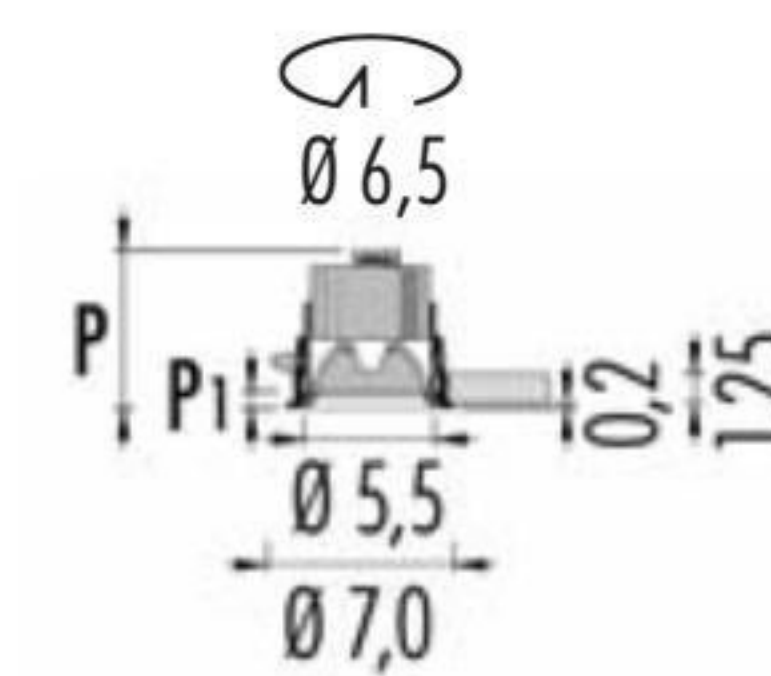
IP40 Flicker < 20% CE ▽ □

220V ÷ 240V LED 9,5W CRI>90
3F01.K■▲.□ dimm IGBT - TRIAC
4F01.K■▲.□ dimm IGBT - TRIAC
 With honeycomb. Con frangiluce

IP44 Flicker < 20% CE ▽ □

220V ÷ 240V LED 9,5W CRI>90
3F01.K■▲9.□ dimm IGBT - TRIAC
4F01.K■▲9.□ dimm IGBT - TRIAC
 With honeycomb. Con frangiluce

■ Led color	Nominal lm	▲ Beam spread
2 = 2700K	710	M = 36°
3 = 3000K	760	S = 24°



IP40 ☒ MC-E=3 CE ▽ ◆

250m/A LED 8W CRI>95
3F01.3■▲.□
4F01.3■▲.□
 With honeycomb. Con frangiluce

IP54 ☒ MC-E=3 CE ▽ ◆

250m/A LED 8W CRI>95
3F01.3■▲9.□
4F01.3■▲9.□
 With honeycomb. Con frangiluce

■ Led color	Nominal lm	▲ Beam spread
2 = 2700K	779	M = 38°
3 = 3000K	819	S = 22°
4 = 4000K	855	T = 12°

☒ (m-M) Driver
3KIT.250.1L (1-1) on/off
3KIT.251.28 (1-3) DALI - Push - 1...10V
 remote installation - in remoto

3KIT.252.12 (1-1) DALI
3KIT.253.13 (1-1) Push - 1...10V
3KIT.254.12 (1-1) IGBT - TRIAC

Emergency unit: (inverter + battery. Driver not included)
 remote installation - in remoto

3KIT.900.01 (1-1) 1:00 hour
3KIT.900.03 (1-1) 3:00 hours

IP40 ☒ DimToWarm CE ▽ ◆

350m/A LED 6W CRI 95
3F01.3W▲.□
4F01.3W▲.□
 With honeycomb. Con frangiluce

IP54 ☒ DimToWarm CE ▽ ◆

350m/A LED 6W CRI 95
3F01.3W▲9.□
4F01.3W▲9.□
 With honeycomb. Con frangiluce

■ Led color	Nominal lm	▲ Beam spread
W= max 3000K	max 445 lm	M = 30°
min. 1800K	min. 10 lm	S = 18°

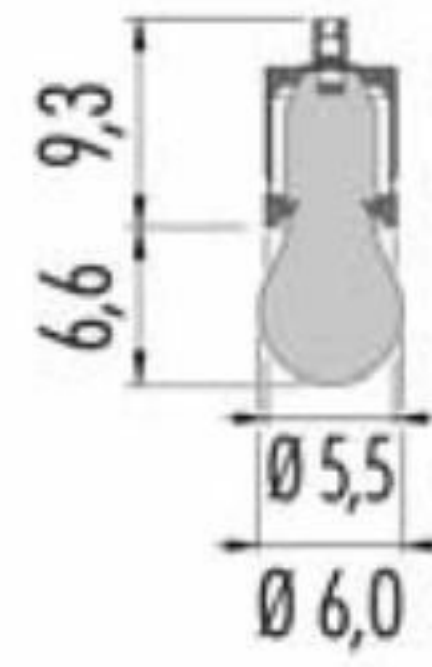
☒ (m-M) Driver
3KIT.352.W15 (1-1) DALI
3KIT.354.W10 (1-1) IGBT - TRIAC

Pop 01 Bulb Ø 5,5 trimless



Pop 01 **small Bulb** trimless

For plasterboard and brickwork. Per cartongesso e laterizio



IP20

220V ÷ 240V

e27 led 4W

CRI>80

3P01.A2L.

dimmi IGBT - TRIAC

Led color

Nominal lm

Beam spread

2700K

470

360°

Housing for plasterboard - Cassaforma cartongesso Ø 6,5cm

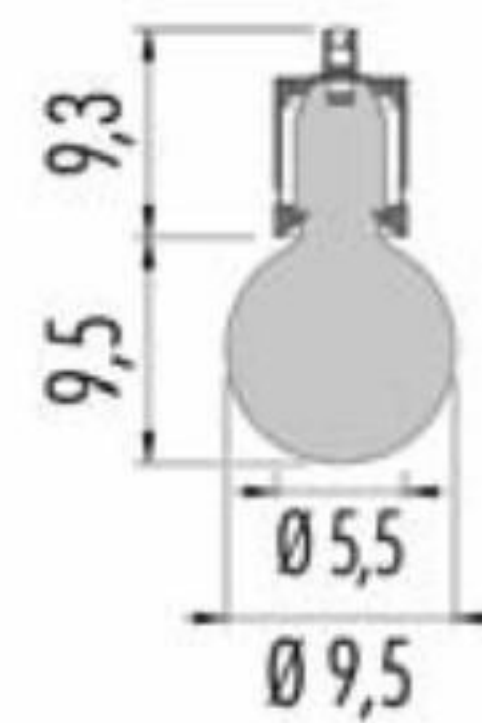
- **1Z00.055.01** Single
- **1Z00.055.2L** Double
- **1Z00.055.3L** Triple

Housing for brickwork - Cassaforma laterizio

- **1M00.055.01**

Pop 01 **big Bulb** trimless

For plasterboard and brickwork. Per cartongesso e laterizio



IP20

220V ÷ 240V

e27 led 4W

CRI>80

3P01.B2L.

dimmi IGBT - TRIAC

Led color

Nominal lm

Beam spread

2700K

470

360°

Housing for plasterboard - Cassaforma cartongesso Ø 6,5cm

- **1Z00.055.01**

Housing for brickwork - Cassaforma laterizio

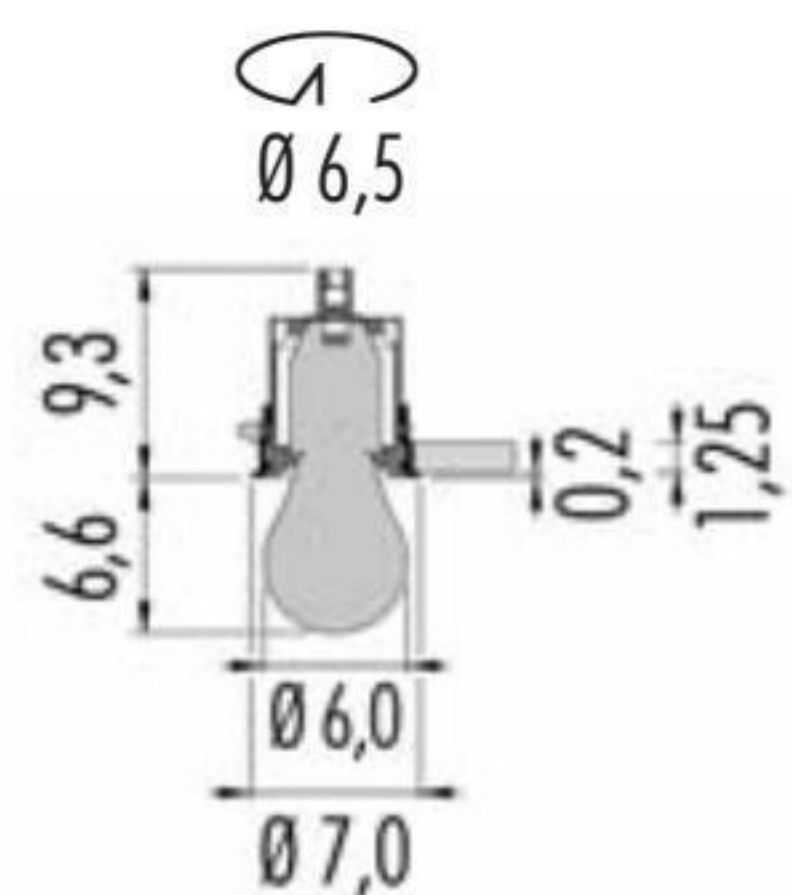
- **1M00.055.01**

Frame - Struttura

02 Black - Nero

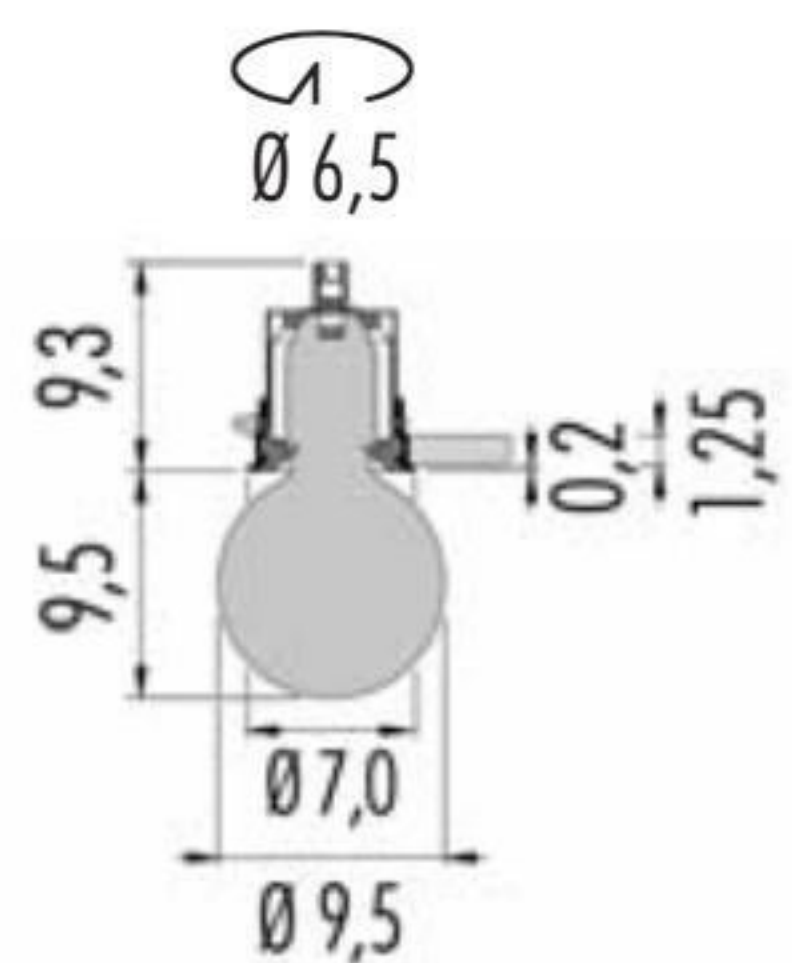
06 White - Bianco

easy Pop 01 small Bulb with trim
For plasterboard and brickwork. Per cartongesso e laterizio



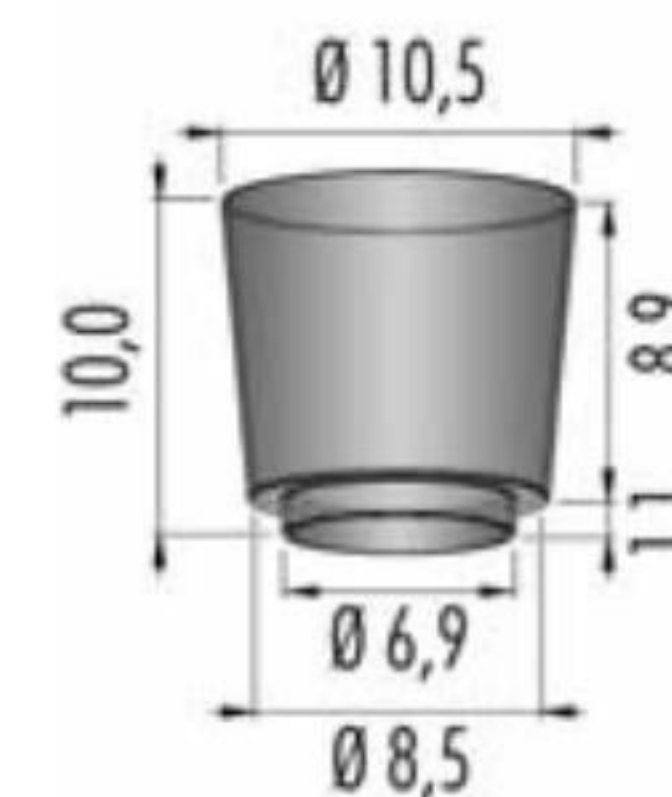
IP20	Ⓛ	CE	▽	□
220V ÷ 240V	e27 led 4W	CRI>80		
3E01.A2L. □	dimm IGBT - TRIAC			
■ Led color	Nominal lm	▲ Beam spread		
2700K	470	360°		

easy Pop 01 big Bulb with trim
For plasterboard and brickwork. Per cartongesso e laterizio



IP20	Ⓛ	CE	▽	□
220V ÷ 240V	e27 led 4W	CRI>80		
3E01.B2L. □	dimm IGBT - TRIAC			
■ Led color	Nominal lm	▲ Beam spread		
2700K	470	360°		

- Frame - Struttura
- 02 ● Black - Nero
- 06 ○ White - Bianco



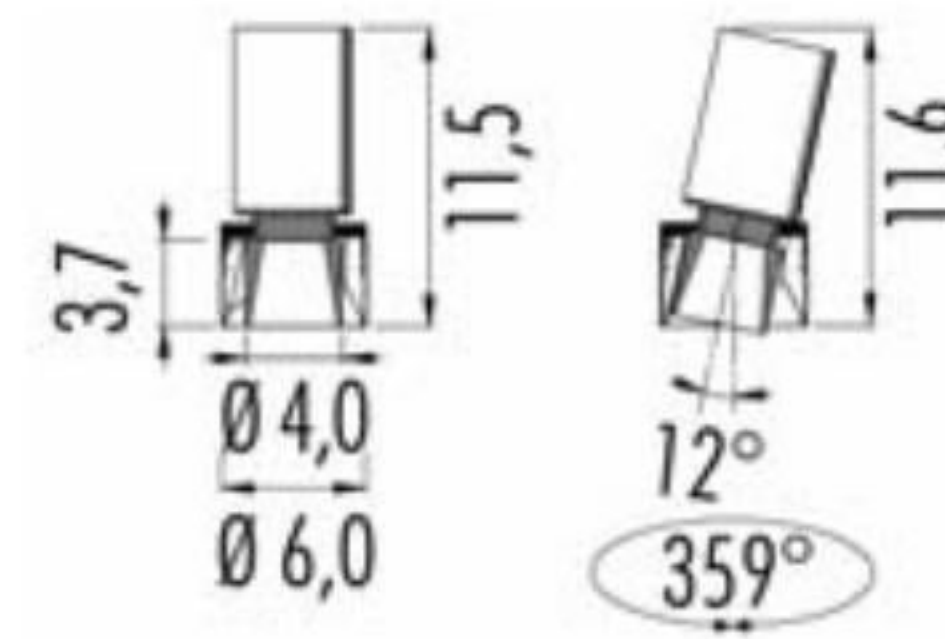
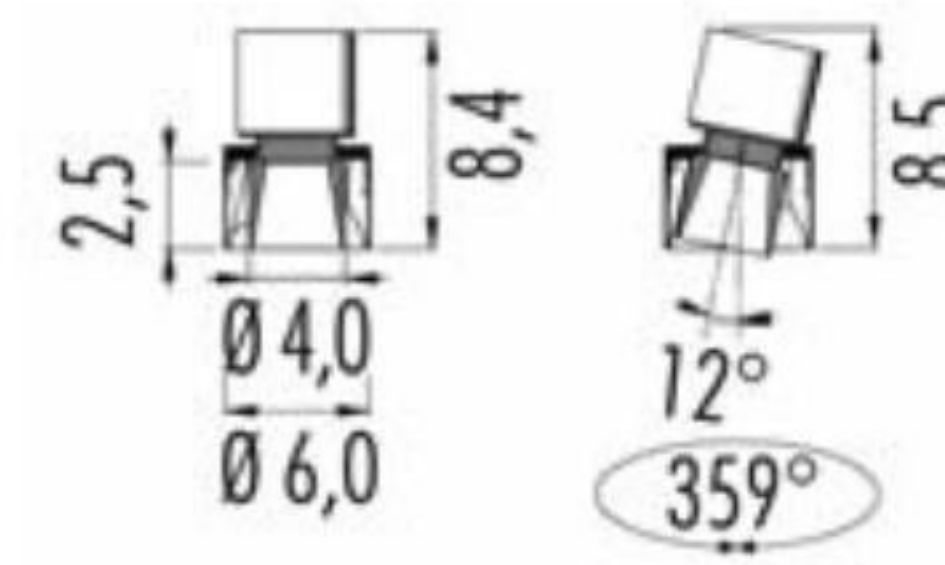
Housing for brickwork - Cassaforma laterizio

1E00.055.01

Pop 03 \varnothing 6,0 trimless
For plasterboard. Per cartongesso



- **Frame - Struttura**
- 02 ● **Black - Nero**
- 06 ○ **White - Bianco**



IP20

12V
3P03.200. □ **GU4** max 35W
3KIT.201.050 max 50VA
Dimmable gear: IGBT

IP40

350m/A **LED 11W** CRI>95
3P03.2 ■ **S.** □

■ Led color	Nominal lm	▲ Beam spread
2 = 2700K	1195	22°
3 = 3000K	1257	
4 = 4000K	1313	

© (m-M) Driver

- 3KIT.350.1L** (1-1) on/off
3KIT.351.40 (1-3) DALI - Push - 1...10V
remote installation - in remoto
3KIT.352.15 (1-1) DALI
3KIT.353.15 (1-1) Push - 1...10V
3KIT.354.18 (1-1) IGBT - TRIAC

Emergency unit: (inverter + battery. Driver not included)
remote installation - in remoto

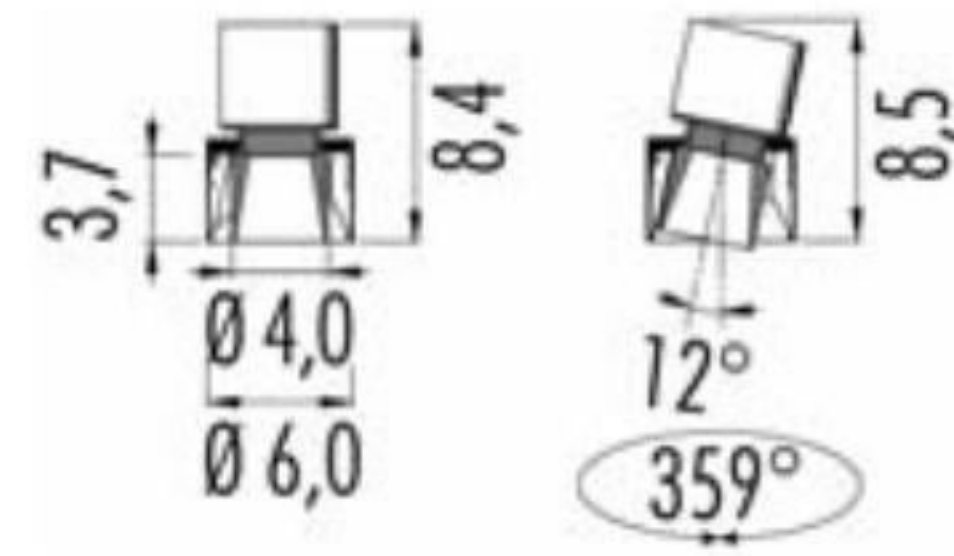
- 3KIT.900.01** (1-1) 1:00 hour
3KIT.900.03 (1-1) 3:00 hours

Housing for plasterboard - Cassaforma cartongesso \varnothing 7,6cm

- **1Z00.060.01**

Pop 03 NaNo Ø 6,0 trimless

For plasterboard. Per cartongesso



IP40	CE	CE	F	⊕
250m/A	LED 8W	CRI>95		
3N03.2 ■ S. □				
■ Led color	Nominal lm	▲ Beam spread		
2 = 2700K	779	22°		
3 = 3000K	819			
4 = 4000K	855			

© (m-M) Driver

3KIT.250.1L (1-1) on/off

3KIT.251.28 (1-3) DALI - Push - 1...10V
remote installation - in remoto

3KIT.252.12 (1-1) DALI

3KIT.253.13 (1-1) Push - 1...10V

3KIT.254.12 (1-1) IGBT - TRIAC

Emergency unit: (inverter + battery. Driver not included)
remote installation - in remoto

3KIT.900.01 (1-1) 1:00 hour

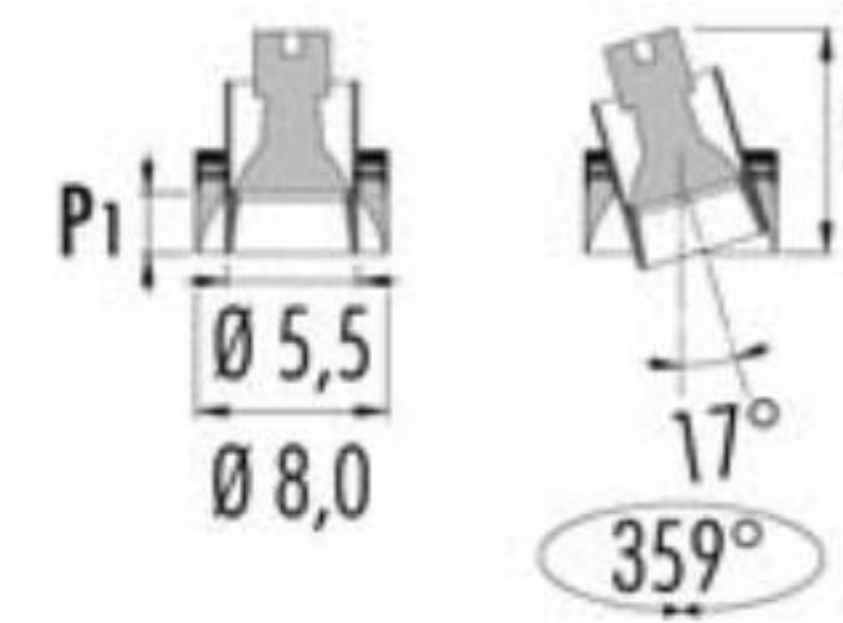
3KIT.900.03 (1-1) 3:00 hours

Housing for plasterboard - Cassaforma cartongesso  Ø 7,6cm

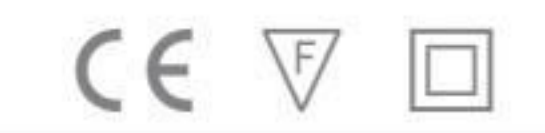
- **1Z00.060.01**

Pop 03 $\varnothing 8,0$ trimless

For plasterboard and brickwork. Per cartongesso e laterizio



IP20



220V \div 240V

3P03.210. **GU10** max 50W

3P03.211. **GU10** led

4P03.211. **GU10** led

With honeycomb. Con frangiluce

IP20



12V

3P03.220. **GU5.3** max 50W

4P03.220. **GU5.3** led

With honeycomb. Con frangiluce

3KIT.201.050 max 50VA

Dimmable gear: IGBT

IP40

Flicker < 20%



220V \div 240V

LED 9,5W

CRI>90

3P03.K dimm IGBT - TRIAC

4P03.K dimm IGBT - TRIAC

With honeycomb. Con frangiluce

■ Led color

Nominal lm

▲ Beam spread

2 = 2700K

710

M = 36°

3 = 3000K

760

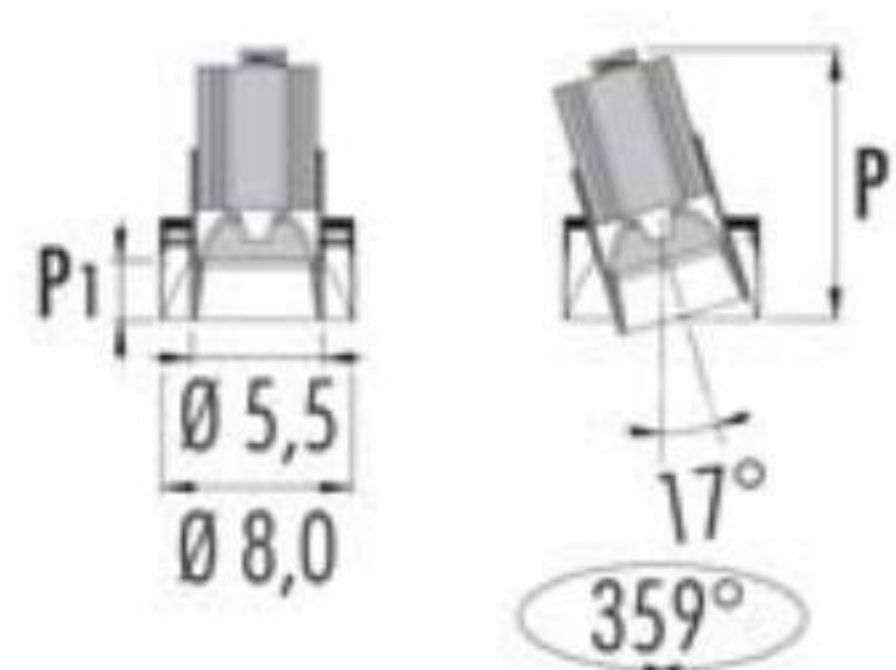
S = 24°

Frame - Struttura

02 ● Black - Nero

06 ○ White - Bianco

Pop P03		P	P1
3P03.210.	<input type="checkbox"/> GU10	11,0	2,5
3P03.211.	<input type="checkbox"/> GU10 led	—	2,5
4P03.211.	<input type="checkbox"/> GU10 led + honeycomb	—	2,5
3P03.220.	<input type="checkbox"/> GU5.3	9,4	2,5
4P03.220.	<input type="checkbox"/> GU5.3 led + honeycomb	—	2,5
3P03.K	<input type="checkbox"/> led 9,5W IP40	11,4	2,5
4P03.K	<input type="checkbox"/> led 9,5W IP40 + honeycomb	11,9	2,5



Pop P03		P	P1
3P03.3	M. □ led IP40	9,0	0,5
3P03.3	S. □ led IP40	11,0	2,5
3P03.3	T. □ led IP40	9,0	0,5
4P03.3	M. □ led IP40 + honeycomb	9,5	0,5
4P03.3	S. □ led IP40 + honeycomb	11,5	2,5
4P03.3	T. □ led IP40 + honeycomb	9,5	0,5
3P03.3WM. □	led IP40	6,8	0,5
3P03.3WS. □	led IP40	8,8	2,5
4P03.3WM. □	led IP40 + honeycomb	7,3	0,5
4P03.3WS. □	led IP40 + honeycomb	9,3	2,5

IP40	MC-E=3	CE	F	Ⓢ
350m/A	LED 11W	CRI>95		
3P03.3	■▲.□			
4P03.3	■▲.□			
With honeycomb. Con frangiluce				

■ Led color	Nominal lm	▲ Beam spread
2 = 2700K	1195	M = 38°
3 = 3000K	1257	S = 22°
4 = 4000K	1313	T = 10°

© (m-M)	Driver
3KIT.350.1L (1-1)	on/off
3KIT.351.40 (1-3)	DALI - Push - 1...10V remote installation - in remoto
3KIT.352.15 (1-1)	DALI
3KIT.353.15 (1-1)	Push - 1...10V
3KIT.354.18 (1-1)	IGBT - TRIAC

Emergency unit: (inverter + battery. Driver not included)

3KIT.900.01 (1-1)	1:00 hour
3KIT.900.03 (1-1)	3:00 hours

IP40	DimToWarm	CE	F	Ⓢ
350m/A	LED 6W	CRI 95		
3P03.3W	▲.□			
4P03.3W	▲.□			
With honeycomb. Con frangiluce				

■ Led color	Nominal lm	▲ Beam spread
W= max 3000K min. 1800K	max 445 lm min. 10 lm	M = 30° S = 18°

© (m-M)	Driver
3KIT.352.W15 (1-1)	DALI
3KIT.354.W10 (1-1)	IGBT - TRIAC

Housing for plasterboard - Cassaforma cartongesso Ø 9,5cm

- 1Z00.080.01 Single
- 1Z00.080.2L Double
- 1Z00.080.3L Triple

Housing for brickwork - Cassaforma laterizio

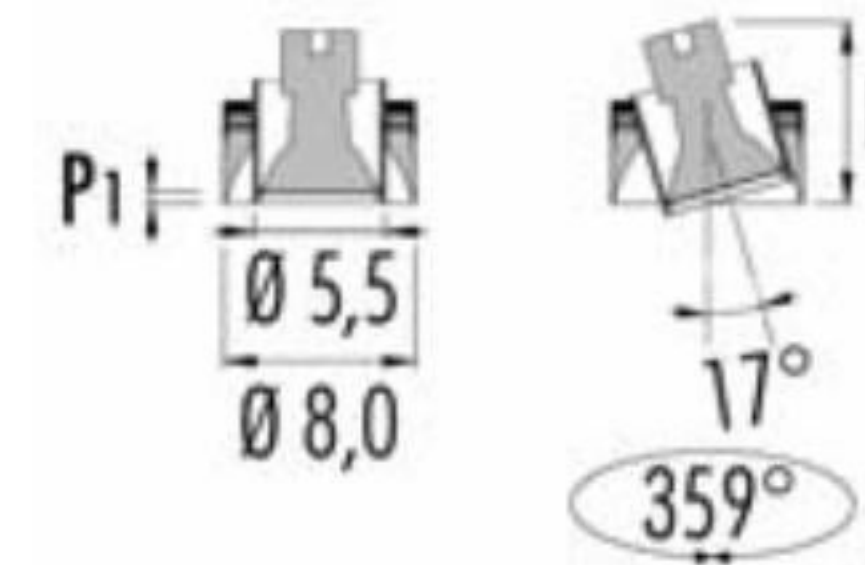
- 1M00.080.01

(m-M) = min. Led unit - Max Led unit. Led and Emergency unit, warranty only when used together with driver bought from Oty srl.

(m-M) = gestione minima e massima delle unità Led. I Led e le unità di emergenza, sono coperti da garanzia solo se utilizzati in abbinamento con i driver forniti dalla Oty srl.

Pop 03 NaNo Ø 8,0 trimless

For plasterboard and brickwork. Per cartongesso e laterizio



IP20



220V ÷ 240V

3N03.210. □ GU10 max 50W

3N03.211. □ GU10 led

4N03.211. □ GU10 led

With honeycomb. Con frangiluce

IP20



12V

3N03.220. □ GU5.3 max 50W

4N03.220. □ GU5.3 led

With honeycomb. Con frangiluce

3KIT.201.050 max 50VA

Dimmable gear: IGBT

IP40

Flicker < 20%



220V ÷ 240V

LED 9,5W

CRI>90

3N03.K □ dimm IGBT - TRIAC

4N03.K □ dimm IGBT - TRIAC

With honeycomb. Con frangiluce

■ Led color

Nominal lm

▲ Beam spread

2 = 2700K

710

M = 36°

3 = 3000K

760

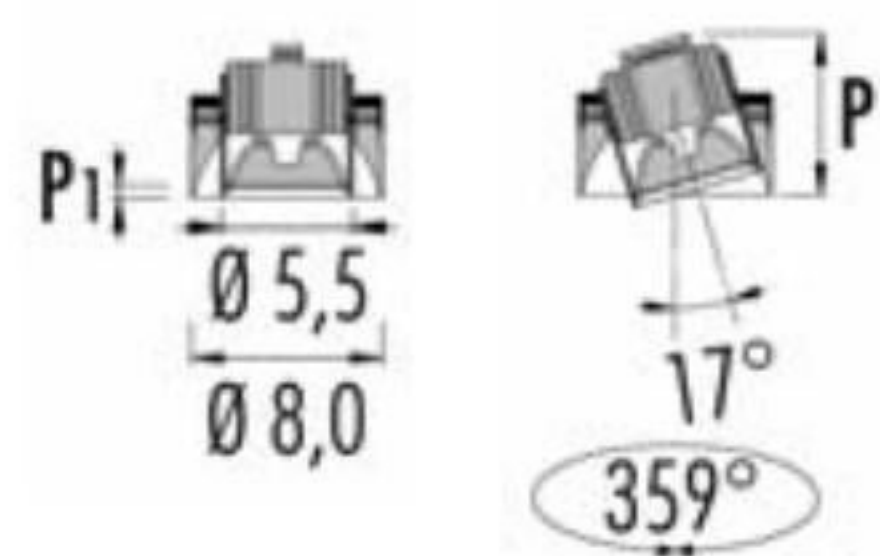
S = 24°

□ Frame - Struttura

02 ● Black - Nero

06 ○ White - Bianco

Pop NaNo N03		P	P ₁
3N03.210.□	GU10	9,1	0,5
3N03.211.□	GU10 led	—	0,5
4N03.211.□	GU10 led + honeycomb	—	0,5
3N03.220.□	GU5.3	7,5	0,5
4N03.220.□	GU5.3 led + honeycomb	—	0,5
3N03.K ■ ▲ □	led 9,5W IP40	10,0	0,5
4N03.K ■ ▲ □	led 9,5W IP40 + honeycomb	10,5	0,5



Pop NaNo NO3		P	P1
3N03.3	M. □ led IP40	6,1	0,5
3N03.3	S. □ led IP40	6,1	0,5
3N03.3	T. □ led IP40	6,1	0,5
4N03.3	M. □ led IP40 + honeycomb	6,6	0,5
4N03.3	S. □ led IP40 + honeycomb	6,6	0,5
4N03.3	T. □ led IP40 + honeycomb	6,6	0,5

IP40 MC-E=3
 250lm/A **LED 8W** CRI>95

3N03.3

4N03.3

With honeycomb. Con frangiluce

Led color	Nominal lm	Beam spread
2 = 2700K	779	M = 38°
3 = 3000K	819	S = 22°
4 = 4000K	855	T = 10°

(m-M) Driver

3KIT.250.1L (1-1) on/off

3KIT.251.28 (1-3) DALI - Push - 1...10V
remote installation - in remoto

3KIT.252.12 (1-1) DALI

3KIT.253.13 (1-1) Push - 1...10V

3KIT.254.12 (1-1) IGBT - TRIAC

Emergency unit: (inverter + battery. Driver not included)

3KIT.900.01 (1-1) 1:00 hour

3KIT.900.03 (1-1) 3:00 hours

Housing for plasterboard - Cassaforma cartongesso Ø 9,5cm

- **1Z00.080.01** Single
- **1Z00.080.2L** Double
- **1Z00.080.3L** Triple

Housing for brickwork - Cassaforma laterizio

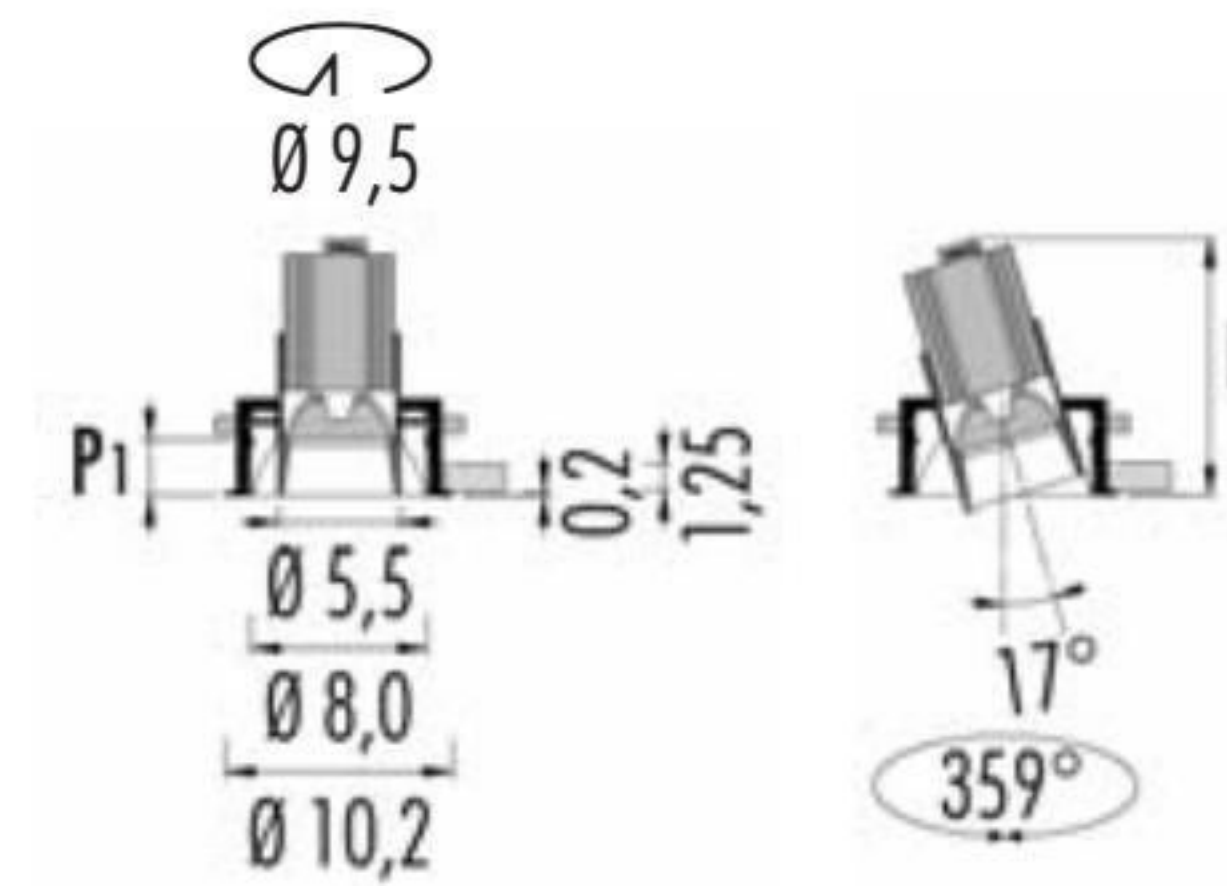
- **1M00.080.01**

(m-M) = min. Led unit - Max Led unit. Led and Emergency unit, warranty only when used together with driver bought from Oty srl.

(m-M) = gestione minima e massima delle unità Led. I Led e le unità di emergenza, sono coperti da garanzia solo se utilizzati in abbinamento con i driver forniti dalla Oty srl.

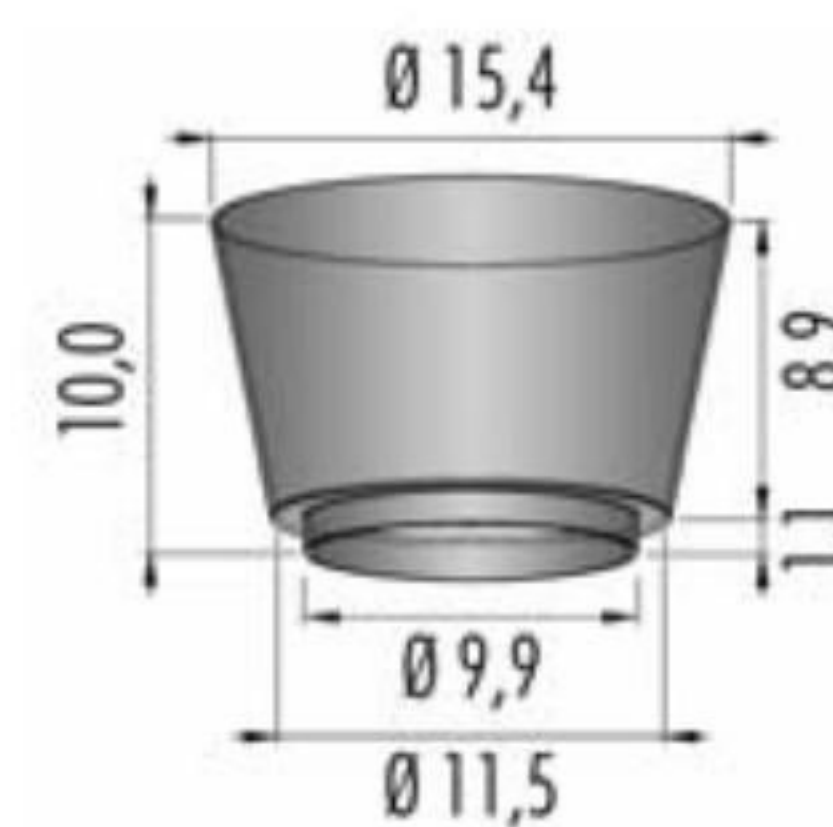
easy Pop 03 Ø 8,0 with trim

For plasterboard and brickwork. Per cartongesso e laterizio



- Frame - Struttura
- 02 ● Black - Nero
- 06 ○ White - Bianco

easy Pop E03		P	P1
3E03.K	led 9,5W IP40	11,4	2,5
4E03.K	led 9,5W IP40 + honeycomb	11,9	2,5
3E03.3	led IP40	9,0	0,5
3E03.3	led IP40	11,0	2,5
3E03.3	led IP40	9,0	0,5
4E03.3	led IP40 + honeycomb	9,5	0,5
4E03.3	led IP40 + honeycomb	11,5	2,5
4E03.3	led IP40 + honeycomb	9,5	0,5
3E03.3WM	led IP40	6,8	0,5
3E03.3WS	led IP40	8,8	2,5
4E03.3WM	led IP40 + honeycomb	7,3	0,5
4E03.3WS	led IP40 + honeycomb	9,3	2,5



Housing for brickwork - Cassaforma laterizio

1E00.080.01

IP40	Flicker < 20%	CE V
220V ÷ 240V	LED 9,5W	CRI > 90
3E03.K	dimm IGBT - TRIAC	
4E03.K	dimm IGBT - TRIAC	
With honeycomb. Con frangiluce		

Led color	Nominal lm	Beam spread
2 = 2700K	710	M = 36°
3 = 3000K	760	S = 24°

P40	MC-E=3	CE V
350m/A	LED 11W	CRI > 95
3E03.3		
4E03.3		
With honeycomb. Con frangiluce		

Led color	Nominal lm	Beam spread
2 = 2700K	1195	M = 38°
3 = 3000K	1257	S = 22°
4 = 4000K	1313	T = 10°

© (m-M) Driver

3KIT.350.1L (1-1)	on/off
3KIT.351.40 (1-3)	DALI - Push - 1...10V remote installation - in remoto
3KIT.352.15 (1-1)	DALI
3KIT.353.15 (1-1)	Push - 1...10V
3KIT.354.18 (1-1)	IGBT - TRIAC

Emergency unit: (inverter + battery. Driver not included)

3KIT.900.01 (1-1)	1:00 hour
3KIT.900.03 (1-1)	3:00 hours

IP40	DimToWarm	CE V
350m/A	LED 6W	CRI 95
3E03.3W		
4E03.3W		
With honeycomb		

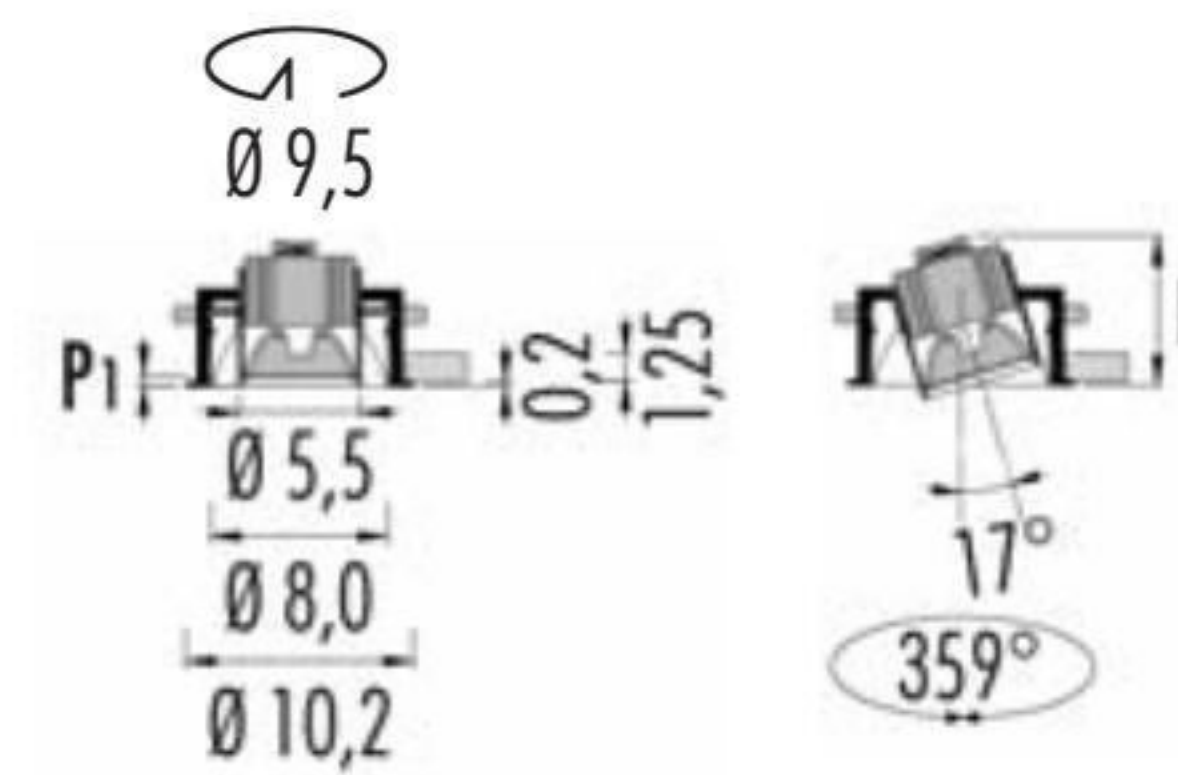
Led color	Nominal lm	Beam spread
W= max 3000K min. 1800K	max 445 lm min. 10 lm	M = 30° S = 18°

© (m-M) Driver

3KIT.352.W15 (1-1)	DALI
3KIT.354.W10 (1-1)	IGBT - TRIAC

(m-M) = min. Led unit - Max Led unit. Led and Emergency unit, warranty only when used together with driver bought from Oty srl.

easy Pop 03 NaNo Ø 8,0 with trim
For plasterboard and brickwork. Per cartongesso e laterizio



IP40	Flicker < 20%	CE	▽	□
220V ÷ 240V	LED 9,5W	CRI>90		
3F03.K ■▲.□	dimm IGBT - TRIAC			
4F03.K ■▲.□	dimm IGBT - TRIAC			
<i>With honeycomb. Con frangiluce</i>				

■ Led color	Nominal lm	▲ Beam spread
2 = 2700K	710	M = 36°
3 = 3000K	760	S = 24°

IP40	⊙	MC-E=3	CE	▽	◇
250m/A	LED 8W	CRI>95			
3F03.3 ■▲.□					
4F03.3 ■▲.□					
<i>With honeycomb. Con frangiluce</i>					

■ Led color	Nominal lm	▲ Beam spread
2 = 2700K	779	M = 38°
3 = 3000K	819	S = 22°
4 = 4000K	855	T = 10°

⊙ (m-M) Driver

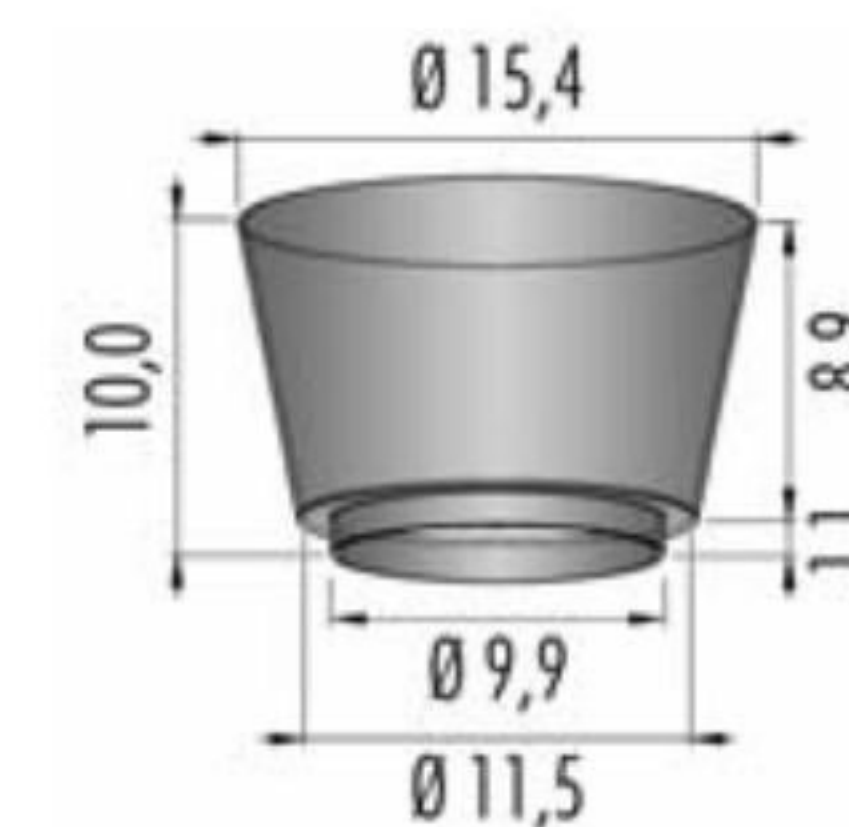
3KIT.250.1L (1-1)	on/off
3KIT.251.28 (1-3)	DALI - Push - 1...10V remote installation - in remoto
3KIT.252.12 (1-1)	DALI
3KIT.253.13 (1-1)	Push - 1...10V
3KIT.254.12 (1-1)	IGBT - TRIAC

Emergency unit: (inverter + battery. Driver not included)

3KIT.900.01 (1-1)	1:00 hour
3KIT.900.03 (1-1)	3:00 hours

□	Frame - Struttura
02 ●	Black - Nero
06 ○	White - Bianco

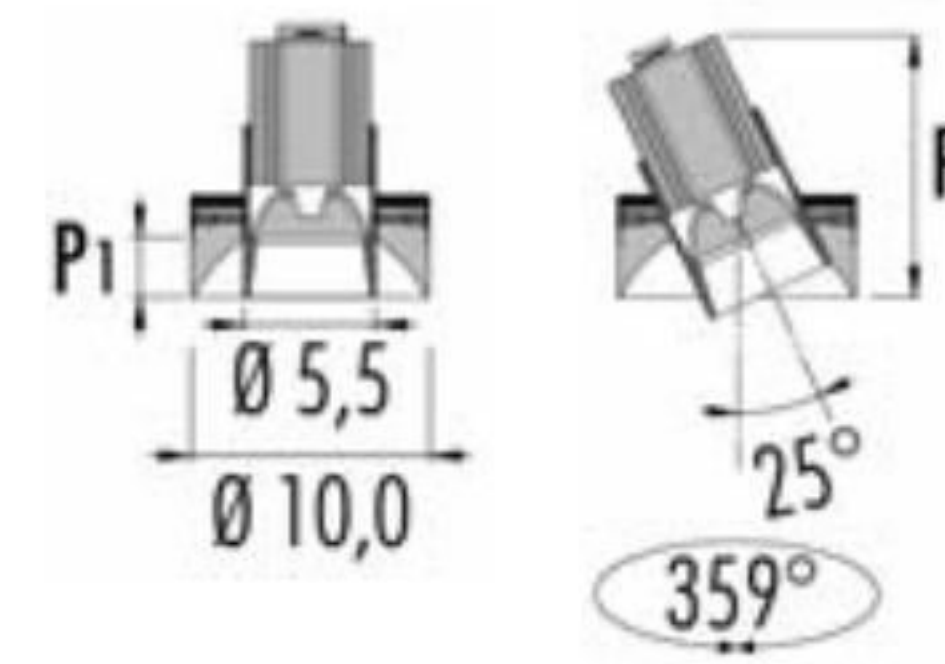
easy NaNo Pop F03		P	P1
3F03.K ■▲.□	led 9,5W IP40	9,5	0,5
4F03.K ■▲.□	led 9,5W IP40 + honeycomb	9,9	0,5
3F03.3 ■ M.□	led IP40	6,1	0,5
3F03.3 ■ S.□	led IP40	6,1	0,5
3F03.3 ■ T.□	led IP40	6,1	0,5
4F03.3 ■ M.□	led IP40 + honeycomb	6,6	0,5
4F03.3 ■ S.□	led IP40 + honeycomb	6,6	0,5
4F03.3 ■ T.□	led IP40 + honeycomb	6,6	0,5



Housing for brickwork - Cassaforma laterizio

1E00.080.01

Pop X3 Ø 10,0 trimless
For plasterboard. Per cartongesso



IP40	Flicker < 20%	CE V
220V ÷ 240V	LED 9,5W	CRI>90
3PX3.K ■▲.□	dimm IGBT - TRIAC	
4PX3.K ■▲.□	dimm IGBT - TRIAC	
<i>With honeycomb. Con frangiluce</i>		

■ Led color	Nominal lm	▲ Beam spread
2 = 2700K	710	M = 36°
3 = 3000K	760	S = 24°

IP40	MC-E=3	CE V
350m/A	LED 11W	CRI>95
3PX3.3 ■▲.□		
4PX3.3 ■▲.□		
<i>With honeycomb. Con frangiluce</i>		

■ Led color	Nominal lm	▲ Beam spread
2 = 2700K	1195	M = 38°
3 = 3000K	1257	S = 22°
4 = 4000K	1313	T = 10°

© (m-M) Driver

3KIT.350.1L (1-1)	on/off
3KIT.351.40 (1-3)	DALI - Push - 1...10V <i>remote installation - in remoto</i>
3KIT.352.15 (1-1)	DALI
3KIT.353.15 (1-1)	Push - 1...10V
3KIT.354.18 (1-1)	IGBT - TRIAC

Emergency unit: (inverter + battery. Driver not included)

3KIT.900.01 (1-1)	1:00 hour
3KIT.900.03 (1-1)	3:00 hours

□ Frame - Struttura

02 ● Black - Nero

06 ○ White - Bianco

Pop PX3	P	P1
3PX3.K ■▲.□ led 9,5W IP40	11,4	2,5
4PX3.K ■▲.□ led 9,5W IP40 + honeycomb	11,9	2,5
3PX3.3 ■ M.□ led IP40	9,0	0,5
3PX3.3 ■ S.□ led IP40	11,0	2,5
3PX3.3 ■ T.□ led IP40	9,0	0,5
4PX3.3 ■ M.□ led IP40 + honeycomb	9,5	0,5
4PX3.3 ■ S.□ led IP40 + honeycomb	11,5	2,5
4PX3.3 ■ T.□ led IP40 + honeycomb	9,5	0,5
3PX3.3WM.□ led IP40	6,8	0,5
3PX3.3WS.□ led IP40	8,8	2,5
4PX3.3WM.□ led IP40 + honeycomb	7,3	0,5
4PX3.3WS.□ led IP40 + honeycomb	9,3	2,5

Housing for plasterboard - Cassaforma cartongesso Ø 11,4cm

● **1Z00.100.01**

IP40	DimToWarm	CE V
350m/A	LED 6W	CRI 95
3PX3.3W ■▲.□		
4PX3.3W ■▲.□		
<i>With honeycomb. Con frangiluce</i>		

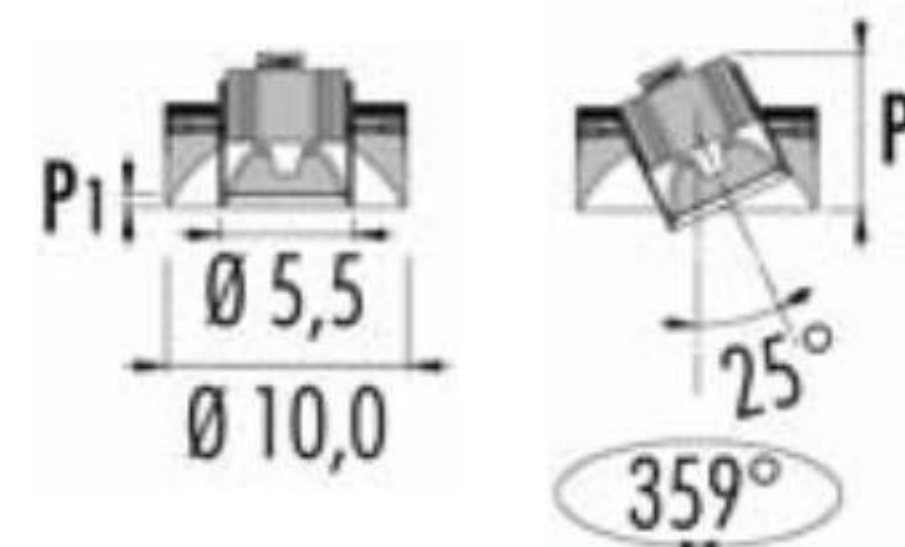
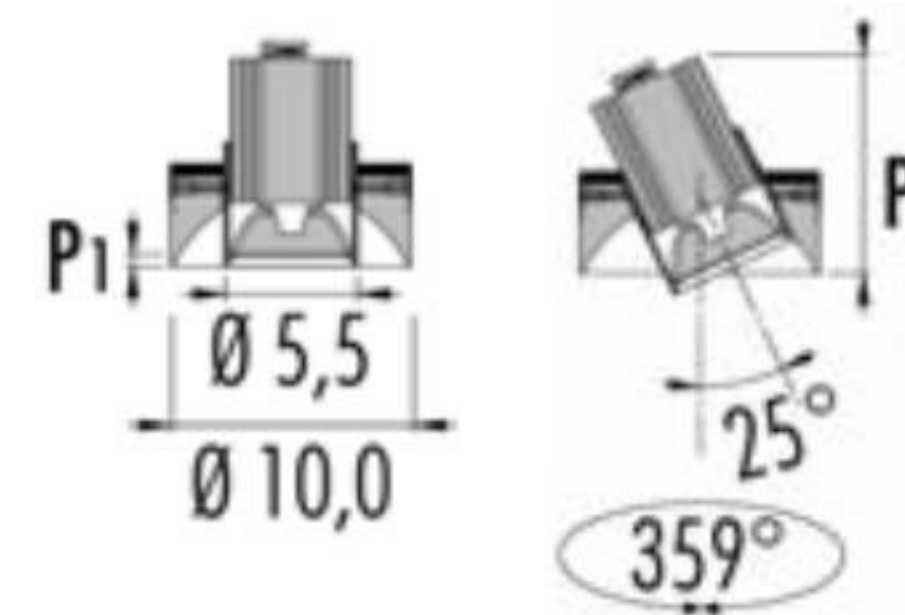
■ Led color	Nominal lm	▲ Beam spread
W= max 3000K min. 1800K	max 445 lm min. 10 lm	M = 30° S = 18°

© (m-M) Driver

3KIT.352.W15 (1-1)	DALI
3KIT.354.W10 (1-1)	IGBT - TRIAC

(m-M) = min. Led unit - Max Led unit. Led and Emergency unit, warranty only when used together with driver bought from Oty srl.

Pop X3 NaNo Ø 10,0 trimless
For plasterboard. Per cartongesso



- *Frame - Struttura*
- 02 ● Black - Nero
- 06 ○ White - Bianco

<i>Pop NaNo NX3</i>		P	P1
3NX3.K	led 9,5W IP40	9,5	0,5
4NX3.K	led 9,5W IP40 + honeycomb	9,9	0,5
3NX3.3	led IP40	6,1	0,5
3NX3.3	led IP40	6,1	0,5
3NX3.3	led IP40	6,1	0,5
4NX3.3	led IP40 + honeycomb	6,6	0,5
4NX3.3	led IP40 + honeycomb	6,6	0,5
4NX3.3	led IP40 + honeycomb	6,6	0,5

IP40	Flicker < 20%	CE
220V ÷ 240V	LED 9,5W	CRI>90
3NX3.K	dimm IGBT - TRIAC	
4NX3.K	dimm IGBT - TRIAC	
<i>With honeycomb. Con frangiluce</i>		

Led color	Nominal lm	Beam spread
2 = 2700K	710	M = 36°
3 = 3000K	760	S = 24°

IP40	MC-E=3	CE
250m/A	LED 8W	CRI>95
3NX3.3		
4NX3.3		
<i>With honeycomb. Con frangiluce</i>		

Led color	Nominal lm	Beam spread
2 = 2700K	779	M = 38°
3 = 3000K	819	S = 22°
4 = 4000K	855	T = 10°

© (m-M) Driver

- 3KIT.250.1L (1-1) on/off
- 3KIT.251.28 (1-3) DALI - Push - 1...10V
remote installation - in remoto
- 3KIT.252.12 (1-1) DALI
- 3KIT.253.13 (1-1) Push - 1...10V
- 3KIT.254.12 (1-1) IGBT - TRIAC

Emergency unit: (inverter + battery. Driver not included)

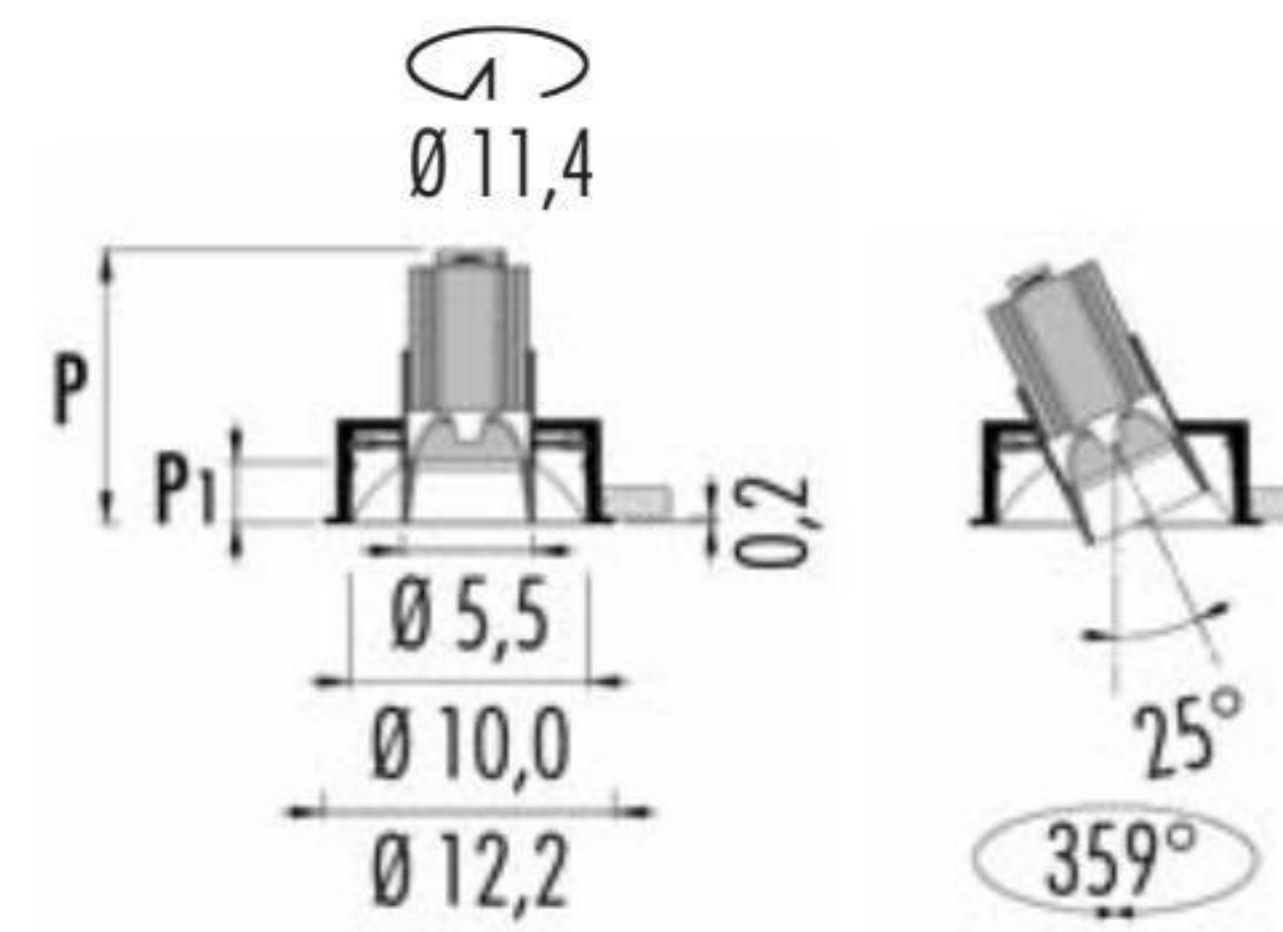
- 3KIT.900.01 (1-1) 1:00 hour
- 3KIT.900.03 (1-1) 3:00 hours

Housing for plasterboard - Cassaforma cartongesso Ø 11,4cm

- 1Z00.100.01

easy Pop X3 Ø 10,0 with trim

For plasterboard and brickwork. Per cartongesso e laterizio



IP40	Flicker < 20%	CE V
220V ÷ 240V	LED 9,5W	CRI>90
3EX3.K ■▲.□	dimm IGBT - TRIAC	
4EX3.K ■▲.□	dimm IGBT - TRIAC	
With honeycomb. Con frangiluce		

■ Led color	Nominal lm	▲ Beam spread
2 = 2700K	710	M = 36°
3 = 3000K	760	S = 24°

IP40	MC-E=3	CE V
350m/A	LED 11W	CRI>95
3EX3.3 ■▲.□		
4EX3.3 ■▲.□		
With honeycomb. Con frangiluce		

■ Led color	Nominal lm	▲ Beam spread
2 = 2700K	1195	M = 38°
3 = 3000K	1257	S = 22°
4 = 4000K	1313	T = 10°

© (m-M) Driver

3KIT.350.1L (1-1)	on/off
3KIT.351.40 (1-3)	DALI - Push - 1...10V remote installation - in remoto
3KIT.352.15 (1-1)	DALI
3KIT.353.15 (1-1)	Push - 1...10V
3KIT.354.18 (1-1)	IGBT - TRIAC

Emergency unit: (inverter + battery. Driver not included)

3KIT.900.01 (1-1)	1:00 hour
3KIT.900.03 (1-1)	3:00 hours

IP40	DimToWarm	CE V
350m/A	LED 6W	CRI 95
3EX3.3W ■▲.□		
4EX3.3W ■▲.□		
With honeycomb. Con frangiluce		

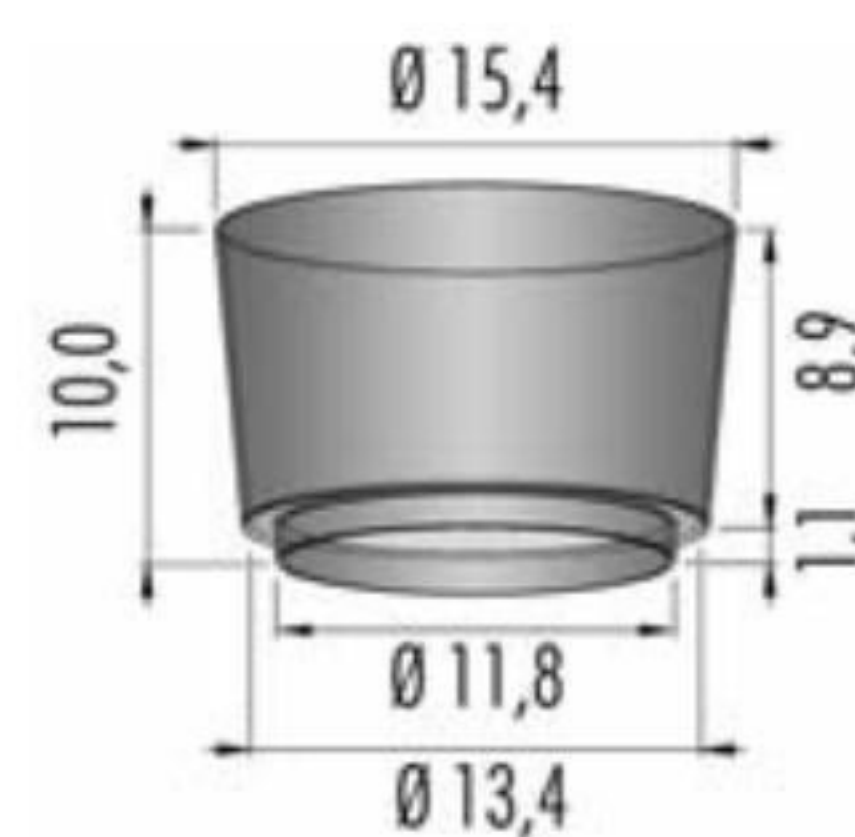
■ Led color	Nominal lm	▲ Beam spread
W= max 3000K min. 1800K	max 445 lm min. 10 lm	M = 30° S = 18°

© (m-M) Driver

3KIT.352.W15 (1-1)	DALI
3KIT.354.W10 (1-1)	IGBT - TRIAC

□	Frame - Struttura
02 ●	Black - Nero
06 ○	White - Bianco

easy Pop EX3		P	P1
3EX3.K ■▲.□	led 9,5W IP40	11,4	2,5
4EX3.K ■▲.□	led 9,5W IP40+honeycomb	11,9	2,5
3EX3.3 ■ M.□	led IP40	9,0	0,5
3EX3.3 ■ S.□	led IP40	11,0	2,5
3EX3.3 ■ T.□	led IP40	9,0	0,5
4EX3.3 ■ M.□	led IP40+honeycomb	9,5	0,5
4EX3.3 ■ S.□	led IP40+honeycomb	11,5	2,5
4EX3.3 ■ T.□	led IP40+honeycomb	9,5	0,5
3EX3.3WM .□	led IP40	6,8	0,5
3EX3.3WS .□	led IP40	8,8	2,5
4EX3.3WM .□	led IP40+honeycomb	7,3	0,5
4EX3.3WS .□	led IP40+honeycomb	9,3	2,5

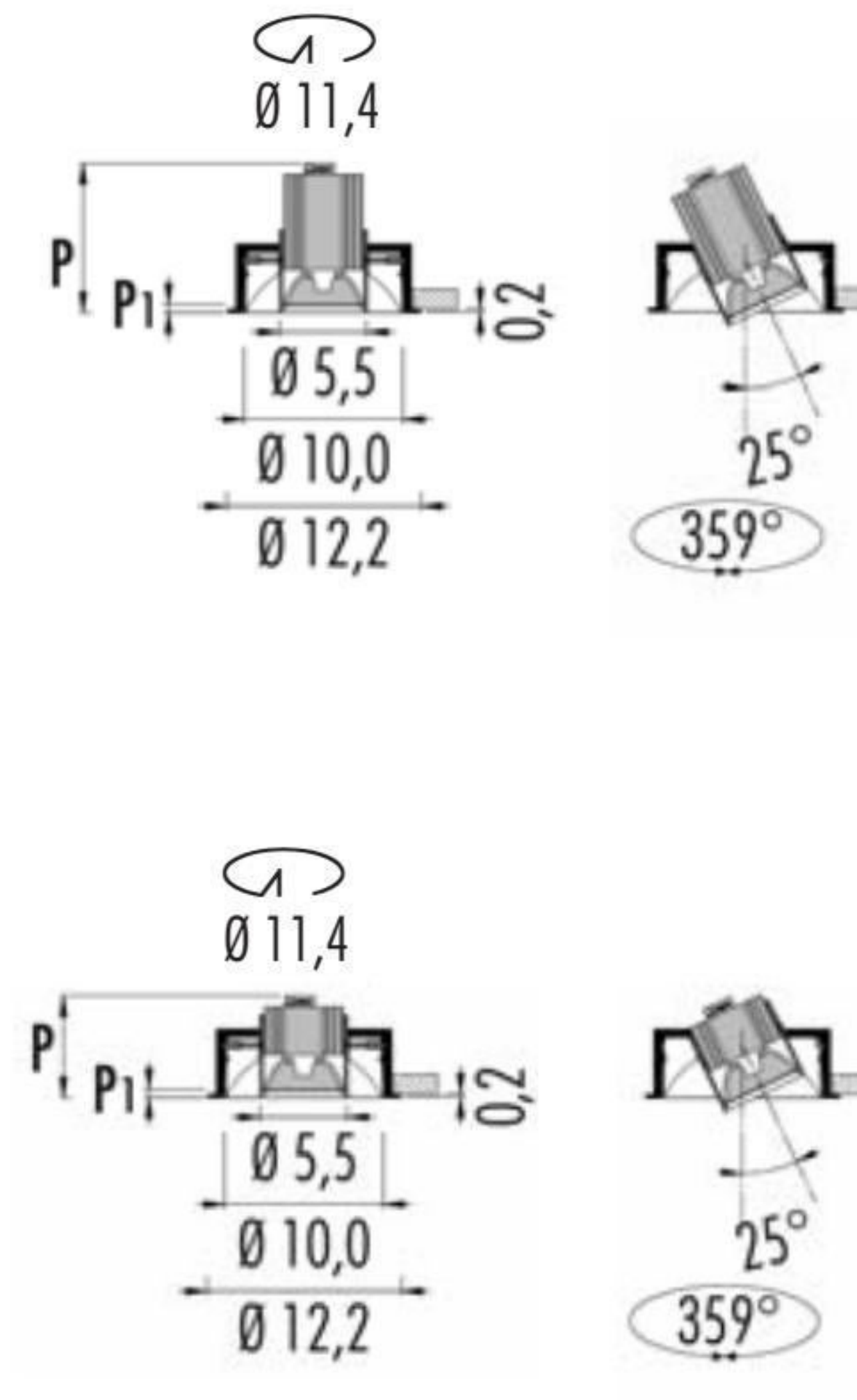


Housing for brickwork - Cassaforma laterizio

1E00.100.01

(m-M) = min. Led unit - Max Led unit. Led and Emergency unit, warranty only when used together with driver bought from Oty srl.

easy Pop X3 NaNo Ø 10,0 with trim
For plasterboard and brickwork. Per cartongesso e laterizio



- Frame - Struttura
02 ● Black - Nero
06 ○ White - Bianco

easy NaNo Pop FX3		P	P1
3FX3.K	led 9,5W IP40	9,5	0,5
4FX3.K	led 9,5W IP40+honeycomb	9,9	0,5
3FX3.3	led IP40	6,1	0,5
3FX3.3	led IP40	6,1	0,5
3FX3.3	led IP40	6,1	0,5
4FX3.3	led IP40+honeycomb	6,6	0,5
4FX3.3	led IP40+honeycomb	6,6	0,5
4FX3.3	led IP40+honeycomb	6,6	0,5

IP40	Flicker < 20%	CE
220V ÷ 240V	LED 9,5W	CRI>90
3FX3.K	dim IGBT - TRIAC	
4FX3.K	dim IGBT - TRIAC	
With honeycomb. Con frangiluce		

Led color	Nominal lm	Beam spread
2 = 2700K	710	M = 36°
3 = 3000K	760	S = 24°

IP40	MC-E=3	CE
250m/A	LED 8W	CRI>95
3FX3.3		
4FX3.3		
With honeycomb. Con frangiluce		

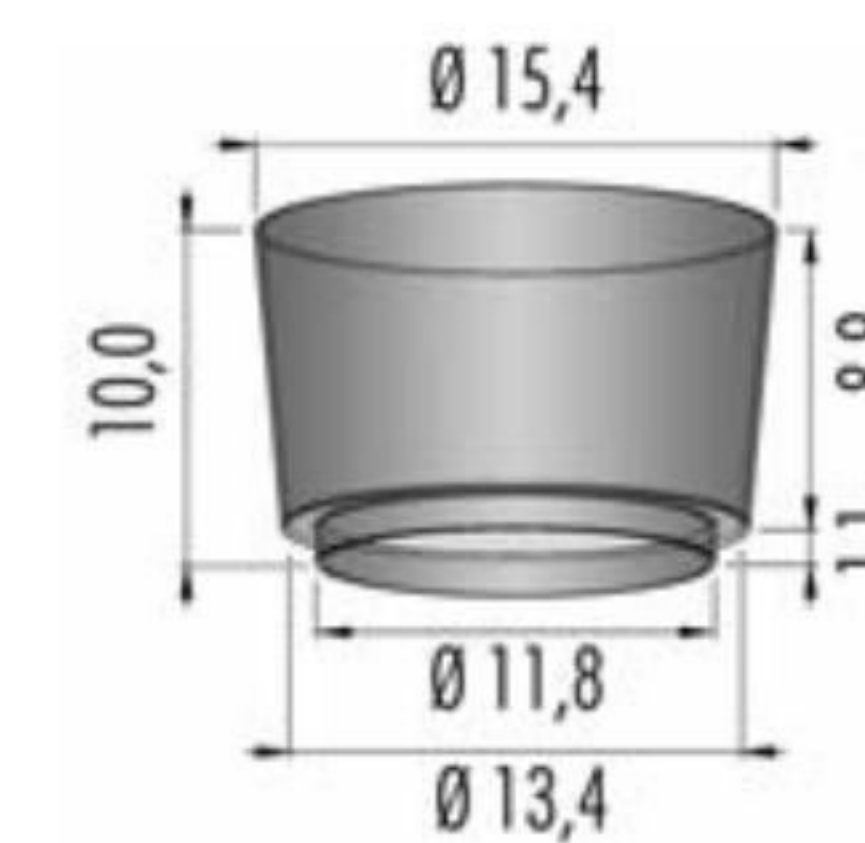
Led color	Nominal lm	Beam spread
2 = 2700K	779	M = 38°
3 = 3000K	819	S = 22°
4 = 4000K	855	T = 10°

© (m-M) Driver

- 3KIT.250.1L (1-1) on/off
3KIT.251.28 (1-3) DALI - Push - 1...10V
remote installation - in remoto
3KIT.252.12 (1-1) DALI
3KIT.253.13 (1-1) Push - 1...10V
3KIT.254.12 (1-1) IGBT - TRIAC

Emergency unit: (inverter + battery. Driver not included)

- 3KIT.900.01 (1-1) 1:00 hour
3KIT.900.03 (1-1) 3:00 hours



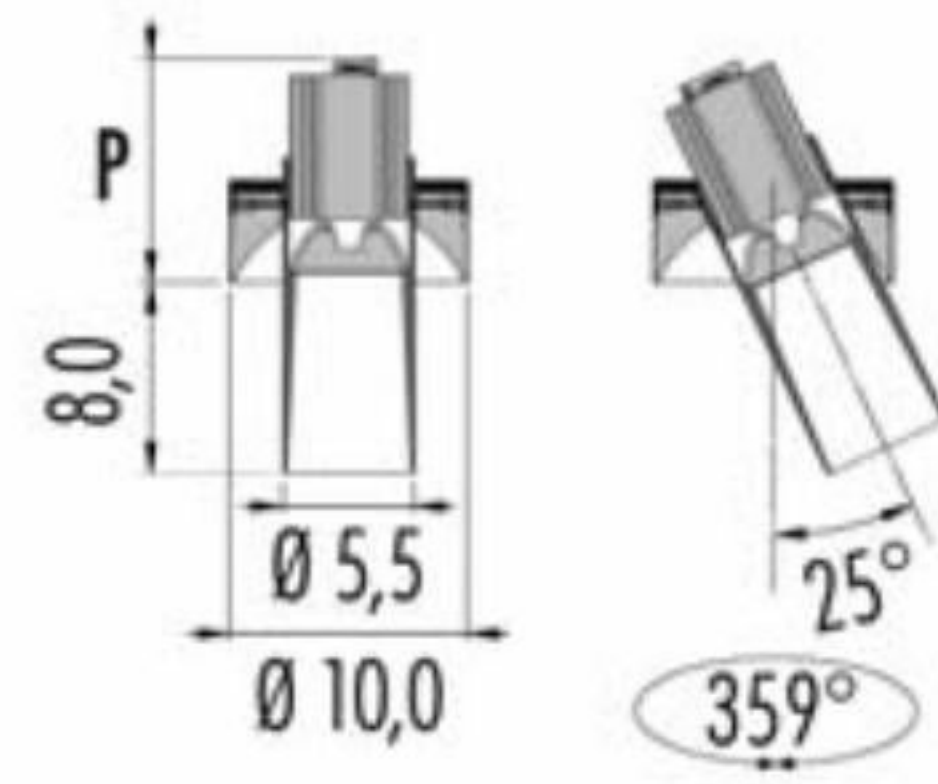
Housing for brickwork - Cassaforma laterizio

1E00.100.01

Pop Y3 Ø 10,0 trimless



Pop Y3 Ø 10,0 trimless
For plasterboard. Per cartongesso



- Frame - Struttura
02 ● Black - Nero
06 ○ White - Bianco

	Pop PY3	P
3PY3.K ■ S. □	led 9,5W IP40	9,5
4PY3.K ■ S. □	led 9,5W IP40+honeycomb	9,9
3PY3.3 ■ S. □	led IP40	8,5
4PY3.3 ■ S. □	led IP40 + honeycomb	9,0
3PY3.3WS. □	led IP40	6,1
4PY3.3WS. □	led IP40 + honeycomb	6,6

Housing for plasterboard - Cassaforma cartongesso Ø 11,4cm

- 1Z00.100.01

IP40	Flicker < 20%	CE ▽ □
220V ÷ 240V	LED 9,5W	CRI>90
3PY3.K ■ S. □	dimm IGBT - TRIAC	
4PY3.K ■ S. □	dimm IGBT - TRIAC	
<i>With honeycomb. Con frangiluce</i>		

■ Led color	Nominal lm	▲ Beam spread
2 = 2700K	710	20°
3 = 3000K	760	

IP40	MC-E=3	CE ▽ ◆
350m/A	LED 11W	CRI>95
3PY3.3 ■ S. □		
4PY3.3 ■ S. □		
<i>With honeycomb. Con frangiluce</i>		

■ Led color	Nominal lm	▲ Beam spread
2 = 2700K	1195	20°
3 = 3000K	1257	
4 = 4000K	1313	

© (m-M) Driver

3KIT.350.1L (1-1) on/off
3KIT.351.40 (1-3) DALI - Push - 1...10V
remote installation - in remoto

3KIT.352.15 (1-1) DALI
3KIT.353.15 (1-1) Push - 1...10V
3KIT.354.18 (1-1) IGBT - TRIAC

Emergency unit: (inverter + battery. Driver not included)

3KIT.900.01 (1-1) 1:00 hour
3KIT.900.03 (1-1) 3:00 hours

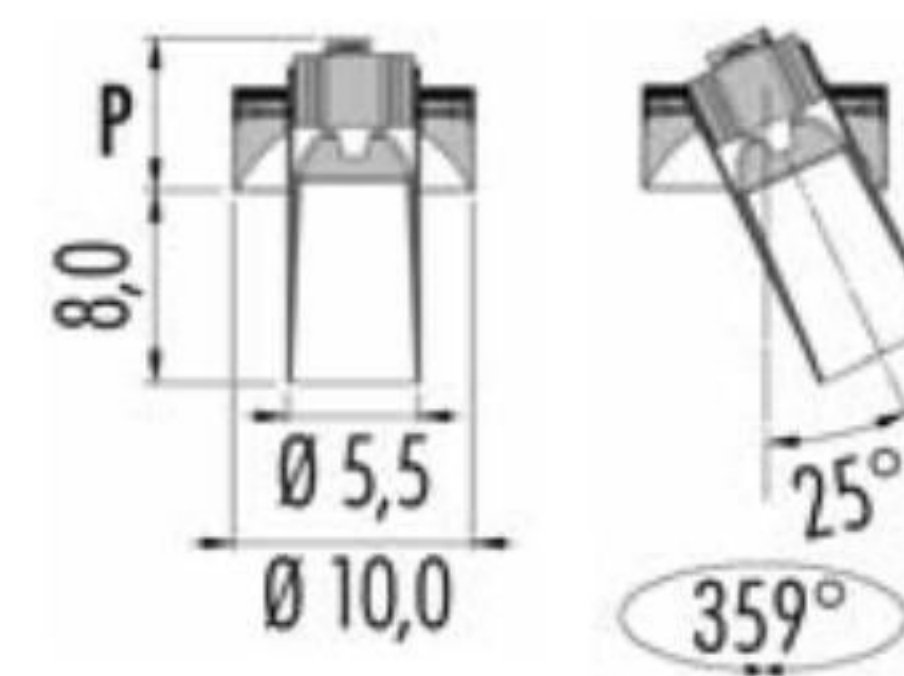
IP40	DimToWarm	CE ▽ ◆
350m/A	LED 6W	CRI 95
3PY3.3WS. □		
4PY3.3WS. □		
<i>With honeycomb. Con frangiluce</i>		

■ Led color	Nominal lm	▲ Beam spread
W= max 3000K min. 1800K	max 445 lm min. 10 lm	18°

© (m-M) Driver

3KIT.352.W15 (1-1) DALI
3KIT.354.W10 (1-1) IGBT - TRIAC

Pop Y3 NaNo Ø 10,0 trimless
For plasterboard. Per cartongesso



- Frame - Struttura
- 02 ● Black - Nero
- 06 ○ White - Bianco

	Pop NY3 NaNo	P
3NY3.3 ■ S. □	led IP40	5,5
4NY3.3 ■ S. □	led IP40 + honeycomb	6,0

IP40	MC-E=3	CE
250m/A	LED 8W	CRI>95
3NY3.3 ■ S. □		
4NY3.3 ■ S. □		
With honeycomb. Con frangiluce		

■ Led color	Nominal lm	▲ Beam spread
2 = 2700K	779	20°
3 = 3000K	819	
4 = 4000K	855	

© (m-M) Driver

3KIT.250.1L (1-1)	on/off
3KIT.251.28 (1-3)	DALI - Push - 1...10V remote installation - in remoto
3KIT.252.12 (1-1)	DALI
3KIT.253.13 (1-1)	Push - 1...10V
3KIT.254.12 (1-1)	IGBT - TRIAC

Emergency unit: (inverter + battery. Driver not included)

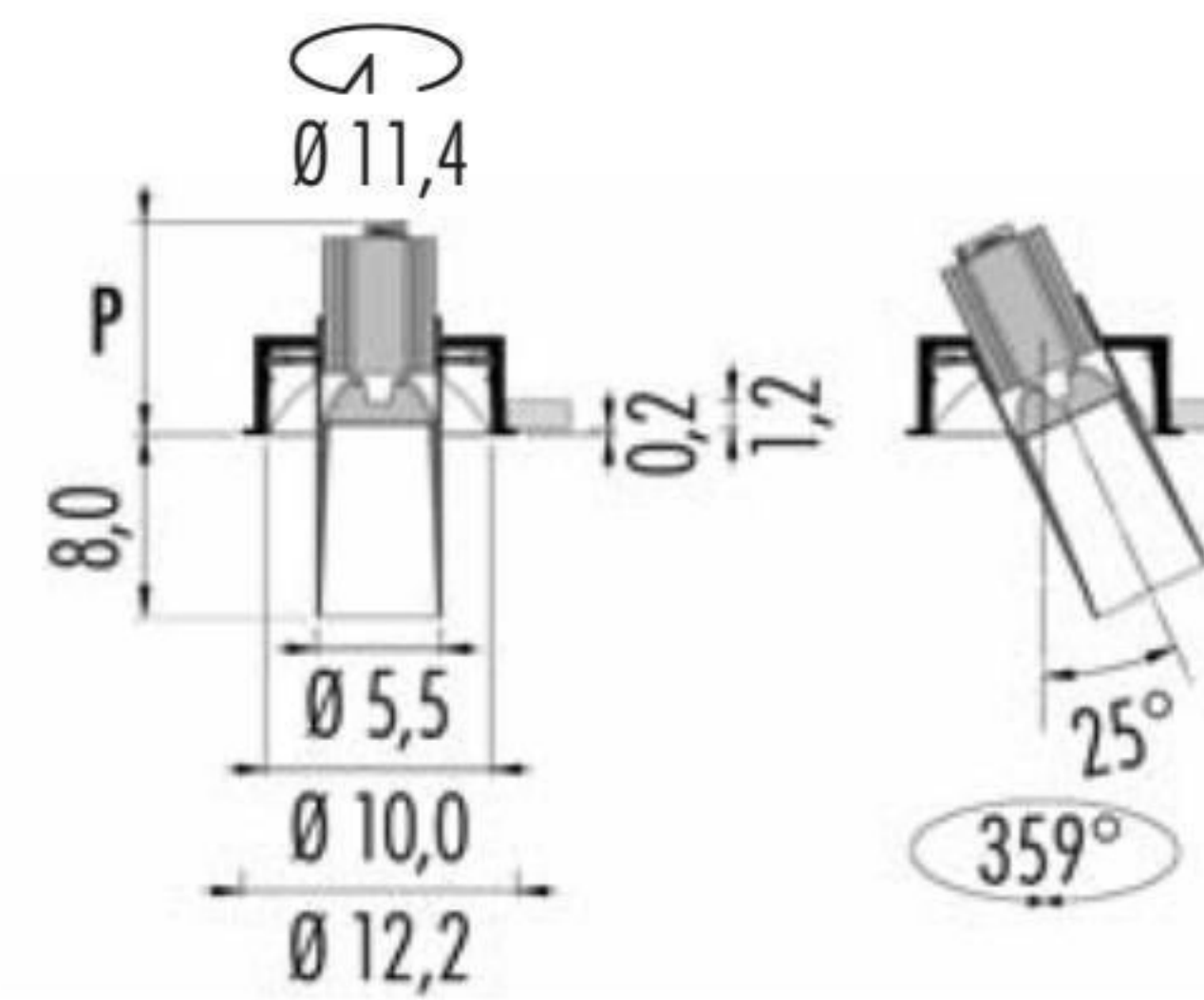
3KIT.900.01 (1-1)	1:00 hour
3KIT.900.03 (1-1)	3:00 hours

Housing for plasterboard - Cassaforma cartongesso ⌀ 11,4cm

- 1Z00.100.01

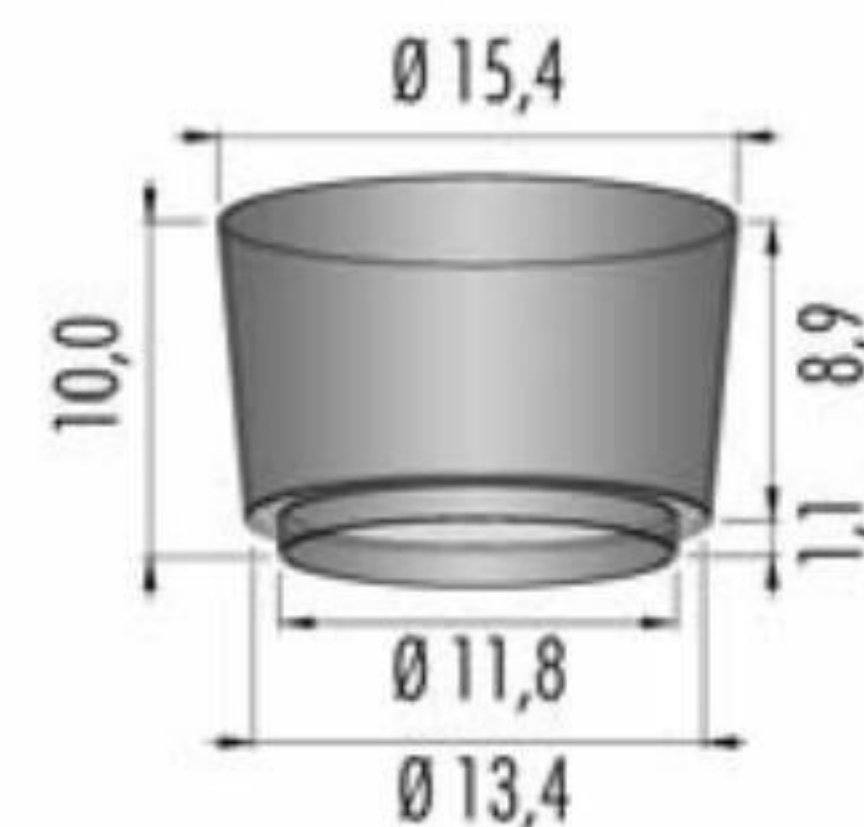
easy Pop Y3 Ø 10,0 with trim

For plasterboard and brickwork. Per cartongesso e laterizio



- Frame - Struttura
- 02 ● Black - Nero
- 06 ○ White - Bianco

easy Pop EY3		P
3EY3.K ■ S. □	led 9,5W IP40	9,5
4EY3.K ■ S. □	led 9,5W IP40+honeycomb	9,9
3EY3.3 ■ S. □	led IP40	8,5
4EY3.3 ■ S. □	led IP40 + honeycomb	9,0
3EY3.3WS. □	led IP40	6,1
4EY3.3WS. □	led IP40 + honeycomb	6,6



Housing for brickwork - Cassaforma laterizio

1E00.100.01

IP40	Flicker < 20%	CE ▽ □
220V ÷ 240V	LED 9,5W	CRI>90
3EY3.K ■ S. □	dimm IGBT - TRIAC	
4EY3.K ■ S. □	dimm IGBT - TRIAC	
With honeycomb. Con frangiluce		

Led color	Nominal lm	Beam spread
2 = 2700K	710	20°
3 = 3000K	760	

IP40 ©	MC-E=3	CE ▽ ◇
350m/A	LED 11W	CRI>95
3EY3.3 ■ S. □		
4EY3.3 ■ S. □		
With honeycomb. Con frangiluce		

Led color	Nominal lm	Beam spread
2 = 2700K	1195	20°
3 = 3000K	1257	
4 = 4000K	1313	

© (m-M) Driver

3KIT.350.1L (1-1) on/off

3KIT.351.40 (1-3) DALI - Push - 1...10V
remote installation - in remoto

3KIT.352.15 (1-1) DALI

3KIT.353.15 (1-1) Push - 1...10V

3KIT.354.18 (1-1) IGBT - TRIAC

Emergency unit: (inverter + battery. Driver not included)

3KIT.900.01 (1-1) 1:00 hour

3KIT.900.03 (1-1) 3:00 hours

IP40 ©	DimToWarm	CE ▽ ◇
350m/A	LED 6W	CRI 95
3EY3.3WS. □		
4EY3.3WS. □		
With honeycomb. Con frangiluce		

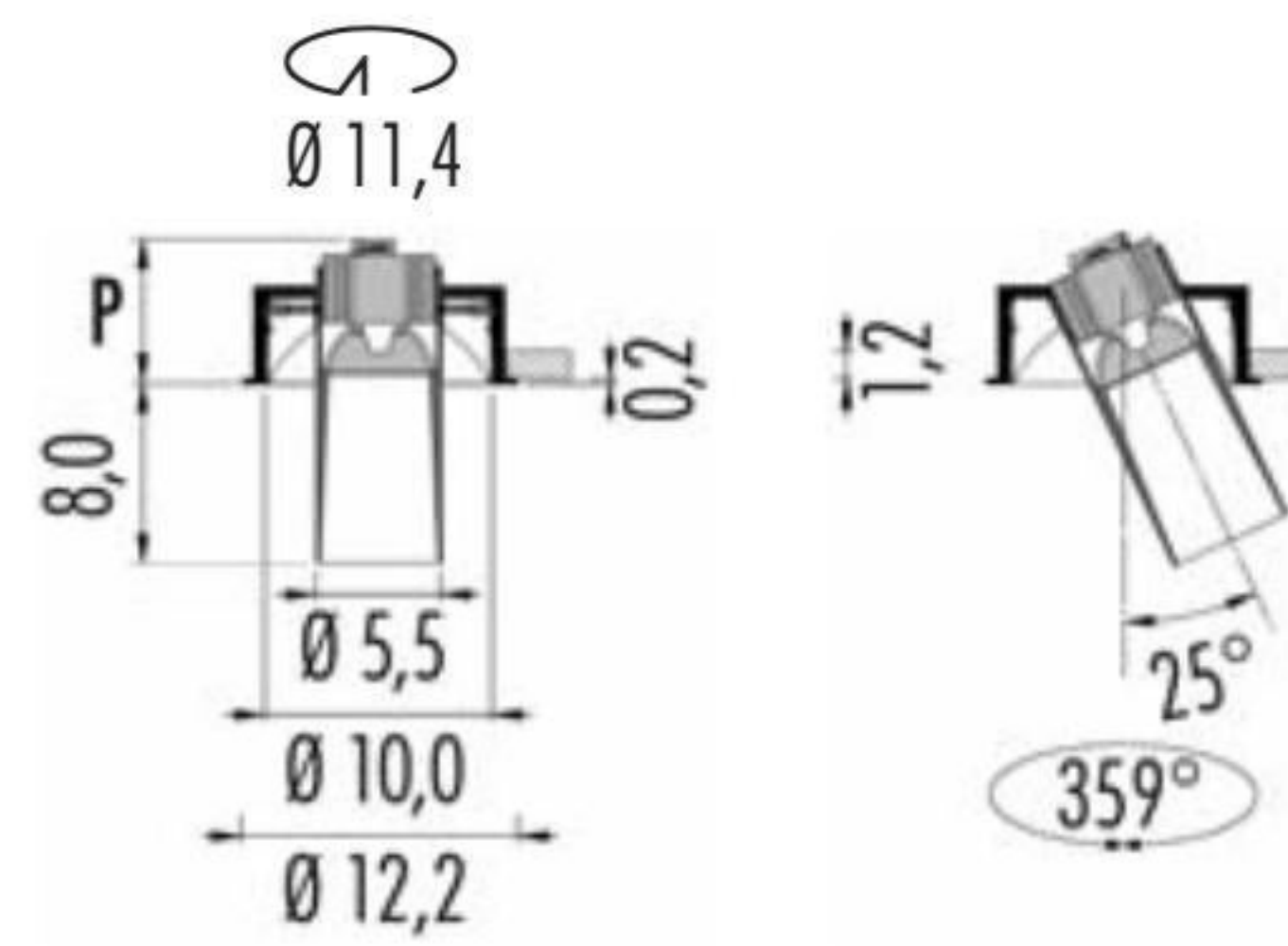
Led color	Nominal lm	Beam spread
W= max 3000K	max 445 lm	18°
min. 1800K	min. 10 lm	

© (m-M) Driver

3KIT.352.W15 (1-1) DALI

3KIT.354.W10 (1-1) IGBT - TRIAC

easy Pop Y3 NaNo Ø 10,0 with trim
For plasterboard and brickwork. Per cartongesso e laterizio



- Frame - Struttura
02 ● Black - Nero
06 ○ White - Bianco

	easy Pop NY3 NaNo	P
3FY3.3 ■ S. □	led IP40	5,5
4FY3.3 ■ S. □	led IP40 + honeycomb	6,0

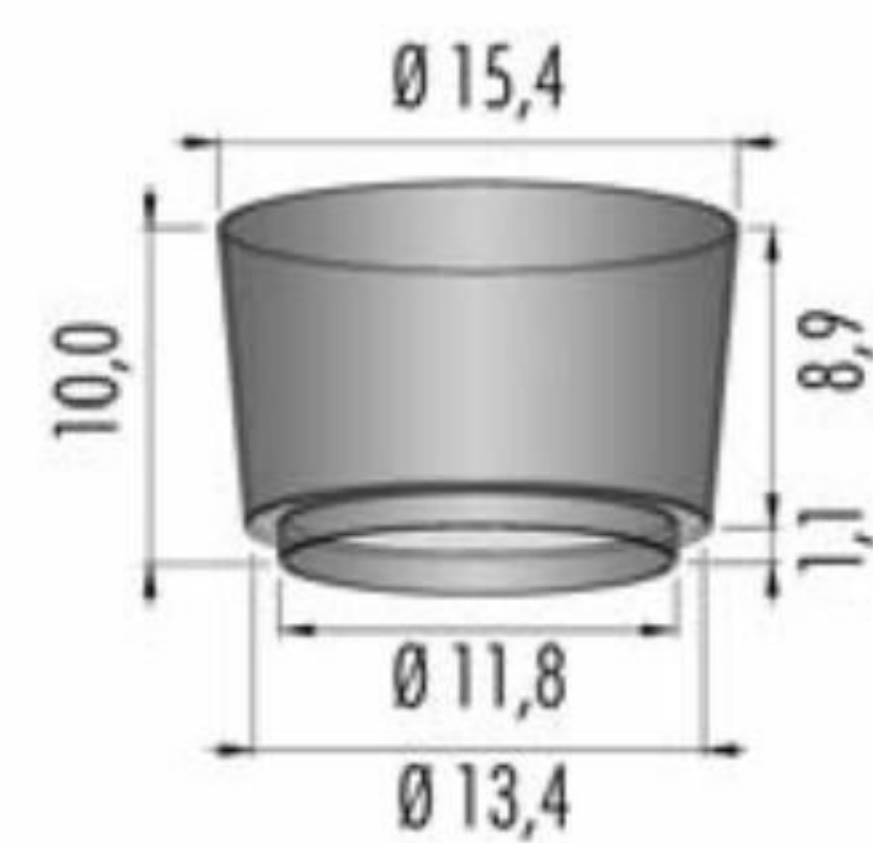
IP40	MC-E=3	CE
250m/A	LED 8W	CRI>95
3FY3.3 ■ S. □		
4FY3.3 ■ S. □		
With honeycomb. Con frangiluce		

Led color	Nominal lm	Beam spread
2 = 2700K	779	20°
3 = 3000K	879	
4 = 4000K	855	

© (m-M)	Driver
3KIT.250.1L (1-1)	on/off
3KIT.251.28 (1-3)	DALI - Push - 1...10V remote installation - in remoto
3KIT.252.12 (1-1)	DALI
3KIT.253.13 (1-1)	Push - 1...10V
3KIT.254.12 (1-1)	IGBT - TRIAC

Emergency unit: (inverter + battery. Driver not included)

3KIT.900.01 (1-1)	1:00 hour
3KIT.900.03 (1-1)	3:00 hours

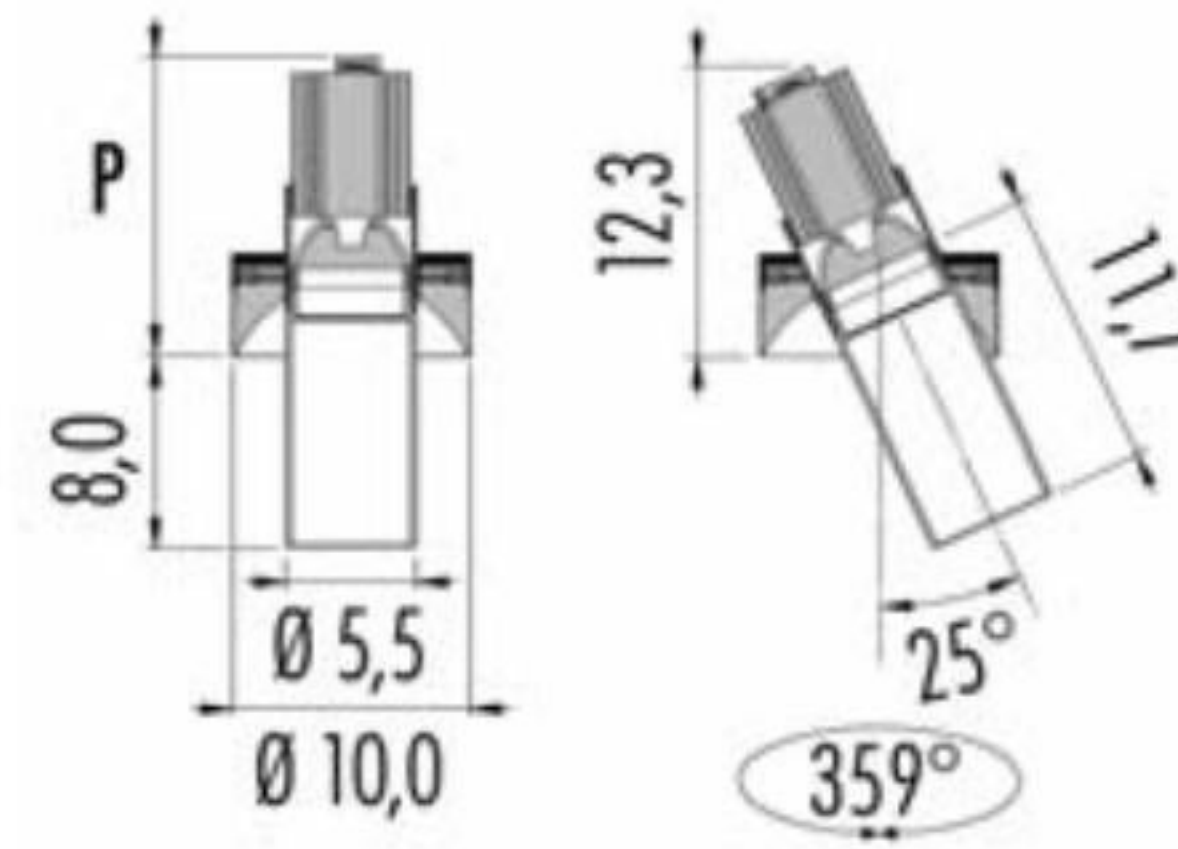


Housing for brickwork - Cassaforma laterizio
1E00.100.01

Pop Y3 Ø 10,0 Glass trimless



Pop Y3 \varnothing 10,0 **Glass** trimless
For plasterboard. Per cartongesso



<input type="checkbox"/>	Frame - Struttura	<input type="checkbox"/>	Glass - Vetro
02F	Black - Nero	<input checked="" type="checkbox"/>	Fumé
06T	White - Bianco	<input type="checkbox"/>	Transparent

	Pop PY3 Glass	P
3PY3.K	led 9,5W IP40	13,0
4PY3.K	led 9,5W IP40+honeycomb	13,5
3PY3.3	led IP40	12,1
4PY3.3	led IP40 + honeycomb	12,6
3PY3.3W	led IP40	9,2
4PY3.3W	led IP40 + honeycomb	9,7

Housing for plasterboard - Cassaforma cartongesso \varnothing 11,4cm

- **1Z00.100.01**

IP40	Flicker < 20%	CE ∇ \square
220V \div 240V	LED 9,5W	CRI>90
3PY3.K	dim IGBT - TRIAC	
4PY3.K	dim IGBT - TRIAC	
<i>With honeycomb. Con frangiluce</i>		

■ Led color	Nominal lm	▲ Beam spread
2 = 2700K	710	M = 36°
3 = 3000K	760	S = 24°

IP40	MC-E=3	CE ∇ \square
350m/A	LED 11W	CRI>95
3PY3.3		
4PY3.3		
<i>With honeycomb. Con frangiluce</i>		

■ Led color	Nominal lm	▲ Beam spread
2 = 2700K	1195	M = 38°
3 = 3000K	1257	S = 22°
4 = 4000K	1313	T = 10°

© (m-M) Driver

3KIT.350.1L (1-1)	on/off
3KIT.351.40 (1-3)	DALI - Push - 1...10V <i>remote installation - in remoto</i>

3KIT.352.15 (1-1)	DALI
3KIT.353.15 (1-1)	Push - 1...10V
3KIT.354.18 (1-1)	IGBT - TRIAC

Emergency unit: (inverter + battery. Driver not included)

3KIT.900.01 (1-1)	1:00 hour
3KIT.900.03 (1-1)	3:00 hours

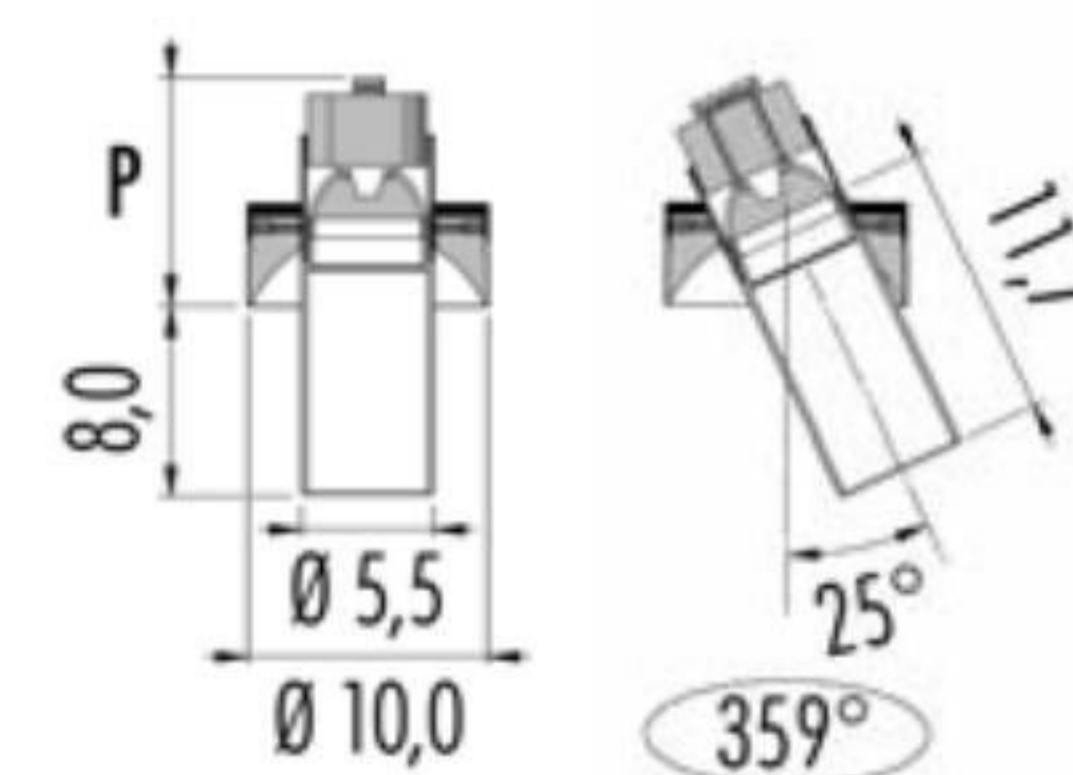
IP40	DimToWarm	CE ∇ \square
350m/A	LED 6W	CRI 95
3PY3.3W		
4PY3.3W		
<i>With honeycomb. Con frangiluce</i>		

■ Led color	Nominal lm	▲ Beam spread
W= max 3000K min. 1800K	max 445 lm min. 10 lm	M = 30° S = 18°

© (m-M) Driver

3KIT.352.W15 (1-1)	DALI
3KIT.354.W10 (1-1)	IGBT - TRIAC

Pop Y3 NaNo Glass Ø 10,0 trimless
For plasterboard. Per cartongesso



□	Frame - Struttura		Glass - Vetro
02F	Black - Nero	●	Fumé
06T	White - Bianco	○	Transparent

	Pop NY3 NaNo Glass	P
3NY3.3	led IP40	9,2
4NY3.3	led IP40 + honeycomb	9,7

IP40	MC-E=3	CE
250m/A	LED 8W	CRI>95

3NY3.3

4NY3.3

With honeycomb. Con frangiluce

■ Led color	Nominal lm	▲ Beam spread
2 = 2700K	779	M = 38°
3 = 3000K	879	S = 22°
4 = 4000K	855	T = 10°

© (m-M) Driver

3KIT.250.1L (1-1) on/off

3KIT.251.28 (1-3) DALI - Push - 1...10V
remote installation - in remoto

3KIT.252.12 (1-1) DALI

3KIT.253.13 (1-1) Push - 1...10V

3KIT.254.12 (1-1) IGBT - TRIAC

Emergency unit: (inverter + battery. Driver not included)

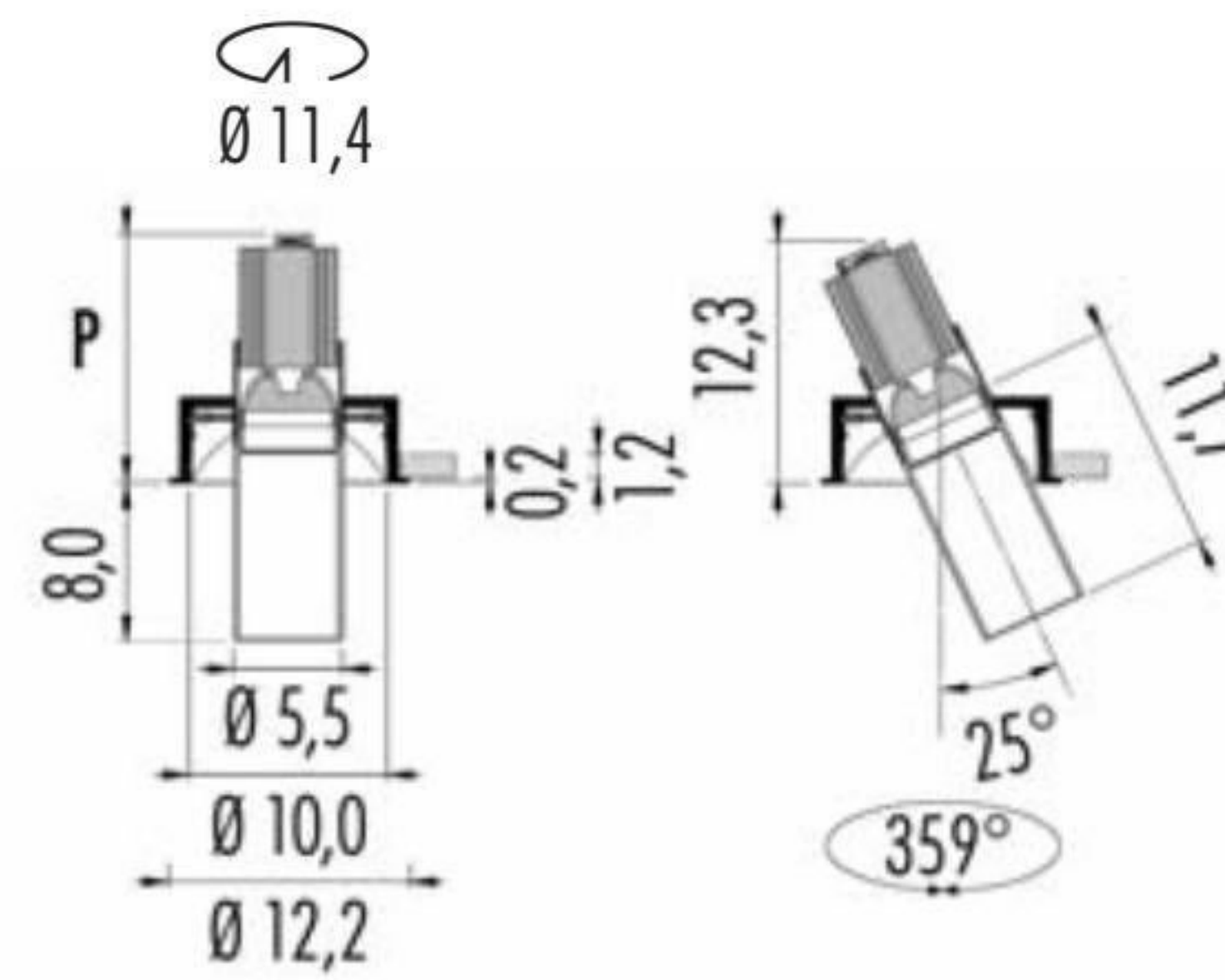
3KIT.900.01 (1-1) 1:00 hour

3KIT.900.03 (1-1) 3:00 hours

Housing for plasterboard - Cassaforma cartongesso Ø 11,4cm

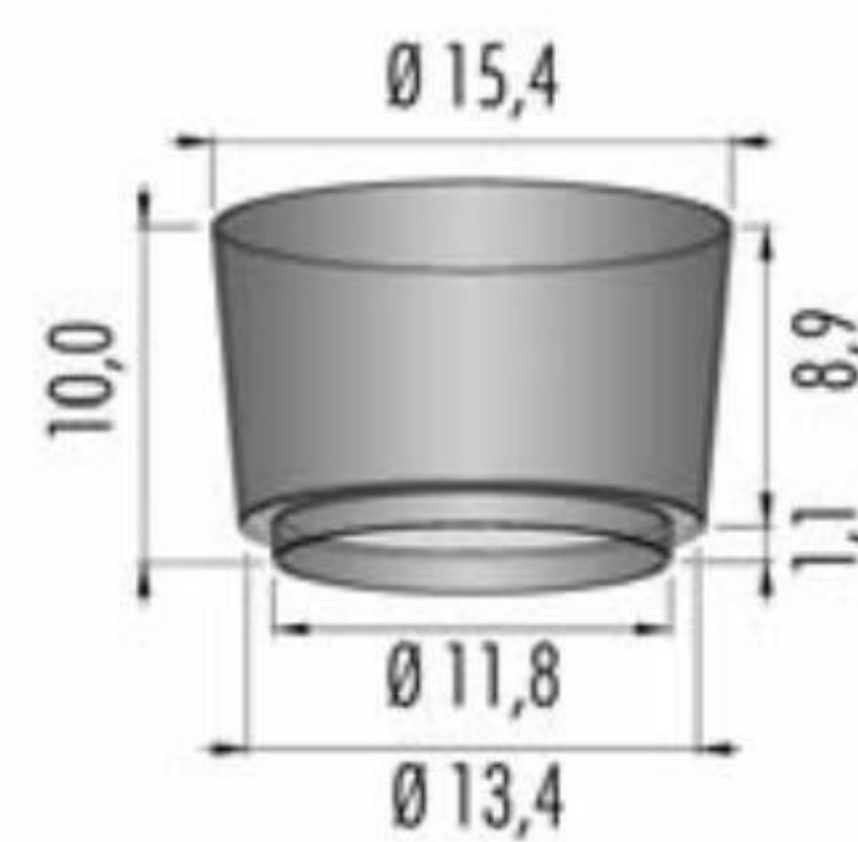
- 1Z00.100.01

easy Pop Y3 Ø 10,0 Glass with trim
For plasterboard and brickwork. Per cartongesso e laterizio



□	Frame - Struttura	□	Glass - Vetro
02F	Black - Nero	●	Fumé
06T	White - Bianco	○	Transparent

	easy Pop PY3 Glass	P
3PY3.K	led 9,5W IP40	13,0
4PY3.K	led 9,5W IP40 + honeycomb	13,5
3EY3.3	led IP40	12,1
4EY3.3	led IP40 + honeycomb	12,6
3EY3.3W	led IP40	9,2
4EY3.3W	led IP40 + honeycomb	9,7



Housing for brickwork - Cassaforma laterizio
1E00.100.01

IP40	Flicker < 20%	CE
220V ÷ 240V	LED 9,5W	CRI > 90
3EY3.K	dimm IGBT - TRIAC	
4EY3.K	dimm IGBT - TRIAC	
With honeycomb. Con frangiluce		

■ Led color	Nominal lm	▲ Beam spread
2 = 2700K	710	M = 36°
3 = 3000K	760	S = 24°

IP40	MC-E=3	CE
350m/A	LED 11W	CRI > 95
3EY3.3		
4EY3.3		
With honeycomb. Con frangiluce		

■ Led color	Nominal lm	▲ Beam spread
2 = 2700K	1195	M = 38°
3 = 3000K	1257	S = 22°
4 = 4000K	1313	T = 10°

© (m-M)	Driver
3KIT.350.1L (1-1)	on/off
3KIT.351.40 (1-3)	DALI - Push - 1...10V remote installation - in remoto
3KIT.352.15 (1-1)	DALI
3KIT.353.15 (1-1)	Push - 1...10V
3KIT.354.18 (1-1)	IGBT - TRIAC

Emergency unit: (inverter + battery. Driver not included)

3KIT.900.01 (1-1)	1:00 hour
3KIT.900.03 (1-1)	3:00 hours

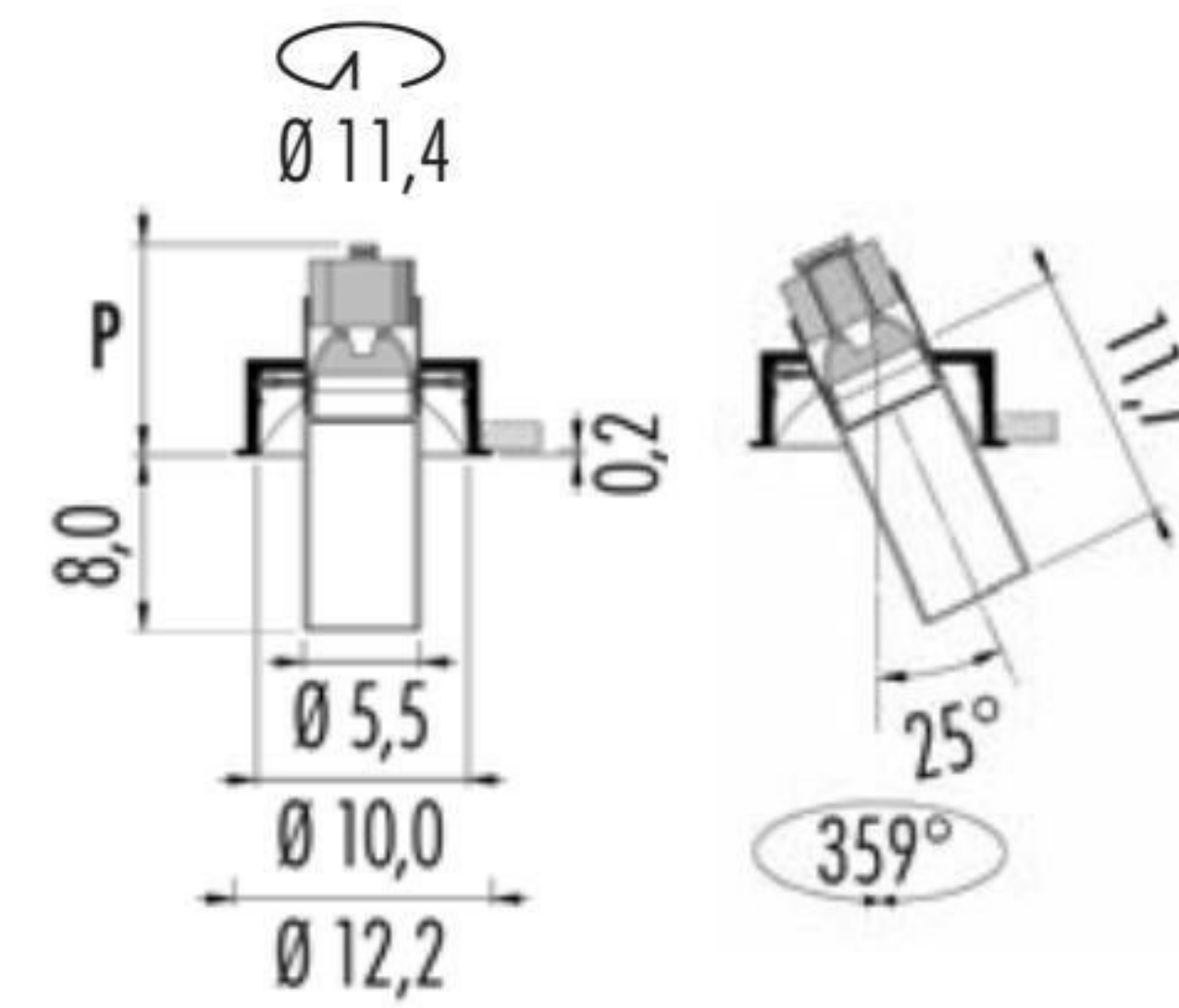
IP40	DimToWarm	CE
350m/A	LED 6W	CRI 95
3EY3.3W		
4EY3.3W		
With honeycomb. Con frangiluce		

■ Led color	Nominal lm	▲ Beam spread
W= max 3000K min. 1800K	max 445 lm min. 10 lm	M = 30° S = 18°

© (m-M)	Driver
3KIT.352.W15 (1-1)	DALI
3KIT.354.W10 (1-1)	IGBT - TRIAC

(m-M) = min. Led unit - Max Led unit. Led and Emergency unit, warranty only when used together with driver bought from Oty srl.

easy Pop Y3 NaNo Glass Ø 10,0 with trim
For plasterboard and brickwork. Per cartongesso e laterizio



□	Frame - Struttura	□	Glass - Vetro
02F	Black - Nero	●	Fumé
06T	White - Bianco	○	Transparent

IP40 MC-E=3
250m/A **LED 8W** CRI>95

3FY3.3 □

4FY3.3 □

With honeycomb. Con frangiluce

■ Led color	Nominal lm	▲ Beam spread
2 = 2700K	779	M = 38°
3 = 3000K	879	S = 22°
4 = 4000K	855	T = 10°

© (m-M) Driver

3KIT.250.1L (1-1) on/off

3KIT.251.28 (1-3) DALI - Push - 1...10V
remote installation - in remoto

3KIT.252.12 (1-1) DALI

3KIT.253.13 (1-1) Push - 1...10V

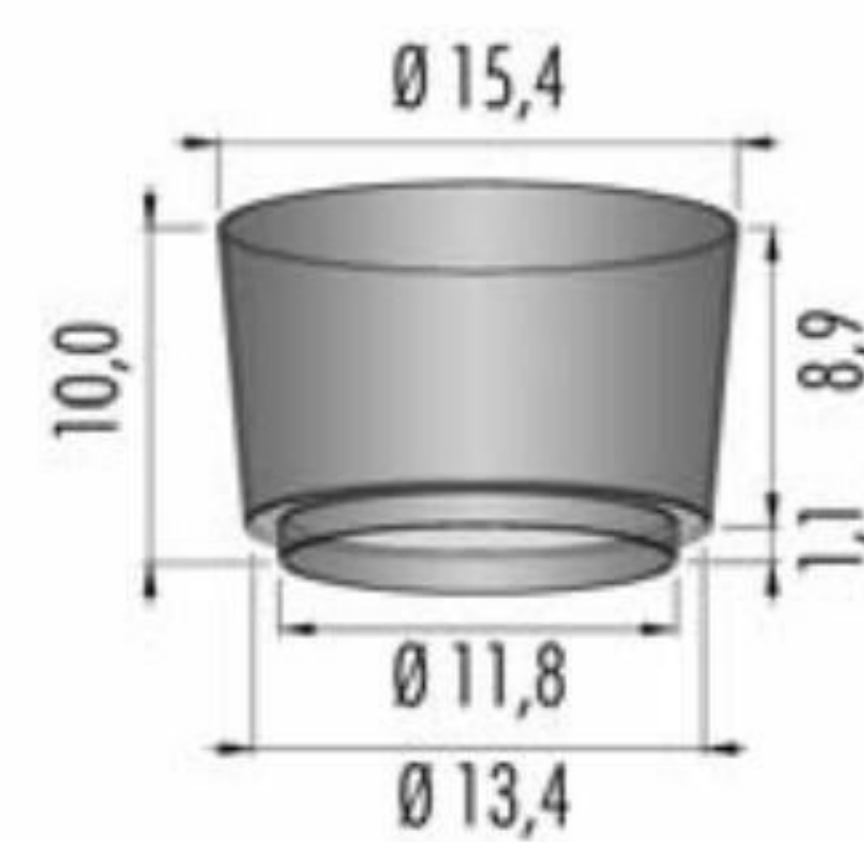
3KIT.254.12 (1-1) IGBT - TRIAC

Emergency unit: (inverter + battery. Driver not included)

3KIT.900.01 (1-1) 1:00 hour

3KIT.900.03 (1-1) 3:00 hours

easy Pop NY3 NaNo Glass		P
3FY3.3 □	led IP40	9,2
4FY3.3 □	led IP40 + honeycomb	9,7



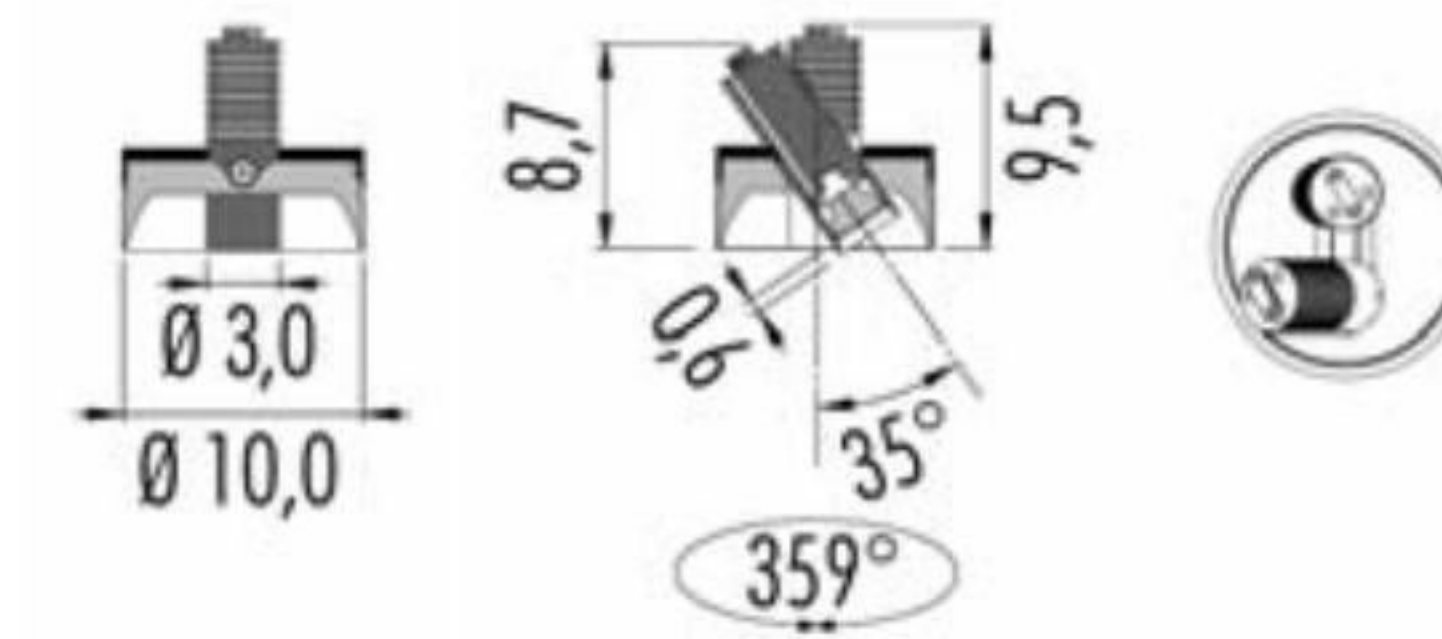
Housing for brickwork - Cassaforma laterizio

1E00.100.01

Pop Z3 Ø 10,0 trimless



Pop Z3 $\varnothing 10,0$ trimless
For plasterboard. Per cartongesso



IP40	MC-E=3	CE
500m/A	LED 2x6W	CRI>90
3PZ3.2 M. □		
■ Led color	Nominal lm	▲ Beam spread
2 = 2700K	2x528	25°
3 = 3000K	2x552	

© (to order) Driver

3KIT.500.15 (n° 2) on/off

3KIT.501.50 (n° 1) DALI - Push - 1...10V

3KIT.502.20 (n° 1) DALI

3KIT.503.20 (n° 1) Push - 1...10

3KIT.504.10 (n° 2) IGBT - TRIAC

Emergency unit: (inverter + battery. Driver not included)

3KIT.900.01 (1-1) 1:00 hour

3KIT.900.03 (1-1) 3:00 hours

□ Frame - Struttura

02 ● Black - Nero

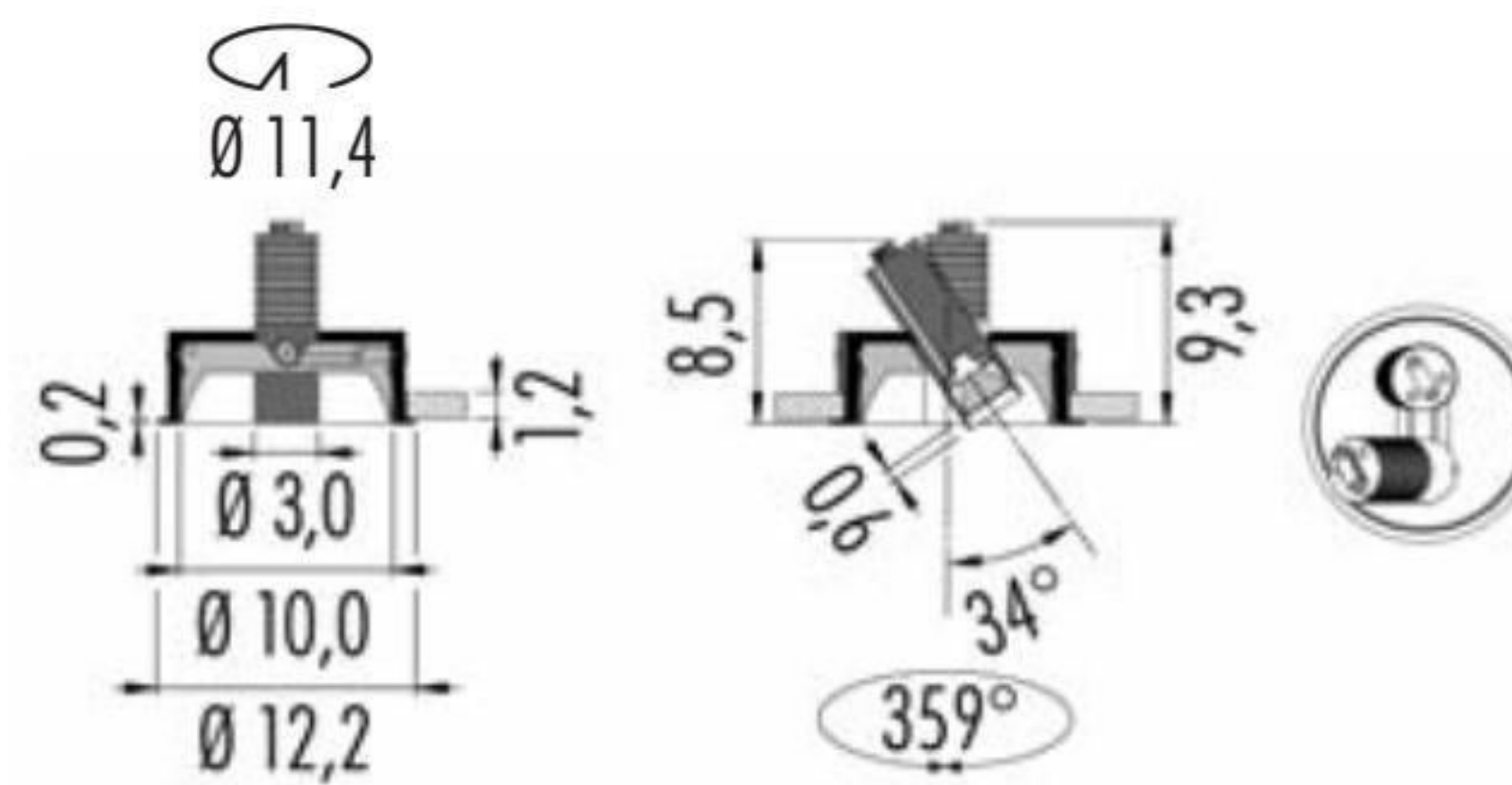
06 ○ White - Bianco

Housing for plasterboard - Cassaforma cartongesso $\varnothing 11,4$ cm

● **1Z00.100.01**

easy Pop Z3 Ø 10,0 with trim

For plasterboard and brickwork. Per cartongesso e laterizio



IP40	MC-E=3	CE
500m/A	LED 2x6W	CRI>90
3EZ3.2 ■ M. □		
■ Led color	Nominal lm	▲ Beam spread
2 = 2700K	2x528	25°
3 = 3000K	2x552	

© (to order) Driver

3KIT.500.15 (n° 2) on/off

3KIT.501.50 (n° 1) DALI - Push - 1...10V

3KIT.502.20 (n° 1) DALI

3KIT.503.20 (n° 1) Push - 1...10

3KIT.504.10 (n° 2) IGBT - TRIAC

Emergency unit: (inverter + battery. Driver not included)

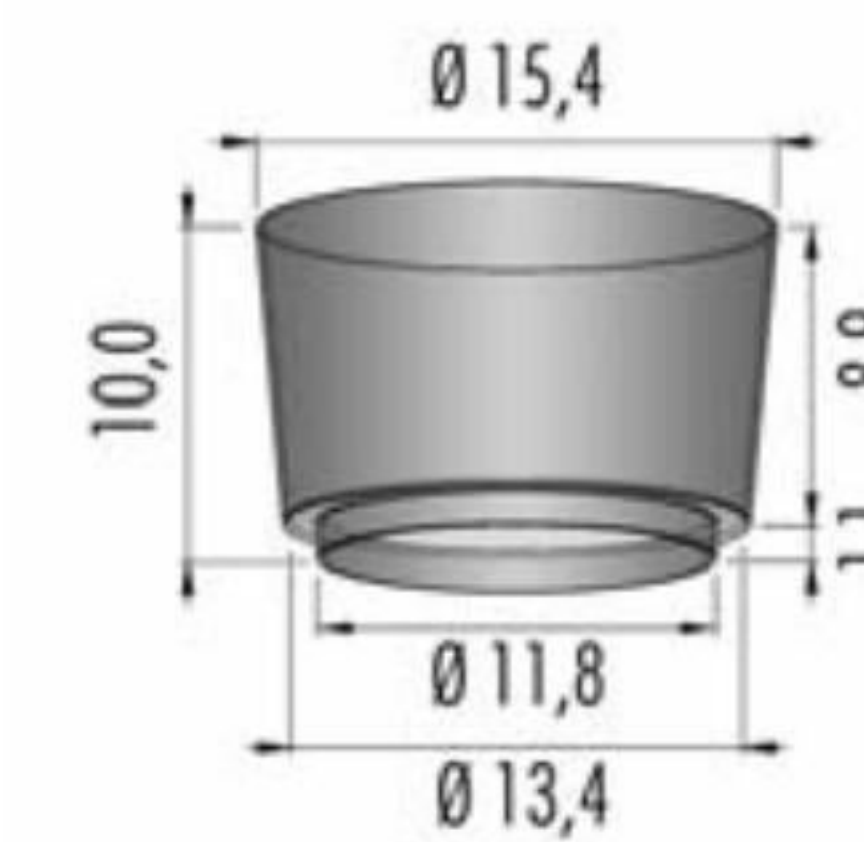
3KIT.900.01 (1-1) 1:00 hour

3KIT.900.03 (1-1) 3:00 hours

□ Frame - Struttura

02 ● Black - Nero

06 ○ White - Bianco



Housing for brickwork - Cassaforma laterizio

1E00.100.01

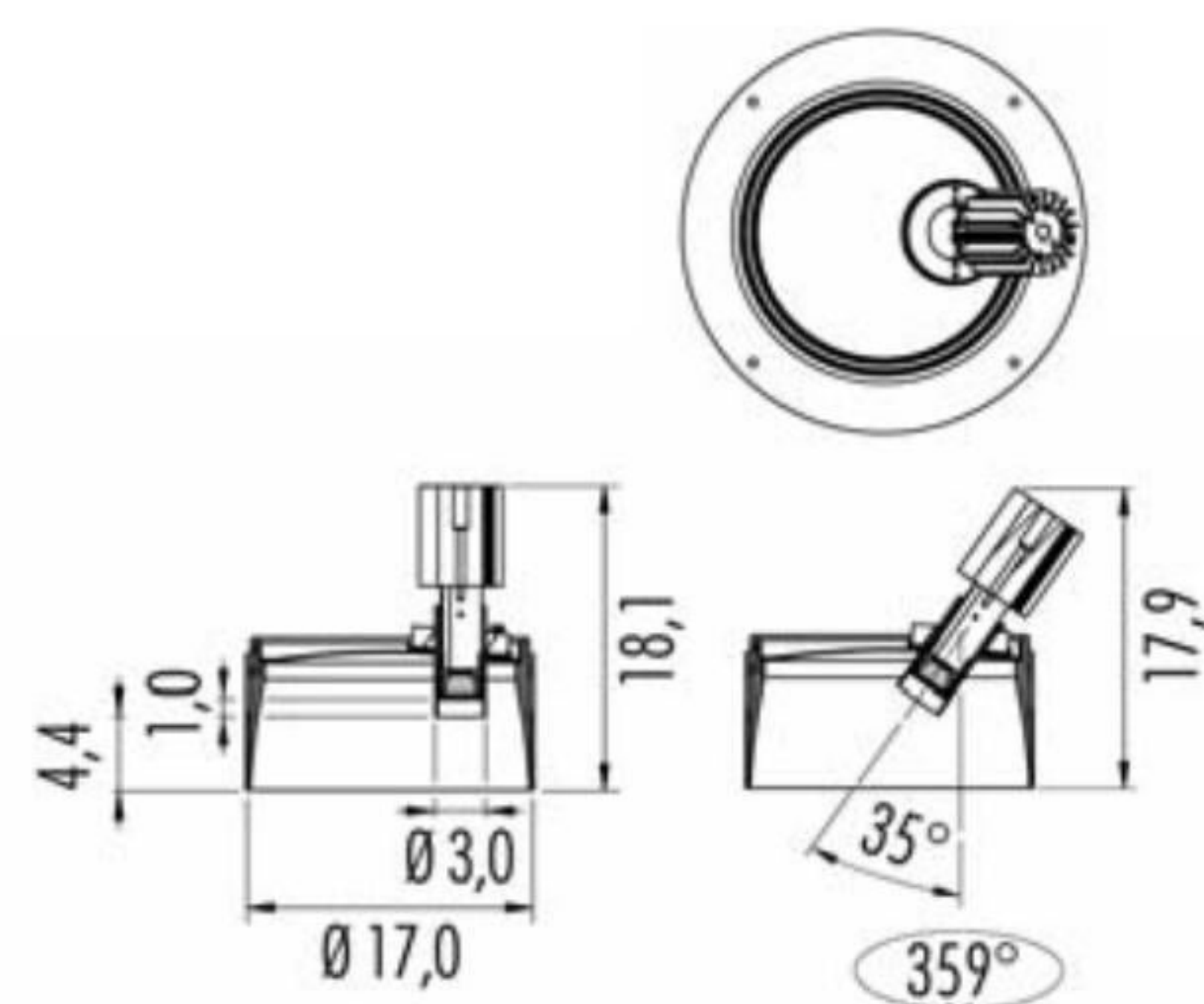
Pop 03 Look Ø 17,0 trimless



Pop 03 Look Ø 17,0 trimless
For plasterboard. Per cartongesso



- *Frame - Struttura*
-
- 02 ● Black - Nero
- 06 ○ White - Bianco



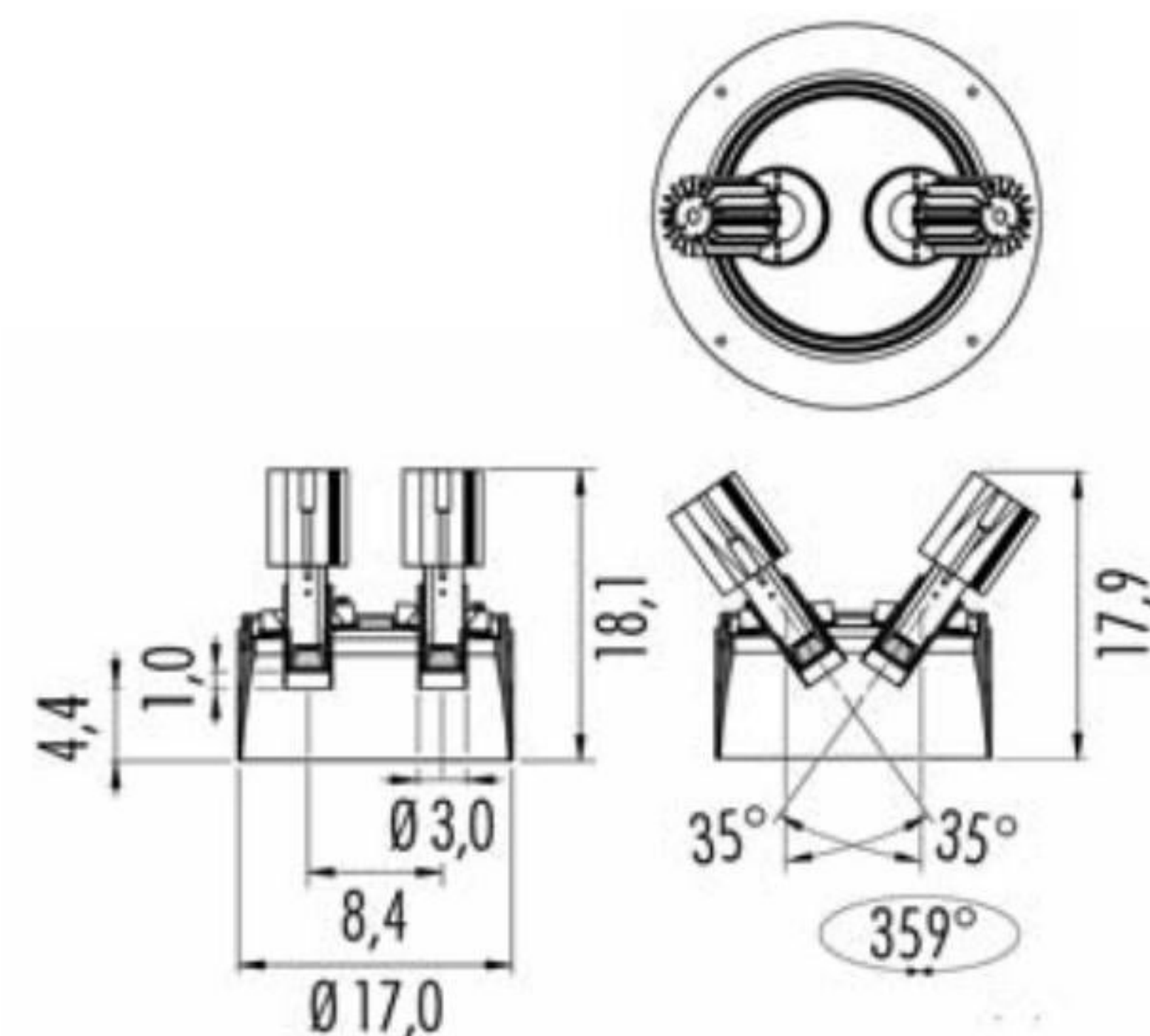
Look x1

IP40	MC-E=3	CE	▽	◇
350m/A	LED 1x13,4W	CRI>95		
3PL31.2	M.□			
4PL31.2	M.□			
With honeycomb. Con frangiluce				

■ Led color	Nominal lm	▲ Beam spread
2 = 2700K	1650	30°
3 = 3000K	1727	
4 = 4000K	1786	

© (to order) Driver

- 3KIT.350.1L (n° 1) on/off
- 3KIT.352.15 (n° 1) DALI
- 3KIT.353.15 (n° 1) Push - 1...10V
- 3KIT.354.18 (n° 1) IGBT - TRIAC



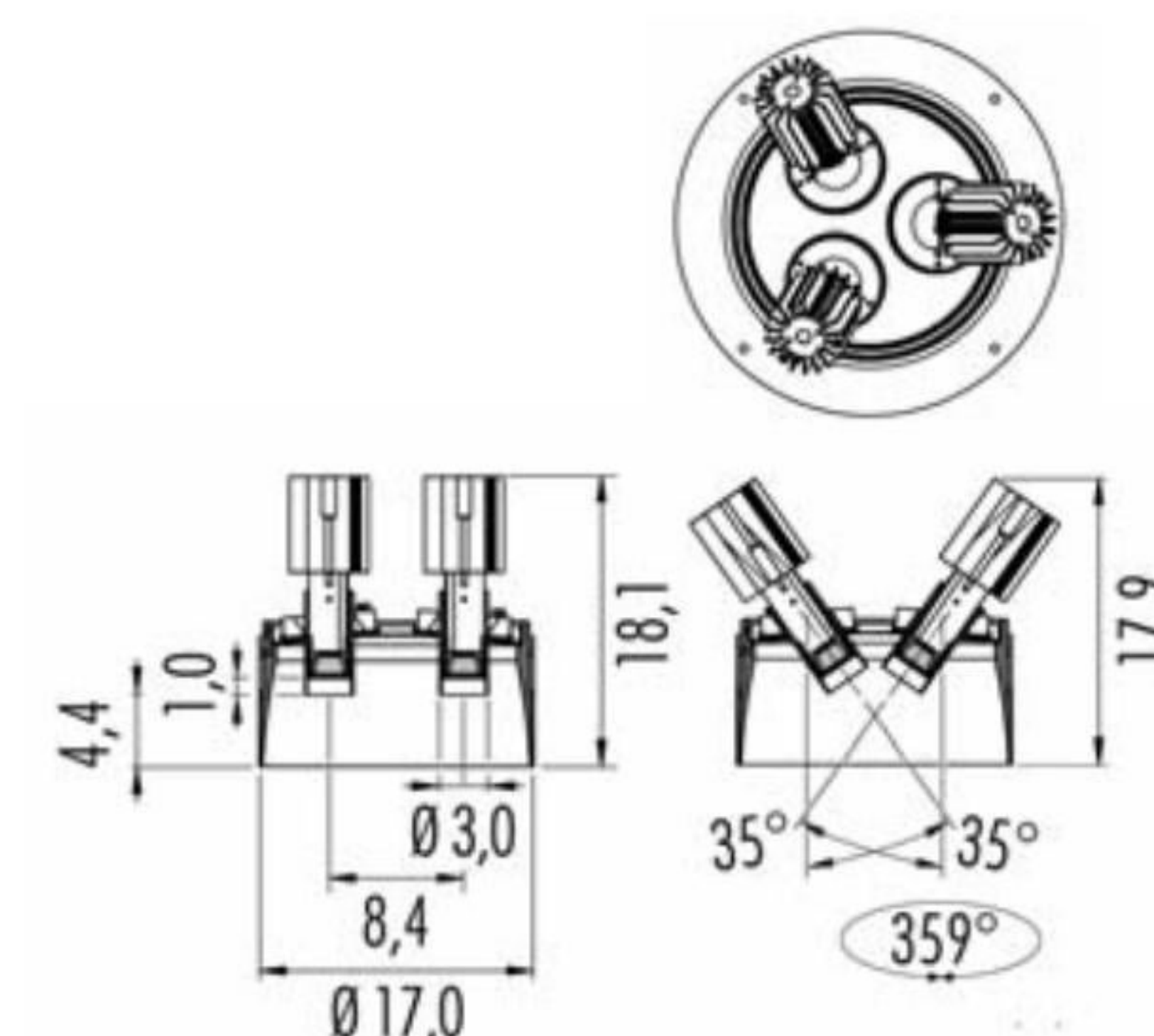
Look x2

IP40	MC-E=3	CE	▽	◇
350m/A	LED 2x13,4W	CRI>95		
3PL32.2	M.□			
4PL32.2	M.□			
With honeycomb. Con frangiluce				

■ Led color	Nominal lm	▲ Beam spread
2 = 2700K	2x1650	30°
3 = 3000K	2x1727	
4 = 4000K	2x1786	

© (to order) Driver

- 3KIT.350.1L (n° 2) on/off
- 3KIT.351.40 (n° 1) DALI - Push - 1...10V
- 3KIT.354.18 (n° 2) IGBT - Triac



Look x3

IP40	MC-E=3	CE	▽	◇
350m/A	LED 3x13,4W	CRI>95		
3PL33.2	M.□			
4PL33.2	M.□			
With honeycomb. Con frangiluce				

■ Led color	Nominal lm	▲ Beam spread
2 = 2700K	3x1650	30°
3 = 3000K	3x1727	
4 = 4000K	3x1786	

© (to order) Driver

- 3KIT.350.1L (n° 3) on/off
- 3KIT.352.15 (n° 3) DALI
- 3KIT.353.15 (n° 3) Push - 1...10V
- 3KIT.354.18 (n° 3) IGBT - Triac

Housing for plasterboard - Cassaforma cartongesso Ø 19,0 cm

- 1K00.170.01

(m-M) = min. Led unit - Max Led unit. Led and Emergency unit, warranty only when used together with driver bought from Oty srl.

(m-M) = gestione minima e massima delle unità Led. I Led e le unità di emergenza, sono coperti da garanzia solo se utilizzati in abbinamento con i driver forniti dalla Oty srl.

Pop 04 Ø 8,0 trimless



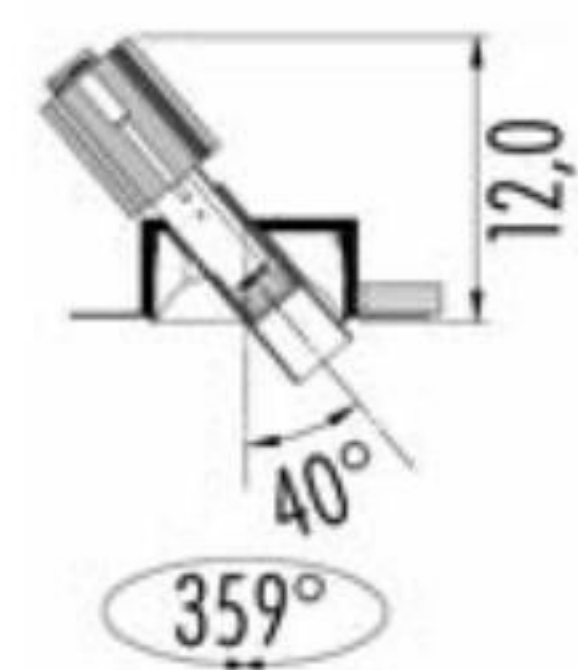
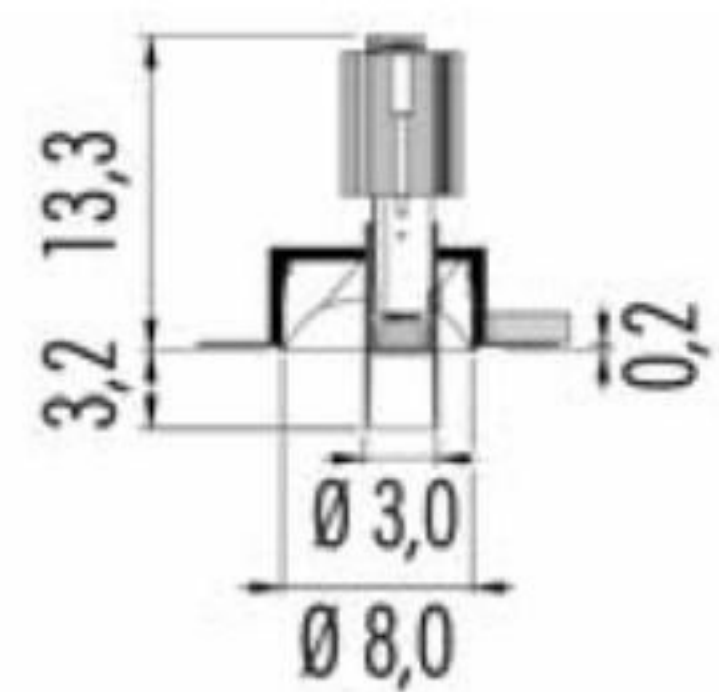
Sea,
Sand,
The Sea
&
Me

Pop 04 Ø 8,0 trimless
For plasterboard. Per cartongesso



- *Frame - Struttura*
- 02 ● Black - Nero
- 06 ○ White - Bianco

(m-M) = min. Led unit - Max Led unit. Led and Emergency unit, warranty only when used together with driver bought from Oty srl.



IP40



350lm/A

LED 13,4W

CRI>95

3P04.2 ■ S. □

4P04.2 ■ S. □

With honeycomb. Con frangiluce

■ Led color

Nominal lm

▲ Beam spread

2 = 2700K

1650

25°

3 = 3000K

1727

4 = 4000K

1786

© (m-M) Driver

3KIT.350.1L (1-1) on/off

3KIT.351.40 (1-2) DALI - Push - 1...10V
remote installation - in remoto

3KIT.352.15 (1-1) DALI

3KIT.353.15 (1-1) Push - 1...10V

3KIT.354.18 (1-1) IGBT - TRIAC

Emergency unit: (inverter + battery. Driver not included)

3KIT.900.01 (1-1) 1:00 hour

3KIT.900.03 (1-1) 3:00 hours

Housing for plasterboard - Cassaforma cartongesso Ø 9,5cm

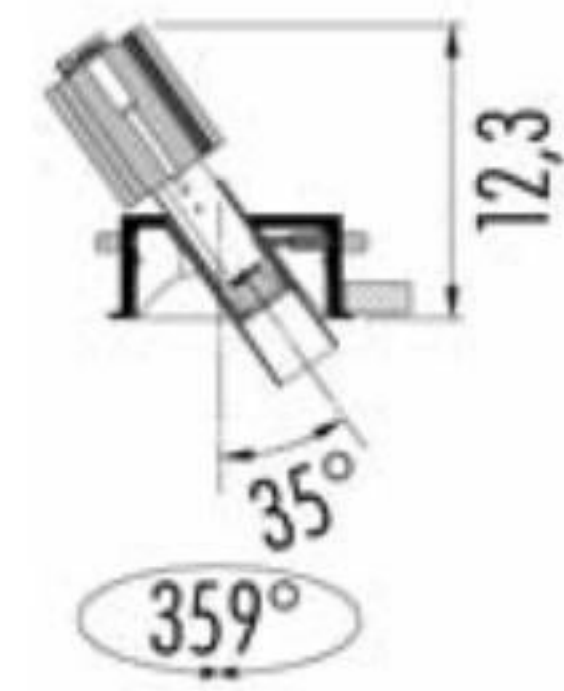
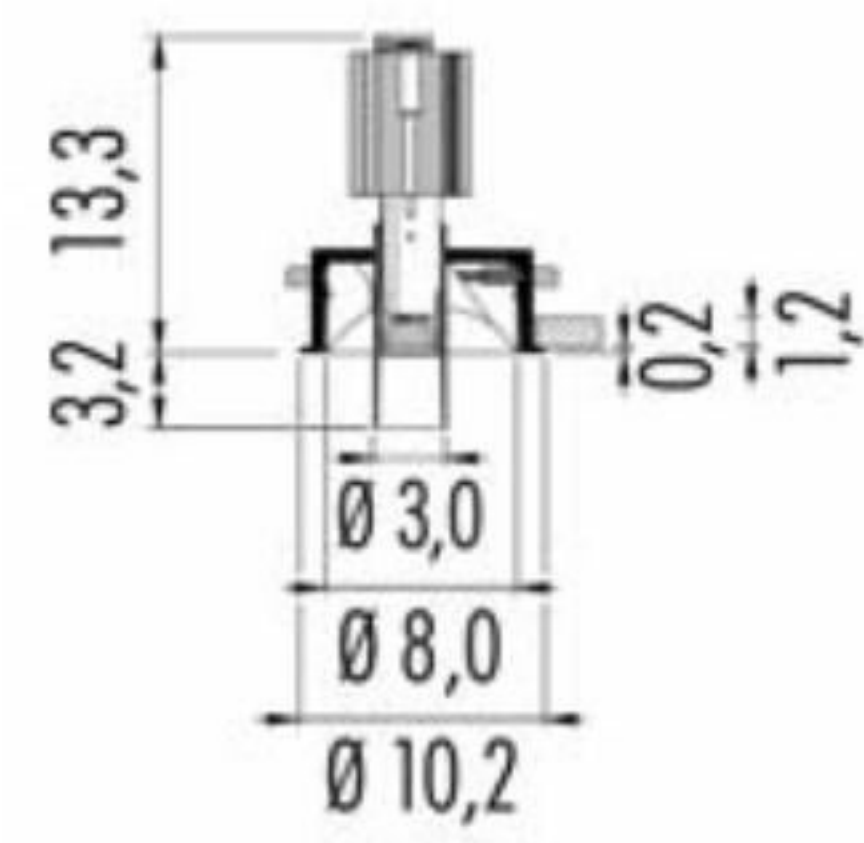
- 1Z00.080.01 Single
- 1Z00.080.2L Double
- 1Z00.080.3L Triple

easy Pop 04 Ø 8,0 with trim
For plasterboard and brickwork. Per cartongesso e laterizio



- *Frame - Struttura*
- 02 ● Black - Nero
- 06 ○ White - Bianco

(m-M) = min. Led unit - Max Led unit. Led and Emergency unit, warranty only when used together with driver bought from Oty srl.



IP40    
 350m/A **LED 13,4W** CRI>95
3E04.2 ■ S. □
4E04.2 ■ S. □
With honeycomb. Con frangiluce

■ Led color	Nominal lm	▲ Beam spread
2 = 2700K	1650	25°
3 = 3000K	1727	
4 = 4000K	1786	

© (m-M) Driver

3KIT.350.1L (1-1) on/off

3KIT.351.40 (1-2) DALI - Push - 1...10V
remote installation - in remoto

3KIT.352.15 (1-1) DALI

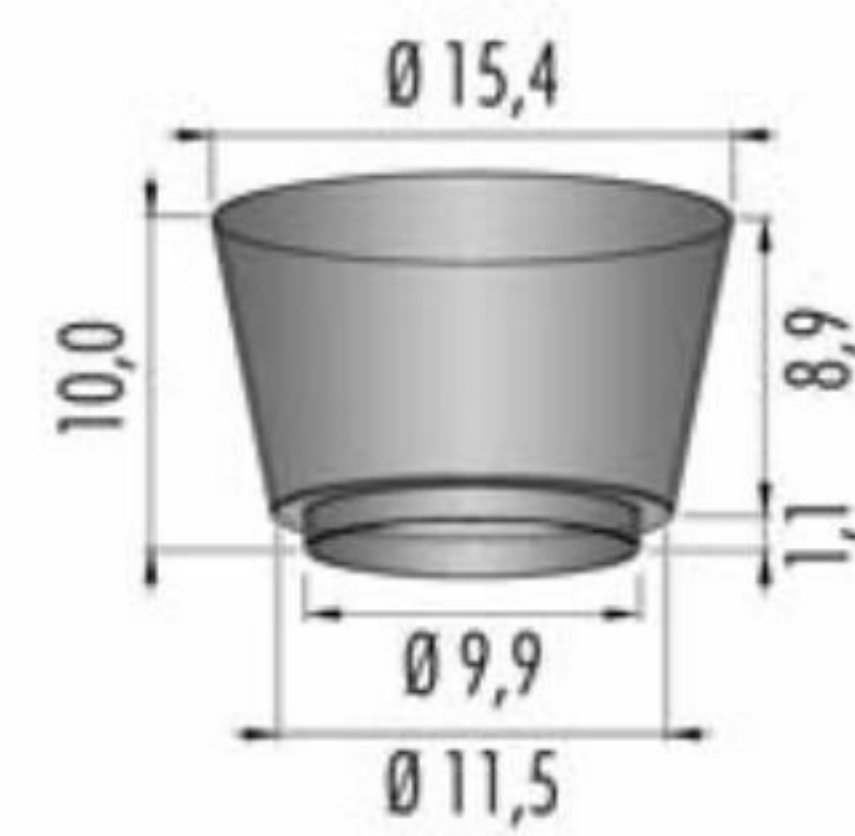
3KIT.353.15 (1-1) Push - 1...10V

3KIT.354.18 (1-1) IGBT - TRIAC

Emergency unit: (inverter + battery. Driver not included)

3KIT.900.01 (1-1) 1:00 hour

3KIT.900.03 (1-1) 3:00 hours



Housing for brickwork - Cassaforma laterizio

1E00.080.01

Pop 04 Ø 12,0 trimless



Pop 04 Ø 12,0 trimless
 For plasterboard and brickwork. Per cartongesso e laterizio

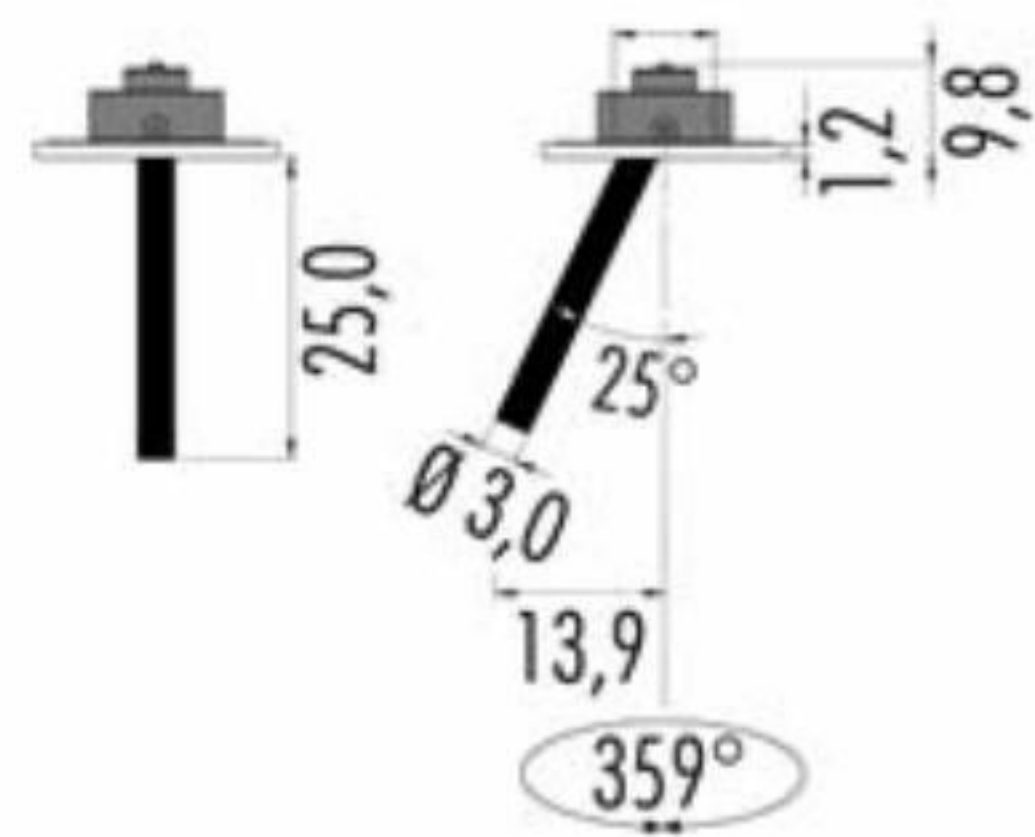


- *Frame - Struttura*
- 02 ● Black - Nero
- 06 ○ White - Bianco

<i>Pop P04</i>		P	P1
3P04.3	■ M. □ led IP40	6,8	2,5
3P04.3	■ S. □ led IP40	6,8	5,5
3P04.3	■ T. □ led IP40	6,8	2,5
4P04.3	■ M. □ led IP40 + frangiluce	6,8	2,5
4P04.3	■ S. □ led IP40 + frangiluce	7,4	5,5
4P04.3	■ T. □ led IP40 + frangiluce	6,8	2,5

(m-M) = min. Led unit - Max Led unit. Led and Emergency unit, warranty only when used together with driver bought from Oty srl.

Pop 04A Magic Ø 3,0 trimless
For plasterboard. Per cartongesso



IP40	CE	F	Ⓜ
350m/A	LED 13,4W	CRI>95	
3P04A.2	■ M. <input type="checkbox"/>		
4P04A.2	■ M. <input type="checkbox"/>		
<i>With honeycomb - Con frangiluce</i>			
■ <i>Led color</i>	<i>Nominal lm</i>	▲ <i>Beam spread</i>	
2 = 2700K	1650	35°	
3 = 3000K	1727		
4 = 4000K	1786		

© (m-M)	Driver
3KIT.350.1L (1-1)	on/off
3KIT.351.40 (1-2)	DALI - Push - 1...10V <i>remote installation - in remoto</i>
3KIT.352.15 (1-1)	DALI
3KIT.353.15 (1-1)	Push - 1...10V
3KIT.354.18 (1-1)	IGBT - TRIAC

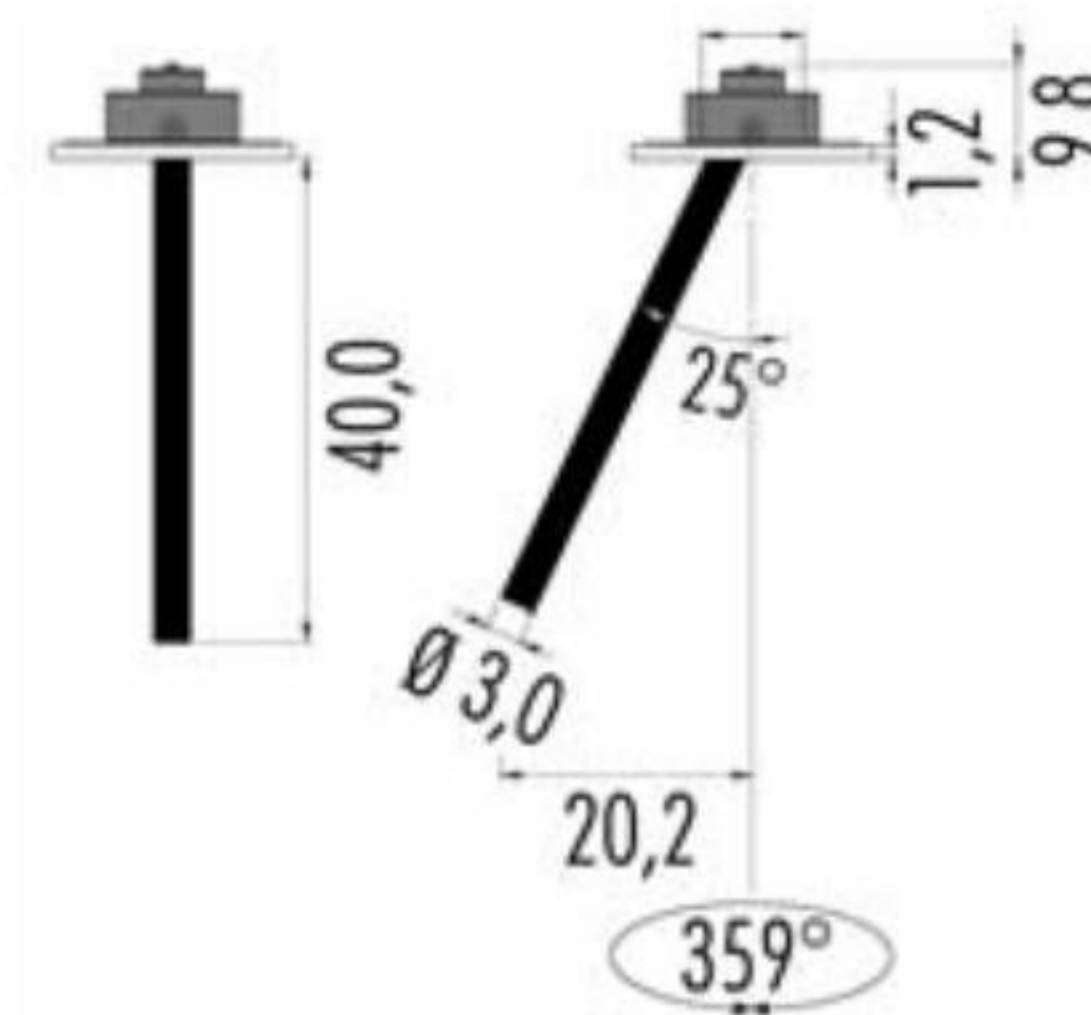
Emergency unit: (inverter + battery. Driver not included)

3KIT.900.01 (1-1)	1:00 hour
3KIT.900.03 (1-1)	3:00 hours

Housing for plasterboard - Cassaforma cartongesso Ø 8,5cm

- **1W00.085.01**
Housing for plasterboard with 1,2cm max thickness
Cassaforma per cartongesso con spessore max di 1,2cm

Pop 04B Magic Ø 3,0 trimless
For plasterboard. Per cartongesso



IP40	CE	F	Ⓜ
350m/A	LED 13,4W	CRI>95	
3P04B.2	■ M. <input type="checkbox"/>		
4P04B.2	■ M. <input type="checkbox"/>		
<i>With honeycomb - Con frangiluce</i>			
■ <i>Led color</i>	<i>Nominal lm</i>	▲ <i>Beam spread</i>	
2 = 2700K	1650	35°	
3 = 3000K	1727		
4 = 4000K	1786		

© (m-M)	Driver
3KIT.350.1L (1-1)	on/off
3KIT.351.40 (1-2)	DALI - Push - 1...10V <i>remote installation - in remoto</i>
3KIT.352.15 (1-1)	DALI
3KIT.353.15 (1-1)	Push - 1...10V
3KIT.354.18 (1-1)	IGBT - TRIAC

Emergency unit: (inverter + battery. Driver not included)

3KIT.900.01 (1-1)	1:00 hour
3KIT.900.03 (1-1)	3:00 hours

Frame - Struttura

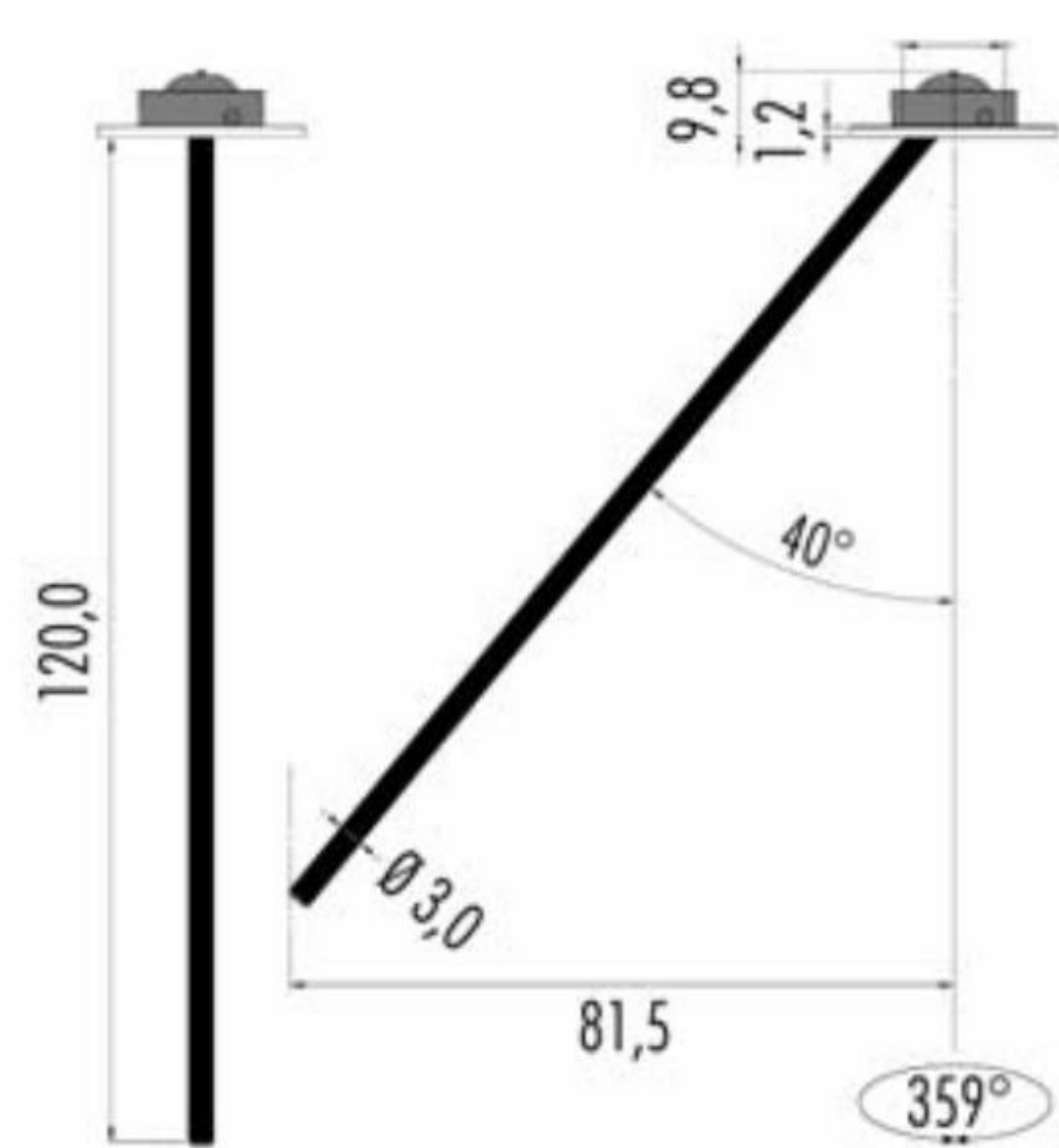
- 02 ● Black - Nero
- 06 ○ White - Bianco

(m-M) = min. Led unit - Max Led unit. Led and Emergency unit, warranty only when used together with driver bought from Oty srl.

(m-M) = gestione minima e massima delle unità Led. I Led e le unità di emergenza, sono coperti da garanzia solo se utilizzati in abbinamento con i driver forniti dalla Oty srl.



Pop 04C Magic Ø 3,0 trimless
For plasterboard. Per cartongesso



IP40	CE	F	Ⓢ
350m/A	LED 13,4W	CRI>95	
3P04C.2	M. □		
4P04C.2	M. □		
With honeycomb - Con frangiluce			
■ Led color	Nominal lm	▲ Beam spread	
2 = 2700K	1650	35°	
3 = 3000K	1727		
4 = 4000K	1786		
© (m-M)	Driver		
3KIT.350.1L (1-1)	on/off		
3KIT.351.40 (1-2)	DALI - Push - 1...10V remote installation - in remoto		
3KIT.352.15 (1-1)	DALI		
3KIT.353.15 (1-1)	Push - 1...10V		
3KIT.354.18 (1-1)	IGBT - TRIAC		

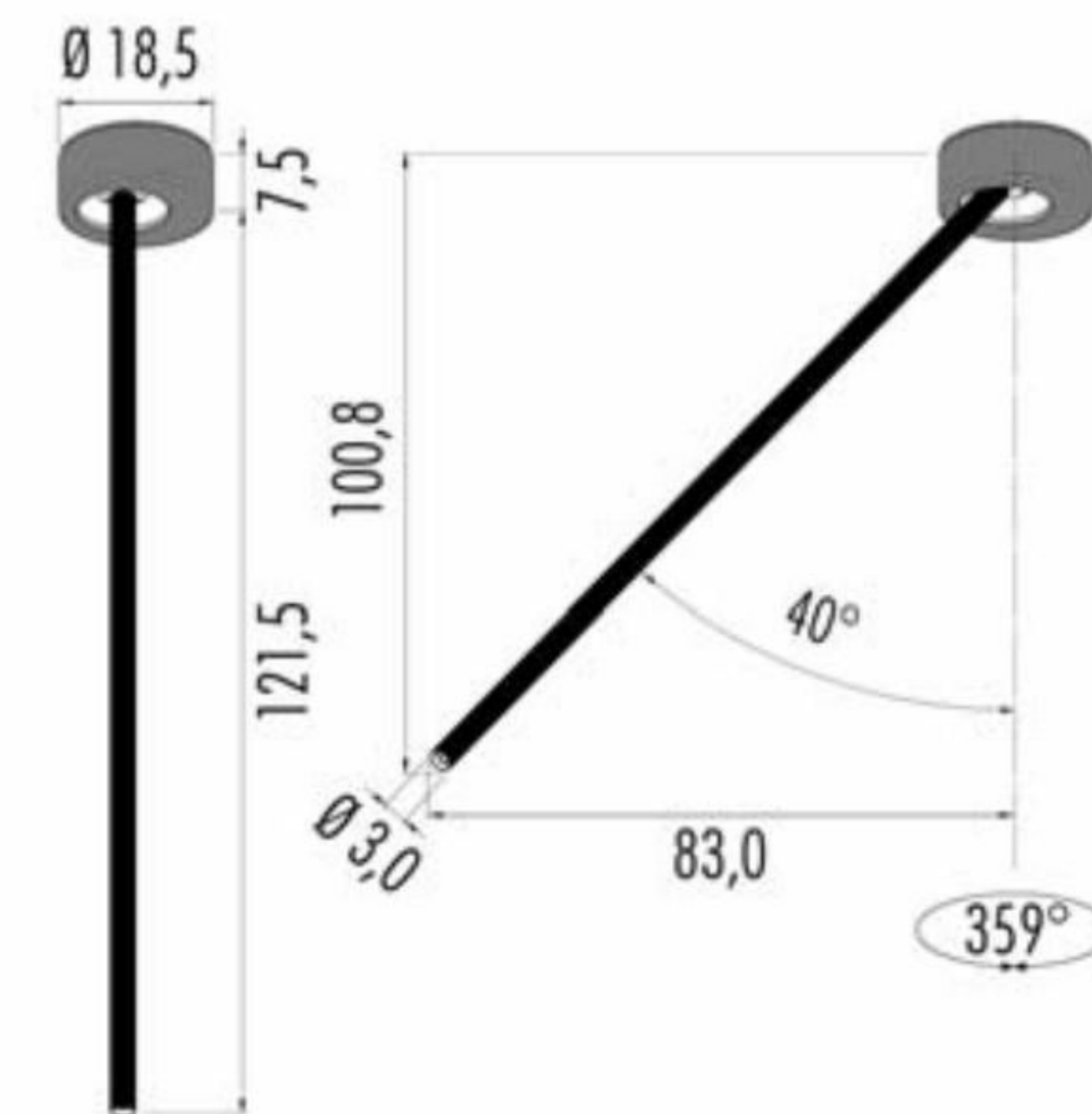
Emergency unit: (inverter + battery. Driver not included)

3KIT.900.01 (1-1)	1:00 hour
3KIT.900.03 (1-1)	3:00 hours

Housing for plasterboard - Cassaforma cartongesso Ø 12,5cm

- **1W00.125.01**
Housing for plasterboard with 1,2cm max thickness
Cassaforma per cartongesso con spessore max di 1,2cm

Pop 04K Magic Ø 3,0 ceiling - plafone



IP40	CE	F	Ⓢ
220-240V	LED 13,4W	CRI>95	
3P04K.2	M. □ dimm. IGBT - TRIAC		
4P04K.2	M. □ dimm. IGBT - TRIAC		
With honeycomb - Con frangiluce			
3P04KA2	M. □ DALI		
4P04KA2	M. □ DALI		
With honeycomb - Con frangiluce			
3P04KG2	M. □ Push - 1...10V		
4P04KG2	M. □ Push - 1...10V		
With honeycomb - Con frangiluce			
■ Led color	Nominal lm	▲ Beam spread	
2 = 2700K	1650	35°	
3 = 3000K	1727		
4 = 4000K	1786		

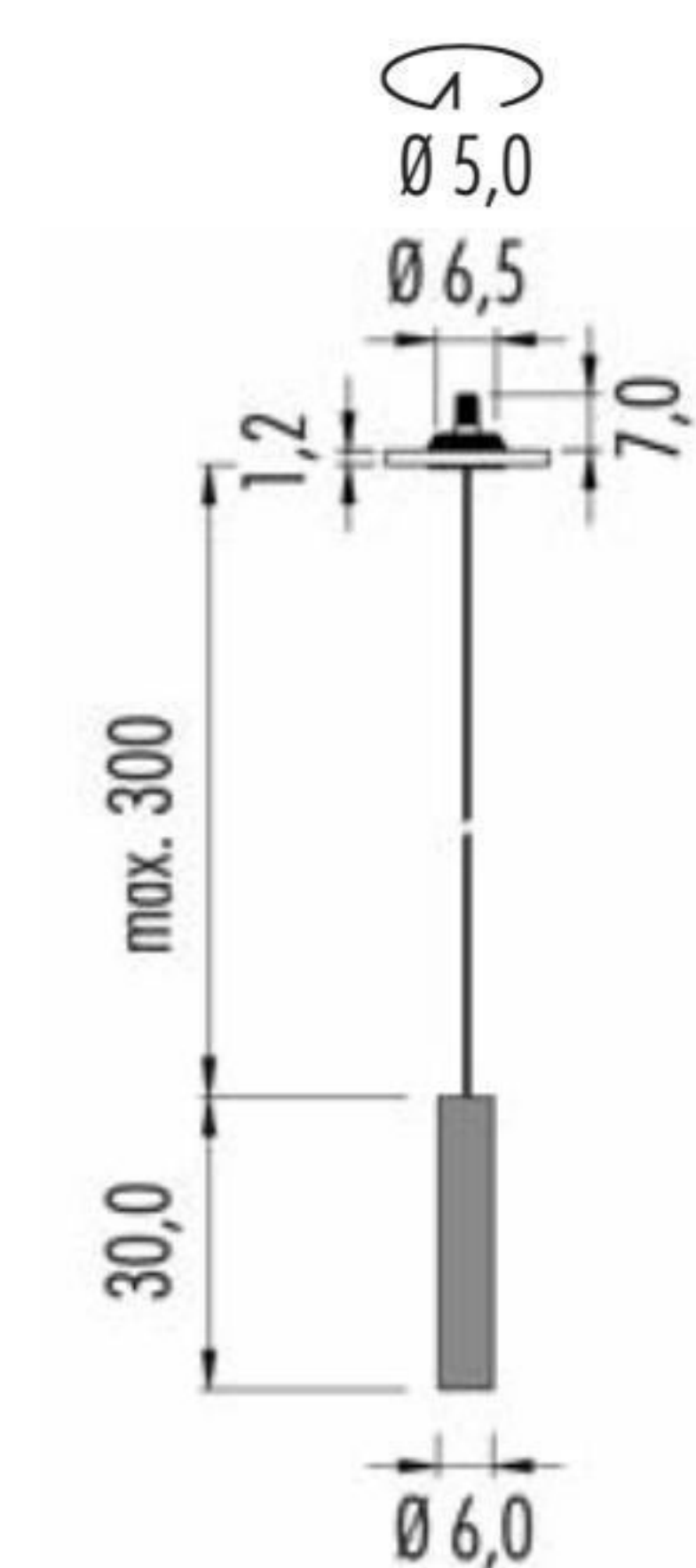
□ Frame - Struttura

- 02 ● Black - Nero
- 06 ○ White - Bianco

(m-M) = min. Led unit - Max Led unit. Led and Emergency unit, warranty only when used together with driver bought from Oty srl.

(m-M) = gestione minima e massima delle unità Led. I Led e le unità di emergenza, sono coperti da garanzia solo se utilizzati in abbinamento con i driver forniti dalla Oty srl.





Pop 06 Ø 6,0 Mono-color

IP20 ☒ **ARC** CE ▽

220-240V

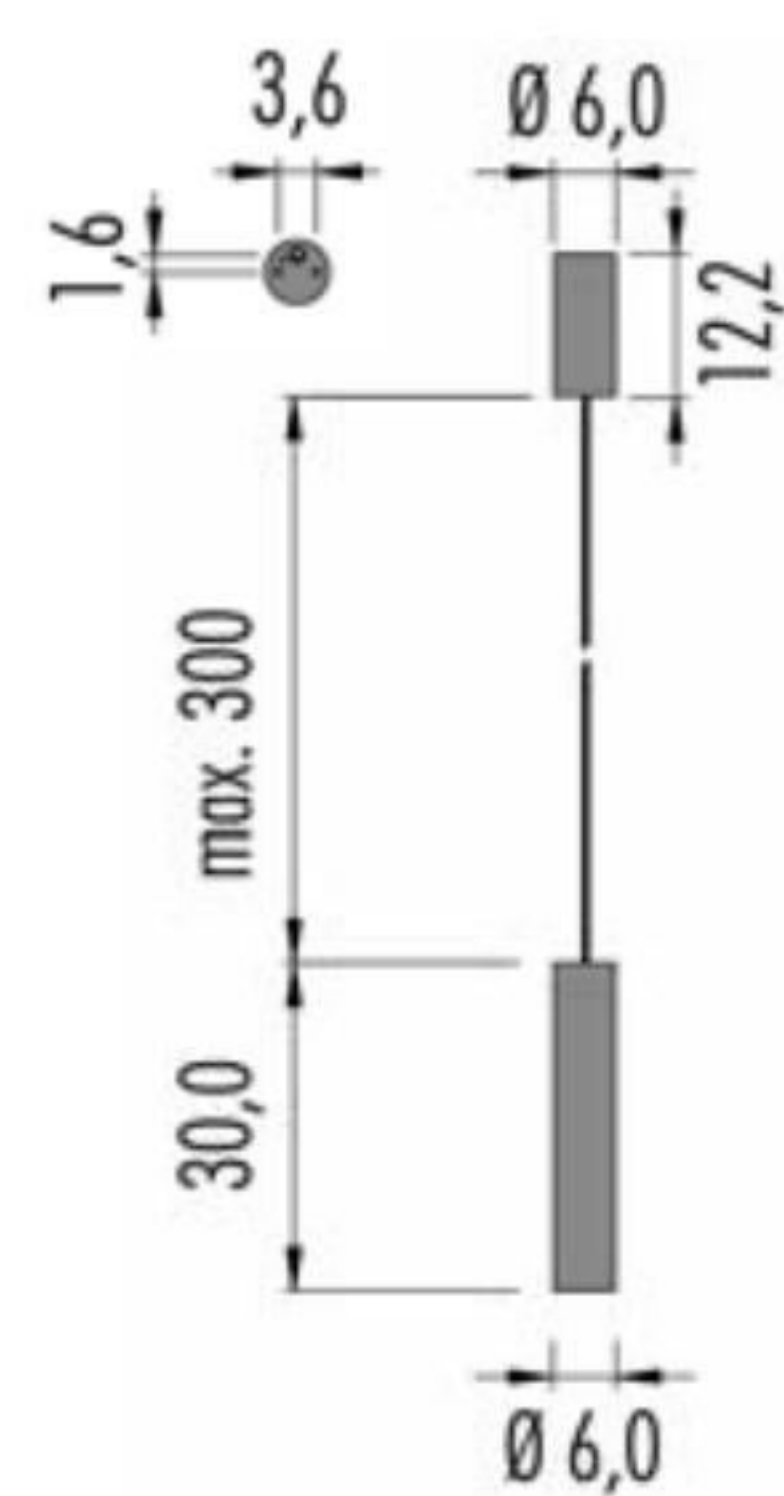
3P06A.210.☐ **GU10** 1x50W

IP20 Flicker < 20% CE ▽ MC-E=3

220-240V **9,5W** CRI>90

3P06A.K■**S.**☐ dimm. IGBT - TRIAC

■ Led color	Nominal lm	Beam spread
2 = 2700K	710	24°
3 = 3000K	760	



IP20 ☒ **CUP** CE ▽

220-240V

3P06.210.☐ **GU10** 1x50W

IP20 Flicker < 20% CE ▽ MC-E=3

220-240V **9,5W** CRI>90

3P06.K■**S.**☐ dimm. IGBT - TRIAC

■ Led color	Nominal lm	Beam spread
2 = 2700K	710	24°
3 = 3000K	760	

☐ *Frame - Struttura* **CUP** - *Rosone*

02 ● *Black - Nero* **Black - Nero**

06 ○ *White - Bianco* **White - Bianco**

Black power supply cable.

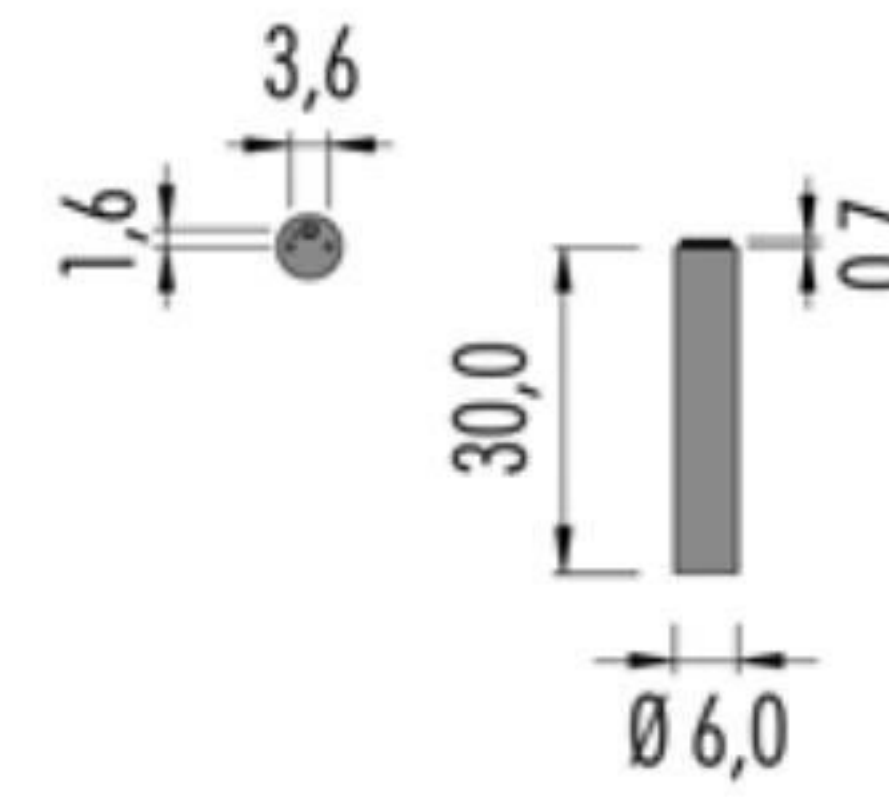
Cavo di alimentazione, nero.



Pop 07 Ø 6,0 Mono-color



- *Frame - Struttura*
-
- 02 ● Black - Nero
- 06 ○ White - Bianco



IP20 CE

220-240V

3P07.210.□ GU10 1x50W

IP20 Flicker < 20% CE MC-E=3

220-240V

9,5W

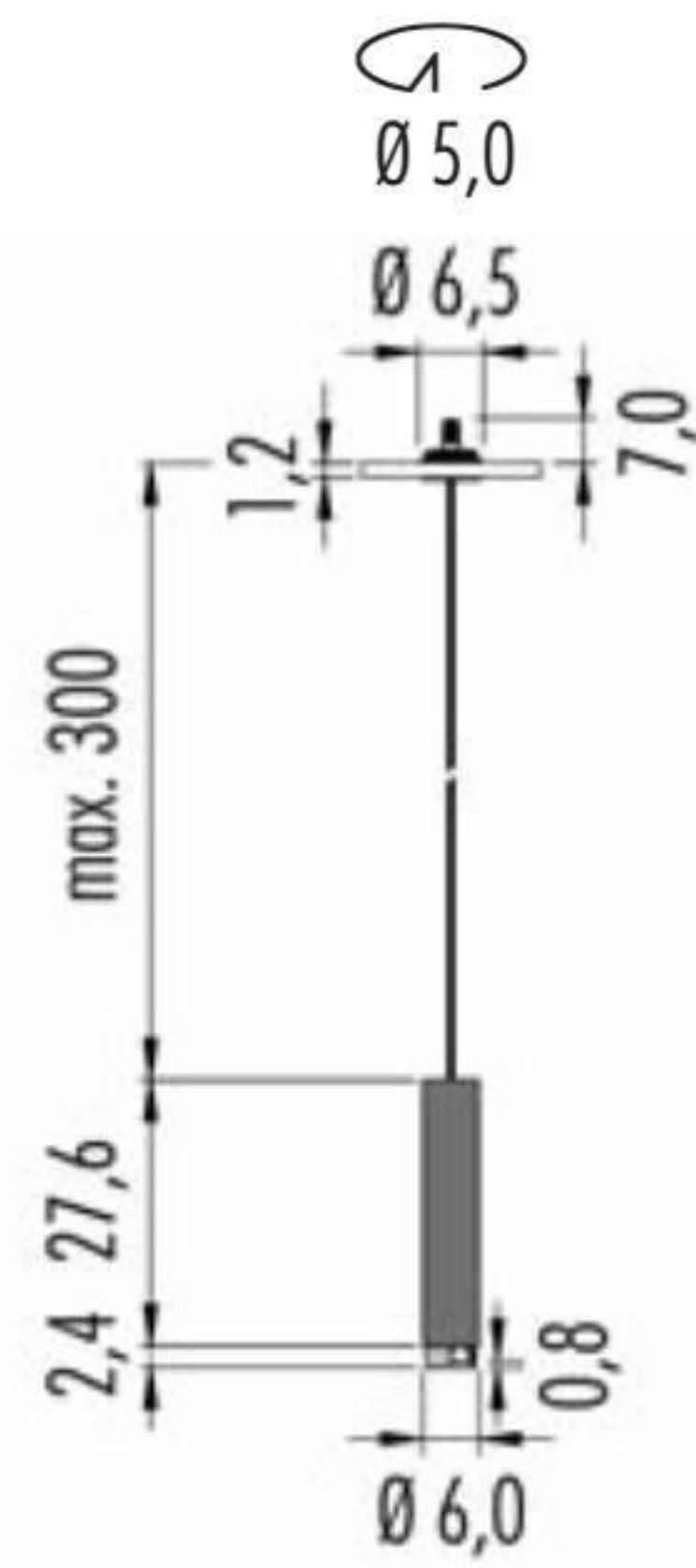
CRI>90

3P07.K■S.□ dimm. IGBT - TRIAC

■ Led color	Nominal lm	Beam spread
2 = 2700K	710	24°
3 = 3000K	760	



Pop 06 Ø 6,0 Bi-color



IP20 **ARC** Flicker < 20% **CE** **MC-E=3**

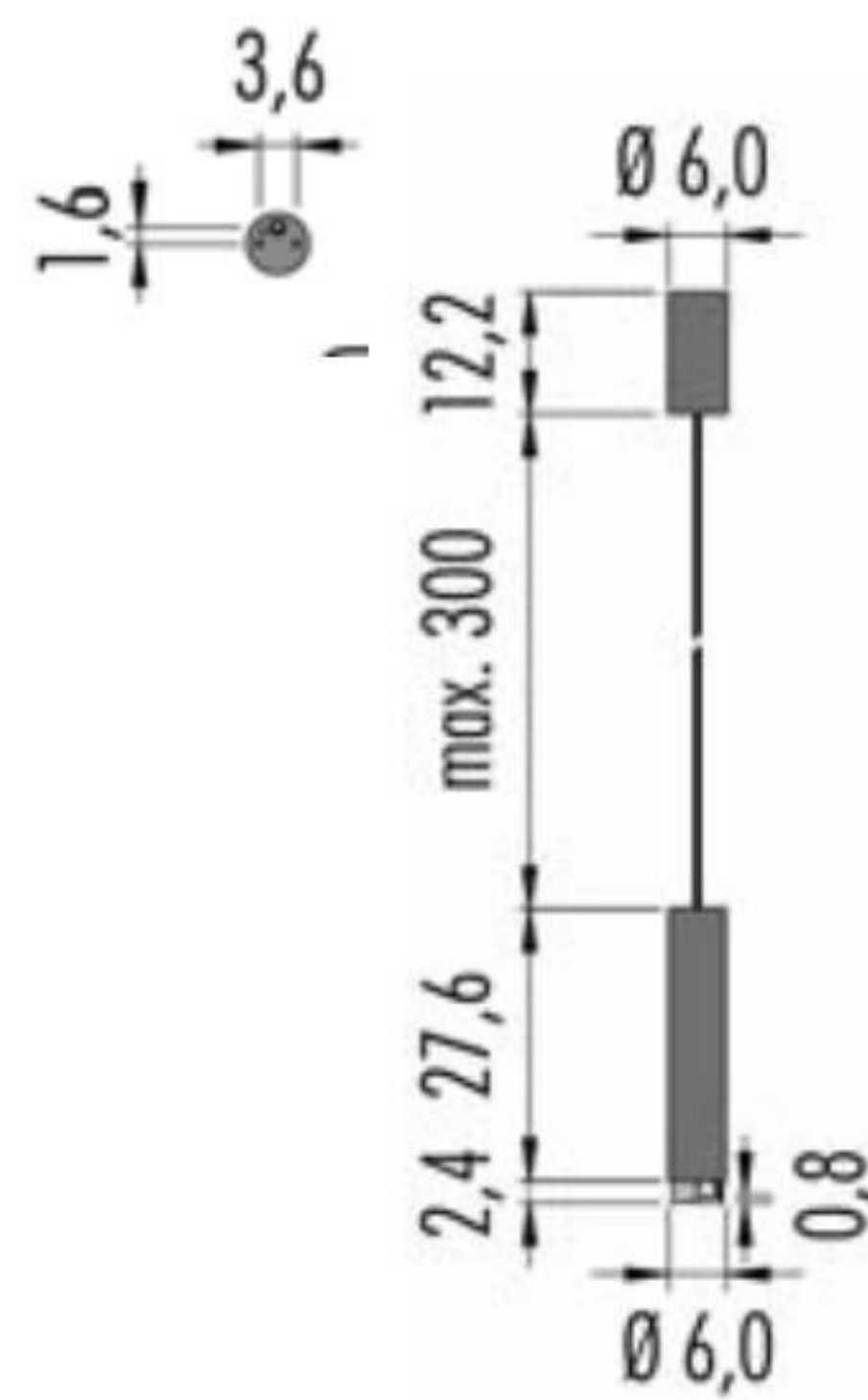
220-240V 9,5W CRI>90 dimm. IGBT - TRIAC

3P06A.K **S.** dimm. IGBT - TRIAC

Led color	Nominal lm	Beam spread
2 = 2700K	710	24°
3 = 3000K	760	

ARC canopy - rosone: White - Bianco

Wire/Cavo: Brass - Ottone



IP20 **CUP** Flicker < 20% **CE** **MC-E=3**

220-240V 9,5W CRI>90 dimm. IGBT - TRIAC

3P06.K **S.** dimm. IGBT - TRIAC

Led color	Nominal lm	Beam spread
2 = 2700K	710	24°
3 = 3000K	760	

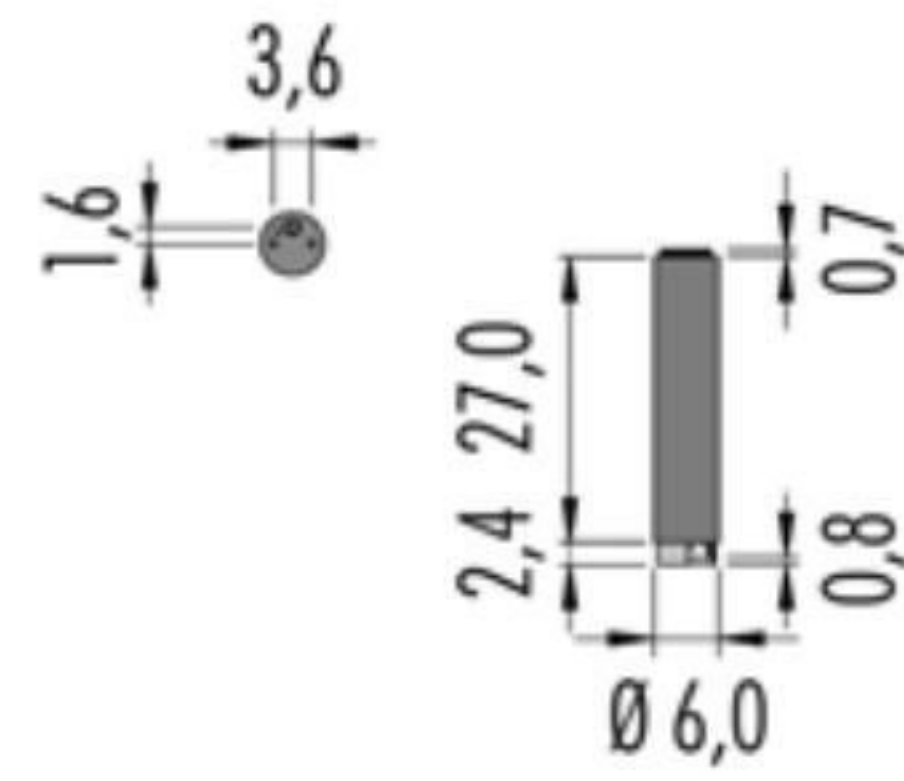
CUP canopy - rosone: see table details - vedere tabella

Wire/Cavo: Brass - Ottone

	Up	Down		CUP
KS	●	●	Black/Brass - Nero/Ottone	Black - Nero
WS	○	●	White/Brass - Bianco/Ottone	White - Bianco
BS	●	●	Blue/Brass - Blu/Ottone	Blue - Blu
GS	●	●	Green/Brass - Verde/Ottone	Green - Verde
PS	●	●	Rose/Brass - Rosa/Ottone	Roses - Rosa
RS	●	●	Red/Brass - Rosso/Ottone	Red - Rosso



Pop 07 Ø 6,0 Bi-color



IP20	Flicker < 20%	CE ∇ MC-E=3
220-240V	9,5W	CRI>90
3P07.K <input checked="" type="checkbox"/> S. <input type="checkbox"/>	dim. IGBT - TRIAC	
<input checked="" type="checkbox"/> <i>Led color</i>	<i>Nominal lm</i>	<i>Beam spread</i>
2 = 2700K	710	24°
3 = 3000K	760	

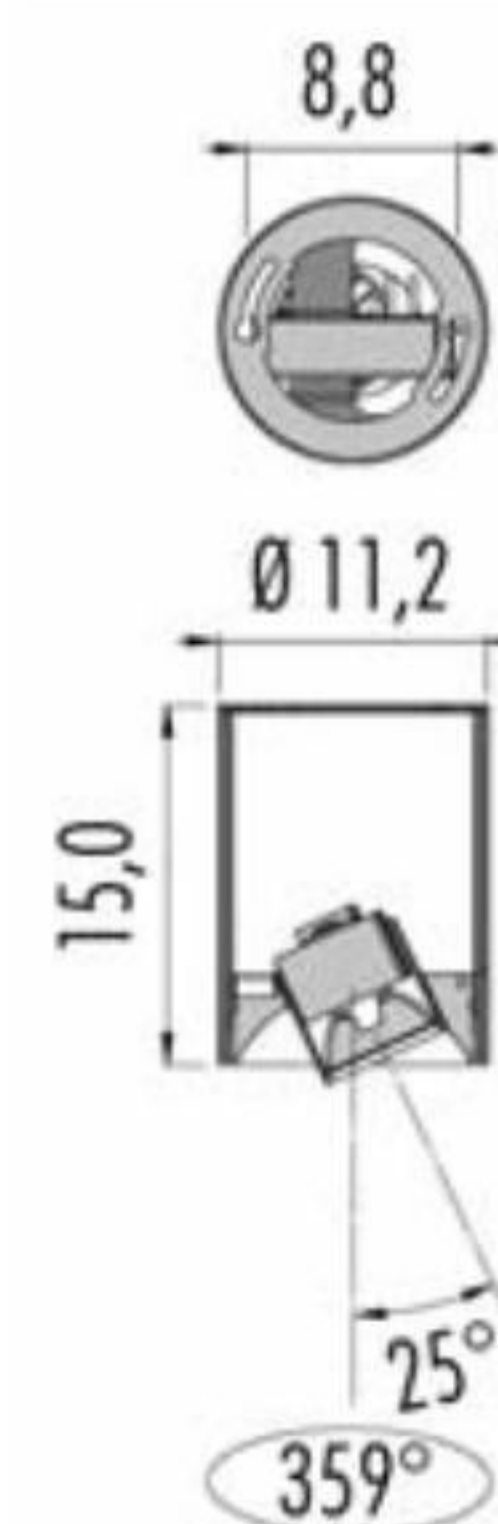
<input type="checkbox"/>	<i>Up</i>	<i>Down</i>	
KS	<input checked="" type="checkbox"/>	<input checked="" type="checkbox"/>	Black/Brass - Nero/Ottone
WS	<input type="checkbox"/>	<input checked="" type="checkbox"/>	White/Brass - Bianco/Ottone
BS	<input checked="" type="checkbox"/>	<input checked="" type="checkbox"/>	Blue/Brass - Blu/Ottone
GS	<input checked="" type="checkbox"/>	<input checked="" type="checkbox"/>	Green/Brass - Verde/Ottone
PS	<input checked="" type="checkbox"/>	<input checked="" type="checkbox"/>	Rose/Brass - Rosa/Ottone
RS	<input checked="" type="checkbox"/>	<input checked="" type="checkbox"/>	Red/Brass - Rosso/Ottone



Pop X7 $\varnothing 11,2$



- Frame - Struttura
- 02 Black - Nero
- 06 White - Bianco



IP20 CE

220V \div 240V

3PX7.211. GU10 led

4PX7.211. GU10 led

With honeycomb - Con frangiluce

IP40 CE MC-E=3

220-240V 9,5W CRI>90 dimm. IGBT - TRIAC

3PX7.K

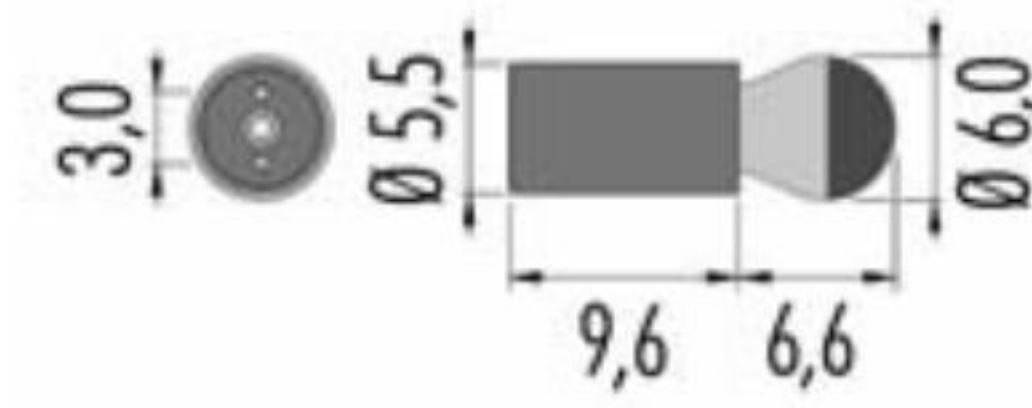
4PX7.K

With honeycomb - Con frangiluce

<input checked="" type="checkbox"/> Led color	Nominal lm	<input checked="" type="checkbox"/> Beam spread
2 = 2700K	834	M = 36°
3 = 3000K	877	S = 24°

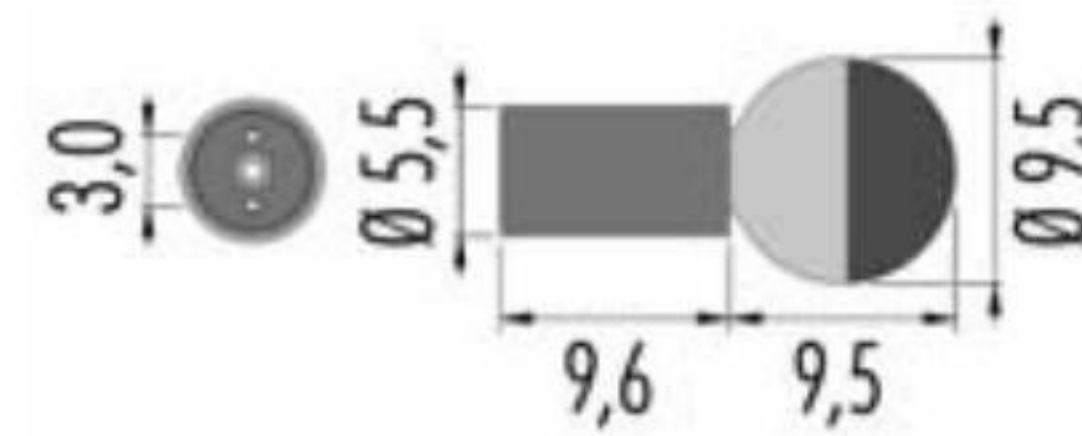


Pop 07 small Bulb
wall - parete



IP20	Ⓛ	CE	▽
220V ÷ 240V	e27 7W	CRI>80	
3P07.A2L. □	dimm. IGBT - TRIAC		
■ Led color	Nominal lm	▲ Beam spread	
2700K	806	180°	

Pop 07 big Bulb
wall - parete

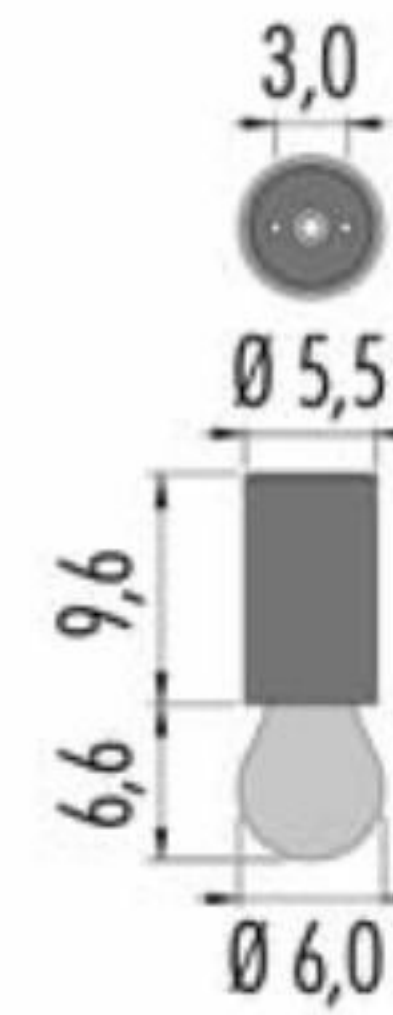


IP20	Ⓛ	CE	▽
220V ÷ 240V	e27 7W	CRI>80	
3P07.B2L. □	dimm. IGBT - TRIAC		
■ Led color	Nominal lm	▲ Beam spread	
2700K	806	180°	

□	Frame - struttura		Bulb - lampadina
02M	Black - Nero	● ○	Mirror Chrome - specchiata cromo
06M	White - Bianco	○ ○	Mirror Chrome - specchiata cromo

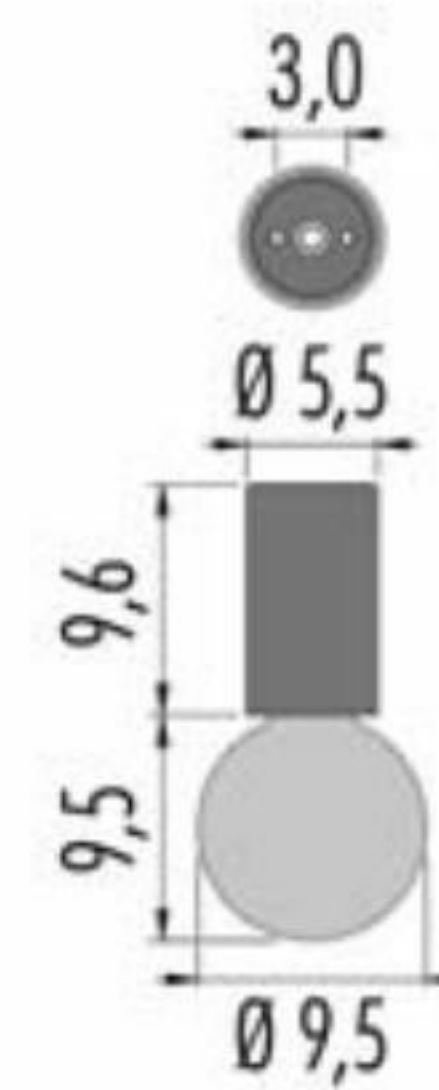


Pop 07 small Bulb
ceiling - plafone



IP20	Ⓛ	CE	▽
220V ÷ 240V	e27 7W	CRI>80	
3P07.A2L. □	dimm. IGBT - TRIAC		
■ <i>Led color</i>	<i>Nominal lm</i>	▲ <i>Beam spread</i>	
2700K	806	180°	

Pop 07 big Bulb
ceiling - plafone



IP20	Ⓛ	CE	▽
220V ÷ 240V	e27 7W	CRI>80	
3P07.B2L. □	dimm. IGBT - TRIAC		
■ <i>Led color</i>	<i>Nominal lm</i>	▲ <i>Beam spread</i>	
2700K	806	180°	

□	<i>Frame - struttura</i>		<i>Bulb - lampadina</i>
02	Black - Nero	● ○	Transparent - Trasparente
06	White - Bianco	○ ○	Transparent - Trasparente



Pop Ring Pull Ø 12,5 with trim

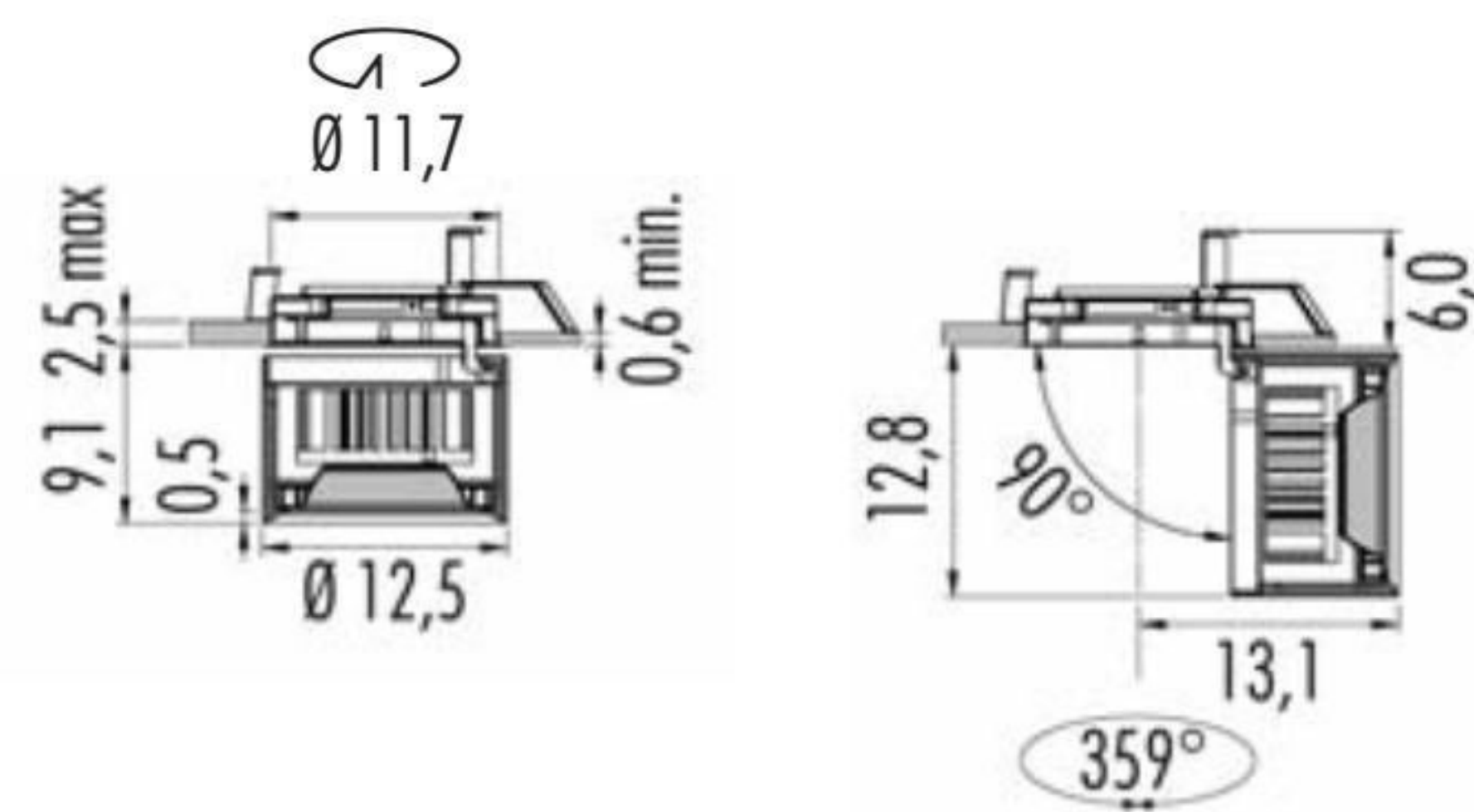


Pop Ring Pull \varnothing 12,5 with trim
For plasterboard. Per cartongesso



- Frame - Struttura*
- 02 Black - Nero
- 06 White - Bianco

(m-M) = min. Led unit - Max Led unit. Led and Emergency unit, warranty only when used together with driver bought from Oty srl.



IP20 © MC-E=3 CE V \triangle \square
 350 m/A - 500 m/A - 600 m/A CRI>90

3PR1P.6 \blacksquare \blacktriangle \square

© (m-M) **LED 12,5W** 350m/A

3KIT.350.1L (1-1) on/off
3KIT.351.40 (1-3) DALI - Push - 1...10V
3KIT.352.15 (1-1) DALI
3KIT.353.15 (1-1) Push - 1...10V
3KIT.354.18 (1-1) IGBT - TRIAC

\blacksquare Led color	Nominal lm	\blacktriangle Beam spread
2 = 2700K	1477	L = 60°
3 = 3000K	1565	S = 24°
4 = 4000K	1635	T = 12°

© (m-M) **LED 18,4W** 500m/A

3KIT.500.1L (1-1) on/off
3KIT.501.50 (1-2) DALI - Push - 1...10V
3KIT.502.20 (1-1) DALI
3KIT.503.20 (1-1) Push - 1...10V
3KIT.504.20 (1-1) IGBT - TRIAC

\blacksquare Led color	Nominal lm	\blacktriangle Beam spread
2 = 2700K	2020	L = 60°
3 = 3000K	2140	S = 24°
4 = 4000K	2236	T = 12°

© (m-M) **LED 23W** 600m/A

3KIT.600.1L (1-1) on/off
3KIT.601.50 (1-1) DALI - Push - 1...10V

\blacksquare Led color	Nominal lm	\blacktriangle Beam spread
2 = 2700K	2228	L = 60°
3 = 3000K	2357	S = 24°
4 = 4000K	2455	T = 12°

Emergency unit: (inverter + battery. Driver not included)

3KIT.900.01 (1-1) 1:00 hour
3KIT.900.03 (1-1) 3:00 hours

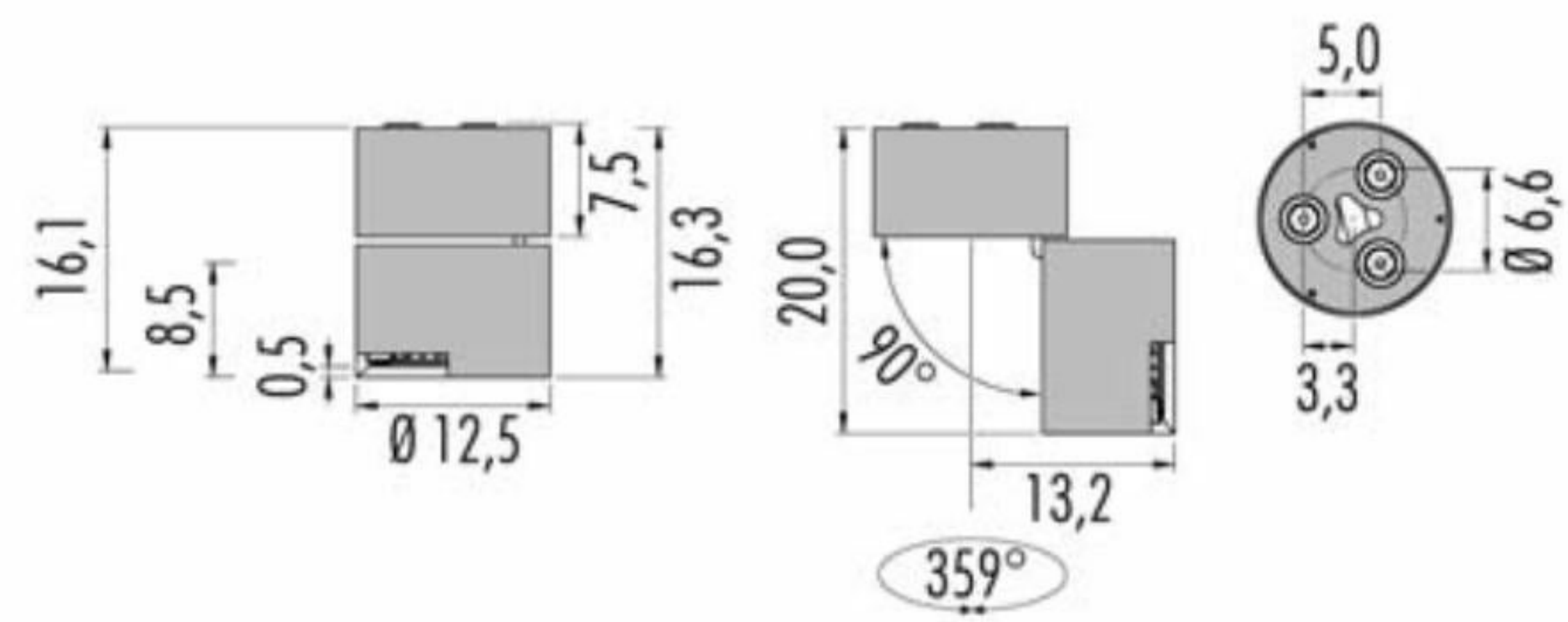
Pop 07 Pull ø 12,5



Pop 07 **Pull** ø 12,5



- *Frame - Struttura*
- 02 ● Black - Nero
- 06 ○ White - Bianco



IP20 ©

CE ▽ MC-E=3

220-240V

18,4W

CRI>90

3P07P.5 ■ ▽ □ IGBT Triac

3P07PA5 ■ ▽ □ DALI

3P07PG5 ■ ▽ □ Push - 1...10V

■ Led color

Nominal lm

▽ Beam spread

2 = 2700K

2176

L = 60°

3 = 3000K

2301

S = 24°

4 = 4000K

2400

T = 12°

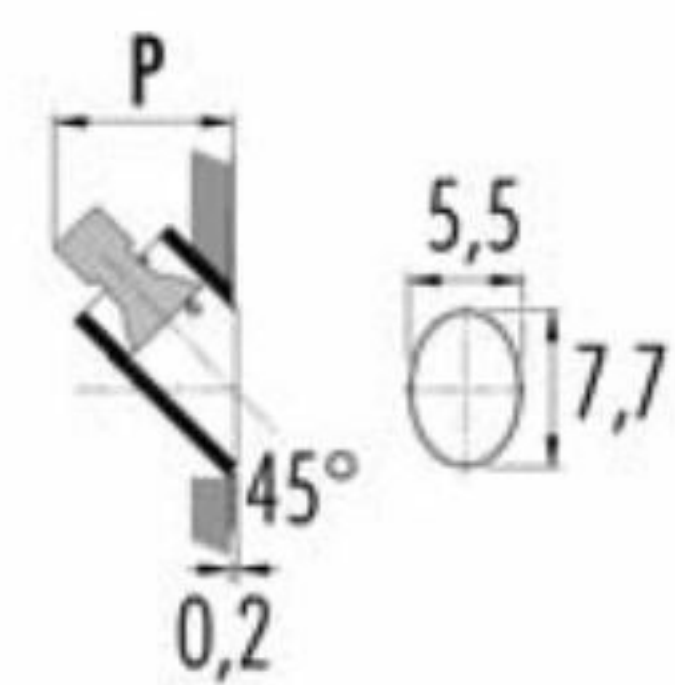
Pop 10 trimless

For plasterboard. Per cartongesso



Code		P
3P10.211.□	GU10 Led	9,2
3P10.220.□	GU5.3	8,4
3P10.x1■S.□	200m/A led	8,5

□	Frame - Struttura
02 ●	Black - Nero
06 ○	White - Bianco



IP20 ☒ CE ▽ □

220V ÷ 240V

3P10.211.□ GU10 led

IP20 ☒ ☒ CE ▽ ◆

12V

3P10.220.□ GU5.3 max 50W

3KIT.201.050 max 50VA

Dimmable gear: IGBT

IP20 ☒ CE ▽ ◆

220-240V LED 3W CRI>95 Driver included

3P10.01■S.□ ON/OFF

3P10.E1■S.□ DALI - Push

3P10.G1■S.□ 0...10V

■ Led color Nominal lm ▽ Beam spread

2 = 2700K 396 24°

3 = 3000K 410

Housing for plasterboard - Cassaforma cartongesso

- 1Z00.070.01



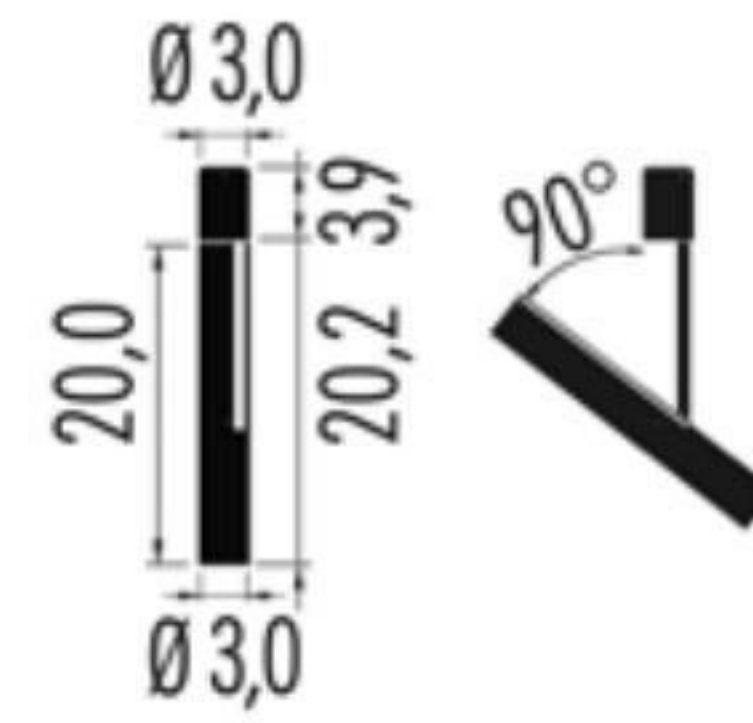
Pop P12/D Ø 3,0



Pop P12/D Ø 3,0
wall/ceiling - parete/plafone



- Frame - Struttura
- 02 ● Black - Nero
- 06 ○ White - Bianco



IP20

CE

250m/A

LED 10W

CRI>95

3P12D.2 ■ S. □

4P12D.2 ■ S. □

With honeycomb - Con frangiluce

■ Led color

Nominal lm

▲ Beam spread

2 = 2700K

989

24°

3 = 3000K

1061

4 = 4000K

1151

© (m-M) Driver remote installation - in remoto

3KIT.250.1L (1-1) on/off

3KIT.251.28 (1-2) DALI - Push - 1...10V

3KIT.252.12 (1-1) DALI

3KIT.253.13 (1-1) Push - 1...10V

3KIT.254.12 (1-1) IGBT - TRIAC

(m-M) = min. Led unit - Max Led unit. Led and Emergency unit, warranty only when used together with driver bought from Oty srl.

(m-M) = gestione minima e massima delle unità Led. I Led e le unità di emergenza, sono coperti da garanzia solo se utilizzati in abbinamento con i driver forniti dalla Oty srl.



Pop P12 $\varnothing 3,0$ trimless

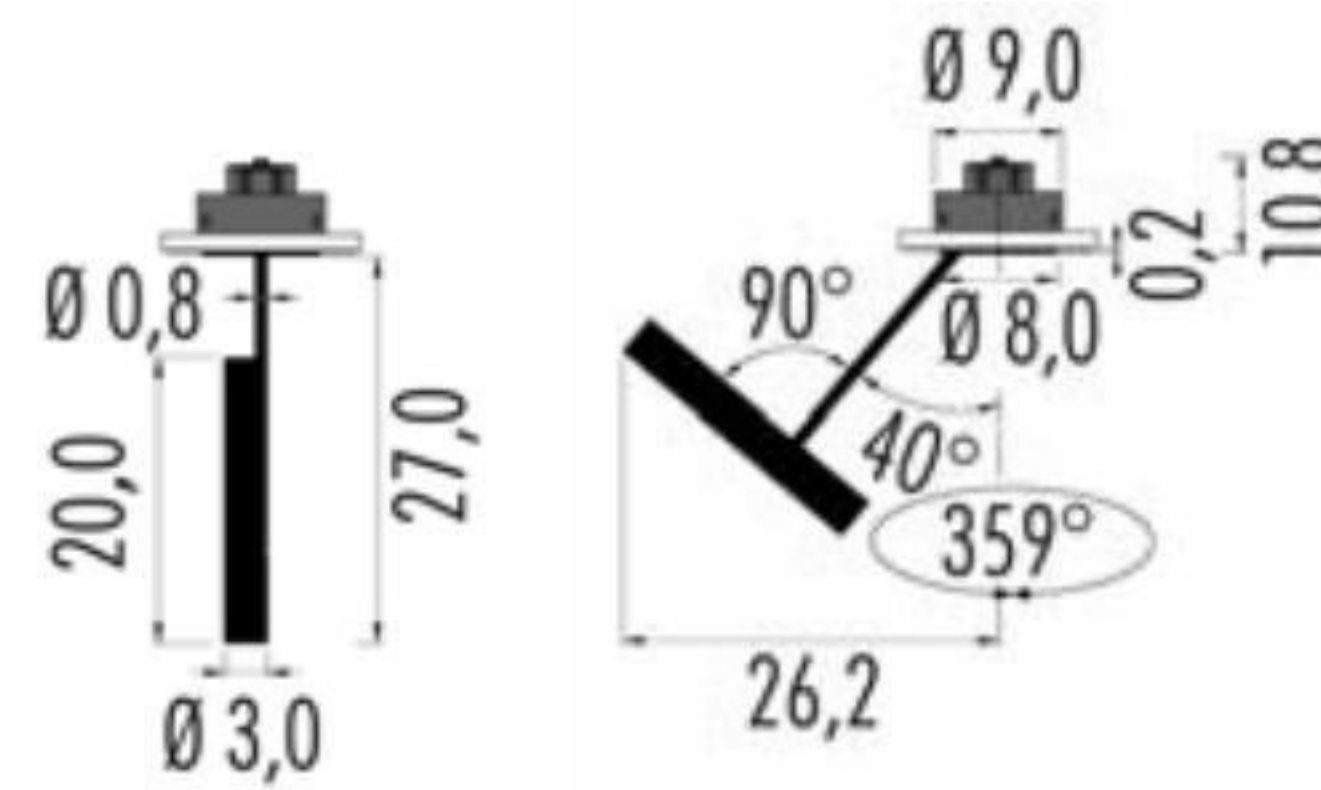
For plasterboard and brickwork. Per cartongesso e laterizio



Frame - Struttura

02 Black - Nero

06 White - Bianco



IP20

CE

250m/A

LED 10W

CRI>95

3P12.2 S.

4P12.2 S.

With honeycomb - Con frangiluce

Led color

Nominal lm

Beam spread

2 = 2700K

989

24°

3 = 3000K

1061

4 = 4000K

1151

© (m-M) Driver

3KIT.250.1L (1-1) on/off

3KIT.251.28 (1-3) DALI - Push - 1...10V
remote installation - in remoto

3KIT.252.12 (1-1) DALI

3KIT.253.13 (1-1) Push - 1...10V

3KIT.254.12 (1-1) IGBT - TRIAC

Emergency unit: (inverter + battery. Driver not included)

3KIT.900.01 (1-1) 1:00 hour

3KIT.900.03 (1-1) 3:00 hours

Housing for plasterboard - Cassaforma cartongesso $\varnothing 9,5$ cm

● 1Z00.080.01

Housing for brickwork - Cassaforma laterizio

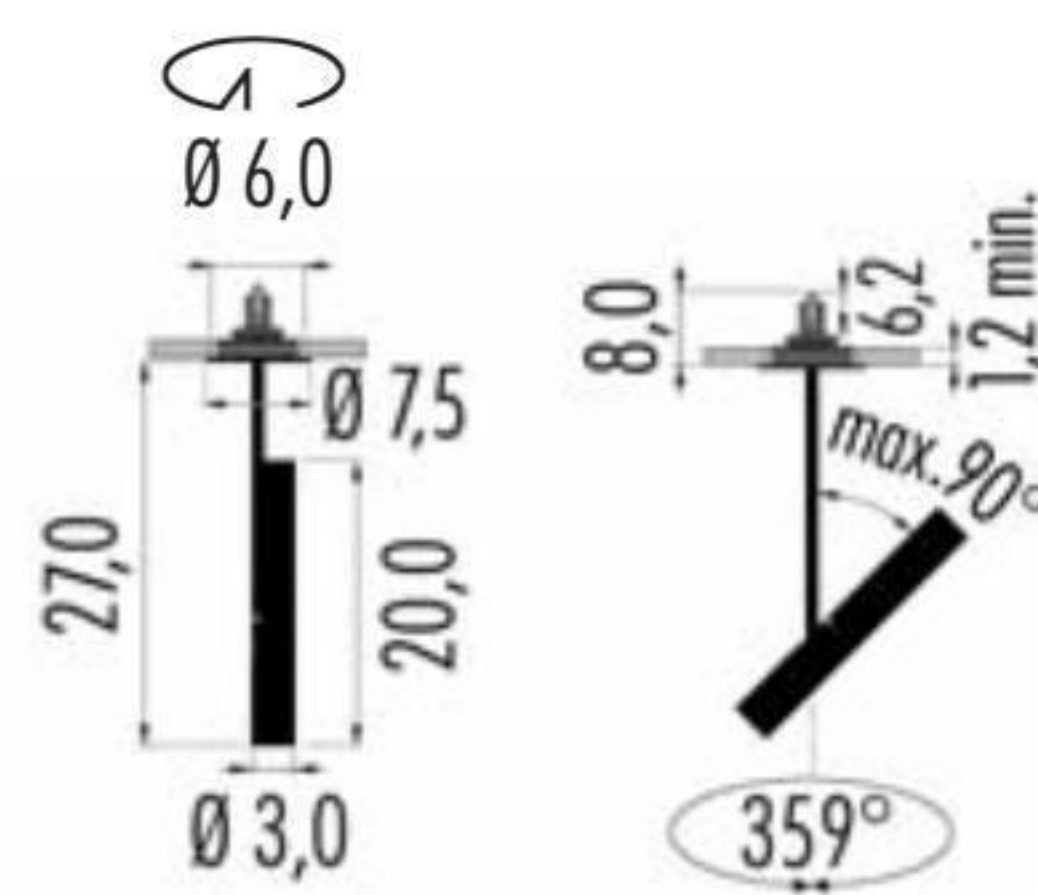
● 1M00.080.01

(m-M) = min. Led unit - Max Led unit. Led and Emergency unit, warranty only when used together with driver bought from Oty srl.

(m-M) = gestione minima e massima delle unità Led. I Led e le unità di emergenza, sono coperti da garanzia solo se utilizzati in abbinamento con i driver forniti dalla Oty srl.



Pop P12/T Ø 3,0 with trim
For plasterboard. Per cartongesso



IP20

CE

250m/A

LED 10W

CRI>95

3P12T.2 S. □

4P12T.2 S. □

With honeycomb - Con frangiluce

■ Led color	Nominal lm	▲ Beam spread
2 = 2700K	989	24°
3 = 3000K	1061	
4 = 4000K	1151	

© (m-M) Driver

3KIT.250.1L (1-1) on/off

3KIT.251.28 (1-3) DALI - Push - 1...10V
remote installation - in remoto

3KIT.252.12 (1-1) DALI

3KIT.253.13 (1-1) Push - 1...10V

3KIT.254.12 (1-1) IGBT - TRIAC

Emergency unit: (inverter + battery. Driver not included)

3KIT.900.01 (1-1) 1:00 hour

3KIT.900.03 (1-1) 3:00 hours

□ Frame - Struttura

02 ● Black - Nero

06 ○ White - Bianco

(m-M) = min. Led unit - Max Led unit. Led and Emergency unit, warranty only when used together with driver bought from Oty srl.

(m-M) = gestione minima e massima delle unità Led. I Led e le unità di emergenza, sono coperti da garanzia solo se utilizzati in abbinamento con i driver forniti dalla Oty srl.



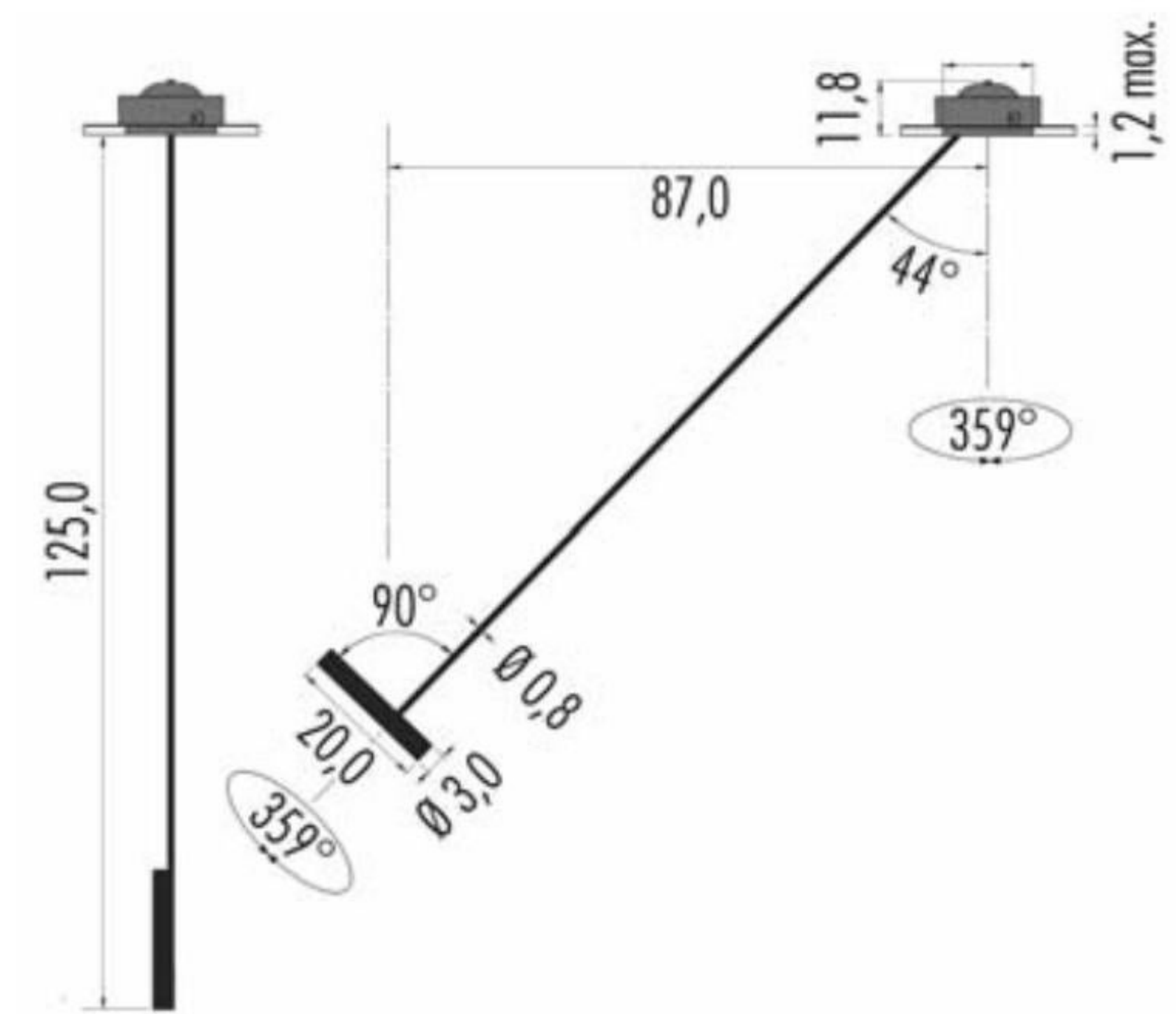
Pop P12/L Ø 3,0 trimless





- *Frame - Struttura*
- 02 ● Black - Nero
- 06 ○ White - Bianco

Pop P12/L Ø 3,0 trimless
For plasterboard. Per cartongesso



IP20 © CE ▽ Ⓢ

250m/A LED 10W CRI>95

3P12L.2 ■ S. □

4P12L.2 ■ S. □

With honeycomb - Con frangiluce

■ Led color	Nominal lm	▴ Beam spread
2 = 2700K	989	24°
3 = 3000K	1061	
4 = 4000K	1151	

© (m-M) Driver

3KIT.250.1L (1-1) on/off

3KIT.251.28 (1-3) DALI - Push - 1...10V
remote installation - in remoto

3KIT.252.12 (1-1) DALI

3KIT.253.13 (1-1) Push - 1...10V

3KIT.254.12 (1-1) IGBT - TRIAC

Emergency unit: (inverter + battery. Driver not included)

3KIT.900.01 (1-1) 1:00 hour

3KIT.900.03 (1-1) 3:00 hours

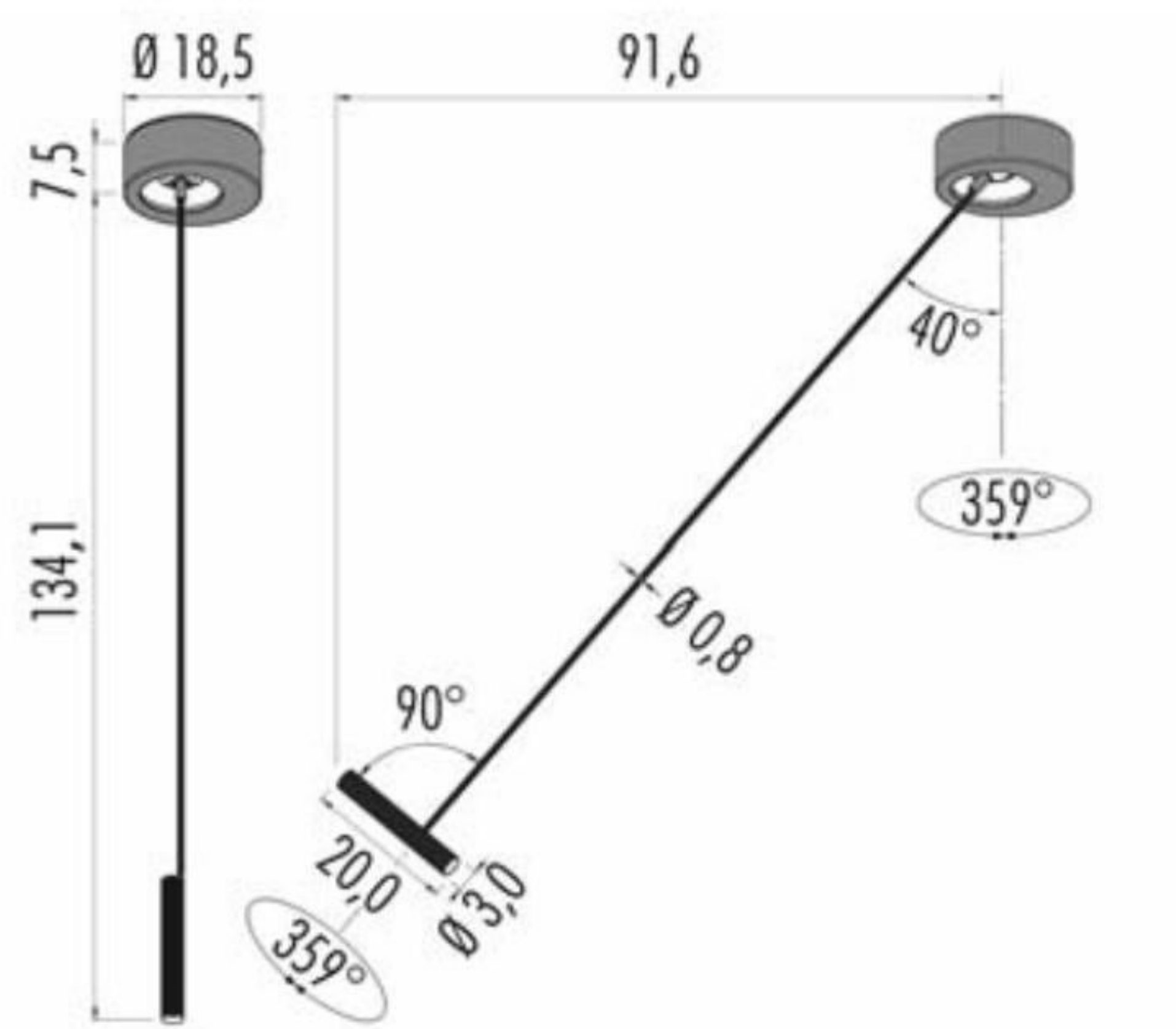
Housing for plasterboard - Cassaforma cartongesso ⌀ 12,5cm

● 1W00.125.01

Housing for plasterboard with 1,2cm max thickness

Cassaforma per cartongesso con spessore max di 1,2cm

Pop P12/K $\varnothing 3,0$
ceiling - plafone



IP20 ©

CE F

220-240V

LED 10W

CRI>95

3P12K.2 ■ S. □ dimm. IGBT - TRIAC

4P12K.2 ■ S. □ dimm. IGBT - TRIAC

With honeycomb - Con frangiluce

3P12KA2 ■ S. □ DALI

4P12KA2 ■ S. □ DALI

With honeycomb - Con frangiluce

3P12KG2 ■ S. □ Push - 1...10V

4P12KG2 ■ S. □ Push - 1...10V

With honeycomb - Con frangiluce

■ Led color

Nominal lm

▲ Beam spread

2 = 2700K

989

24°

3 = 3000K

1061

4 = 4000K

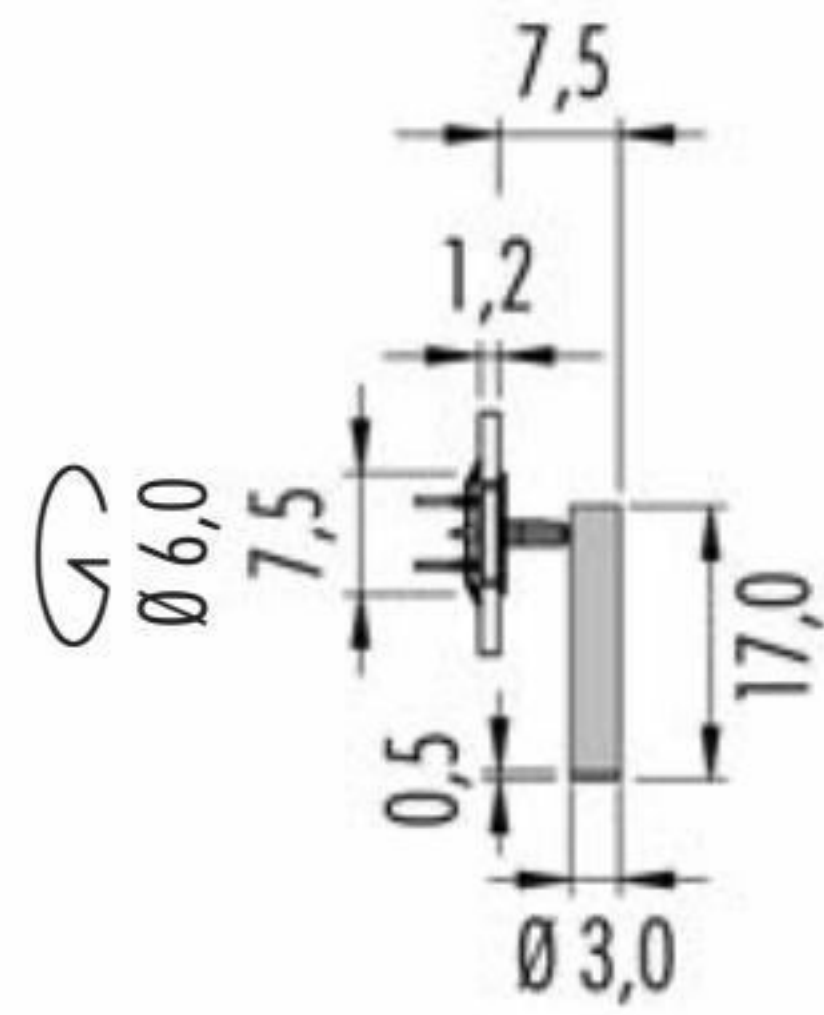
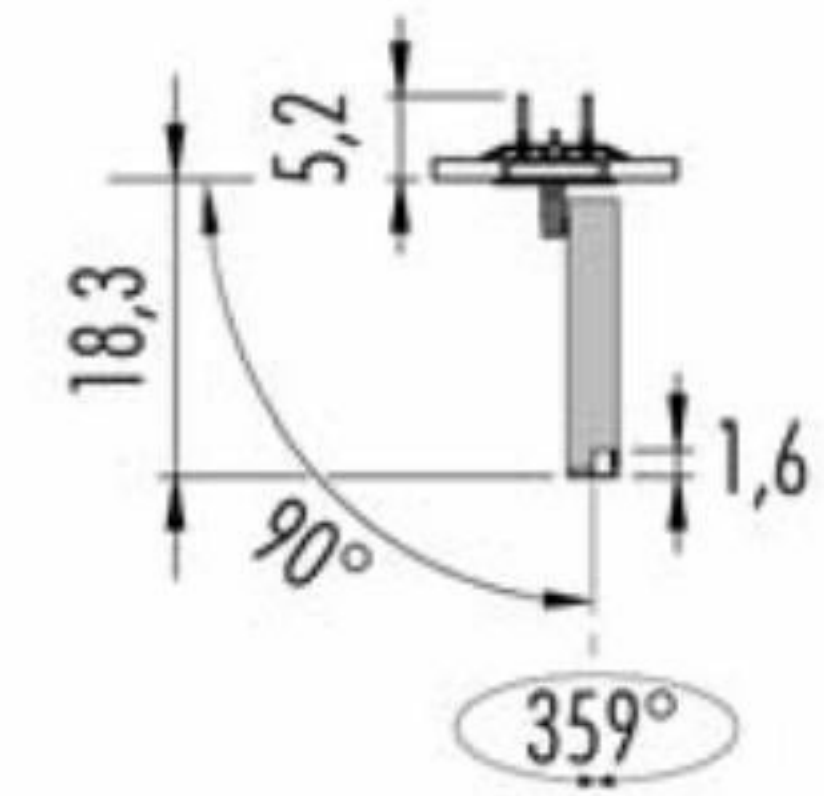
1151

Pop 12 Ring Ø 3,0 with trim



Pop 12 Ring $\varnothing 3,0$ with trim

For plasterboard. Per cartongesso



IP20 MC-E=3

500 m/A 6W CRI>90

3PR12.2 ■ S. □

■ Led color	Nominal lm	Beam spread
2 = 2700K	528	24°
3 = 3000K	552	
4 = 4000K	594	

© (m-M) Driver

3KIT.500.15 (1-1) on/off

3KIT.501.50 (1-7) DALI - Push - 1...10V
remote installation - in remoto

3KIT.502.20 (1-3) DALI

3KIT.503.20 (1-3) Push - 1...10

3KIT.504.10 (1-1) IGBT - TRIAC

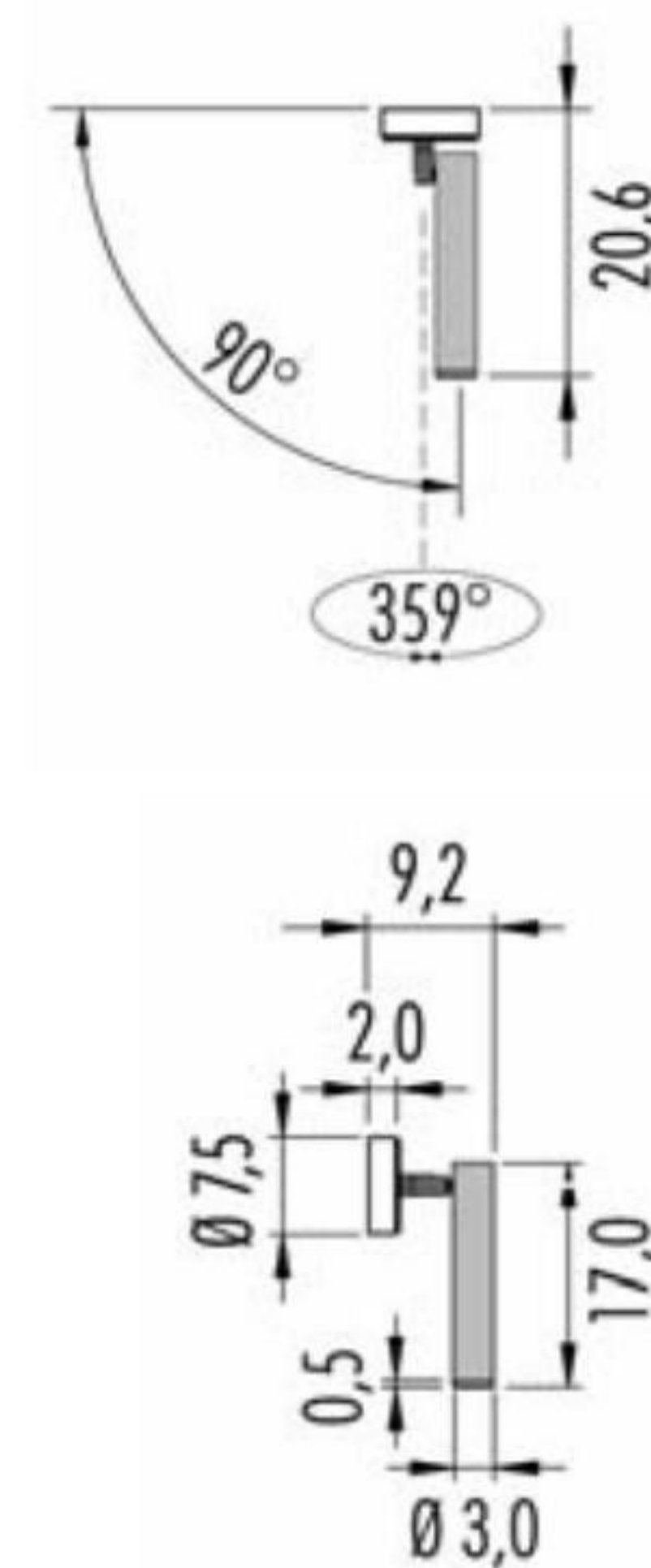
□ *Frame - Struttura*

02 ● Black - Nero

06 ○ White - Bianco

(m-M) = min. Led unit - Max Led unit. Led and Emergency unit, warranty only when used together with driver bought from Oty srl.

Pop 12 Cup \varnothing 3,0
 wall/ceiling - parete/plafone



IP20	MC-E=3	CE
500 m/A	6W	CRI>90
3PC12.2 ■ S. □		

Led color	Nominal lm	Beam spread
2 = 2700K	528	24°
3 = 3000K	552	
4 = 4000K	594	

© (m-M) Driver remote installation - in remoto

3KIT.500.15 (1-1)	on/off
3KIT.501.50 (1-7)	DALI - Push - 1...10V
3KIT.502.20 (1-3)	DALI
3KIT.503.20 (1-3)	Push - 1...10
3KIT.504.10 (1-1)	IGBT - TRIAC

□ Frame - Struttura

02 ● Black - Nero

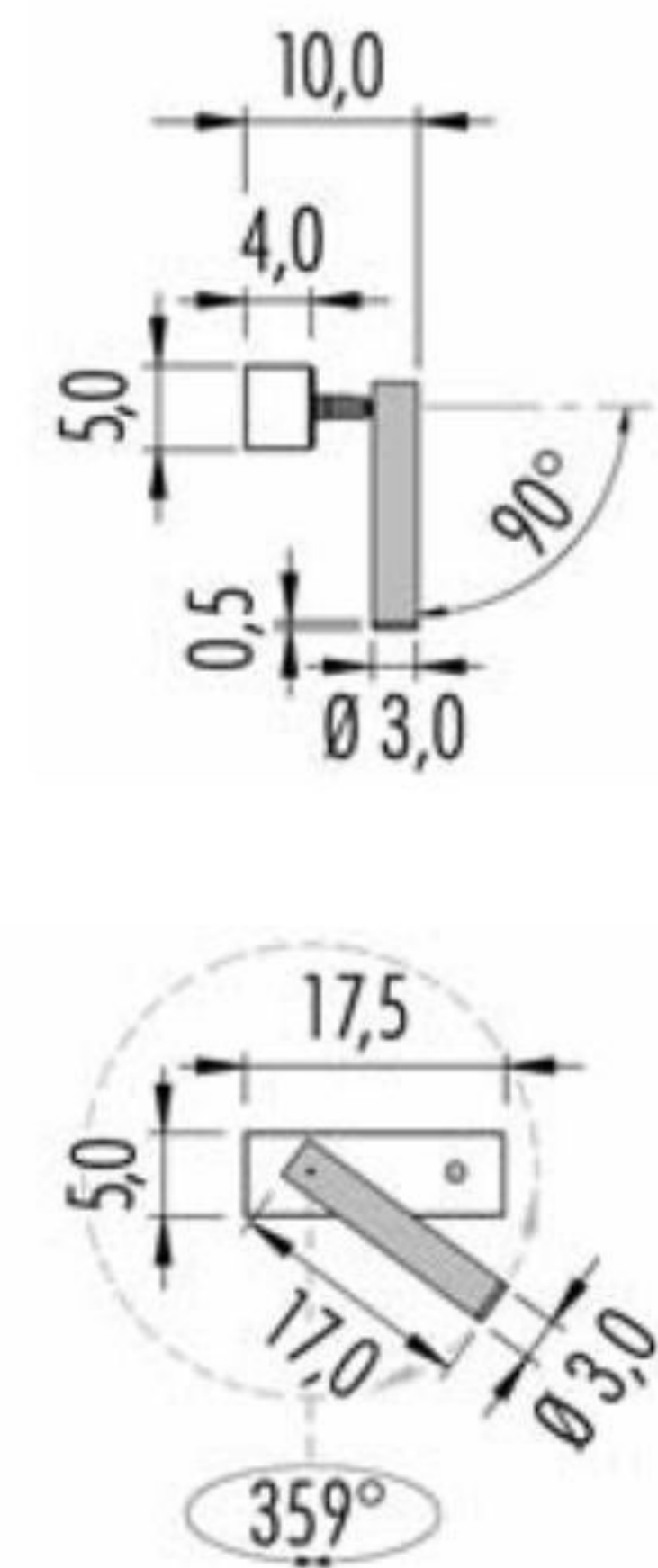
06 ○ White - Bianco

(m-M) = gestione minima e massima delle unità Led. I Led e le unità di emergenza, sono coperti da garanzia solo se utilizzati in abbinamento con i driver forniti dalla Oty srl.

Pop 12/W $\varnothing 3,0$
parete/plafone



- Frame - Struttura
- 02 ● Black - Nero
- 06 ○ White - Bianco



IP40 ©	MC-E=3	CE ▽ Ⓢ
220-240V	3W	CRI>90
3P12W.P ■ S. □	on/off	
with switch - con pulsante		
3P12W.0 ■ S. □	on/off	
without switch - senza pulsante		

■ Led color	Nominal lm	Beam spread
2 = 2700K	340	24°
3 = 3000K	380	

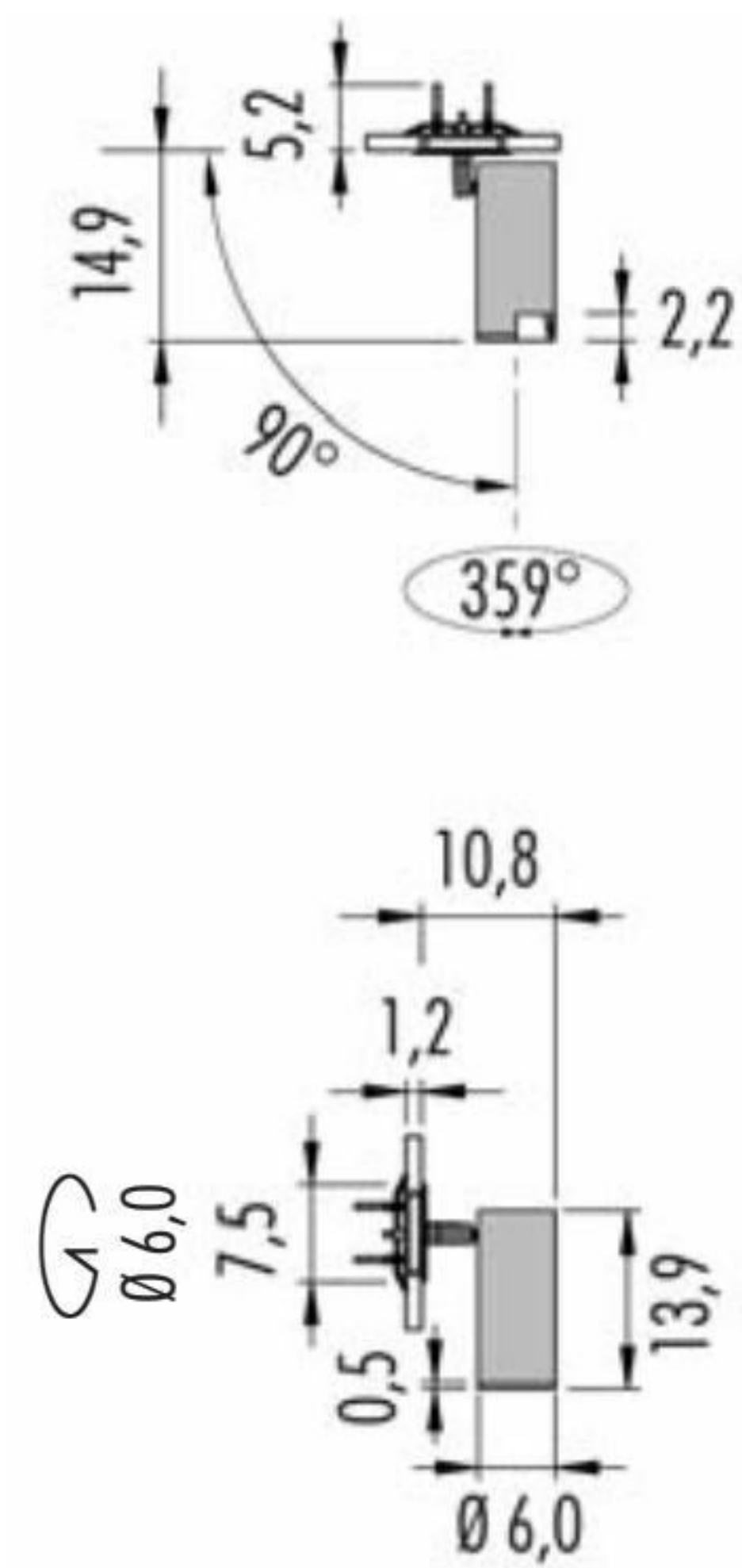
IP40 ©	MC-E=3	CE ▽ Ⓢ
220-240V	6W	CRI>90
3P12W.D ■ S. □	dim. IGBT - TRIAC	
without switch - senza pulsante		

■ Led color	Nominal lm	Beam spread
2 = 2700K	637	24°
3 = 3000K	712	



Pop 12 Ring Ø 6,0 with trim





Pop 12 Ring $\varnothing 6,0$ with trim

For plasterboard. Per cartongesso

IP20	Flicker < 20%	CE	V	□
220V ÷ 240V	9,5W	CRI>90		
3PR12.K ■▲□	dimm IGBT - TRIAC			
4PR12.K ■▲□	dimm IGBT - TRIAC			
<i>With honeycomb. Con frangiluce</i>				

■ Led color	Nominal lm	▲ Beam spread
2 = 2700K	710	M = 36°
3 = 3000K	760	S = 24°

IP20	⊙	MC-E=3	CE	V	⊕
350m/A	11W	CRI>95			
3PR12.3 ■▲□					
4PR12.3 ■▲□					
<i>With honeycomb, only for S (22°) and T (10°)</i>					
<i>Con frangiluce, solo per S (22°) e T (10°)</i>					

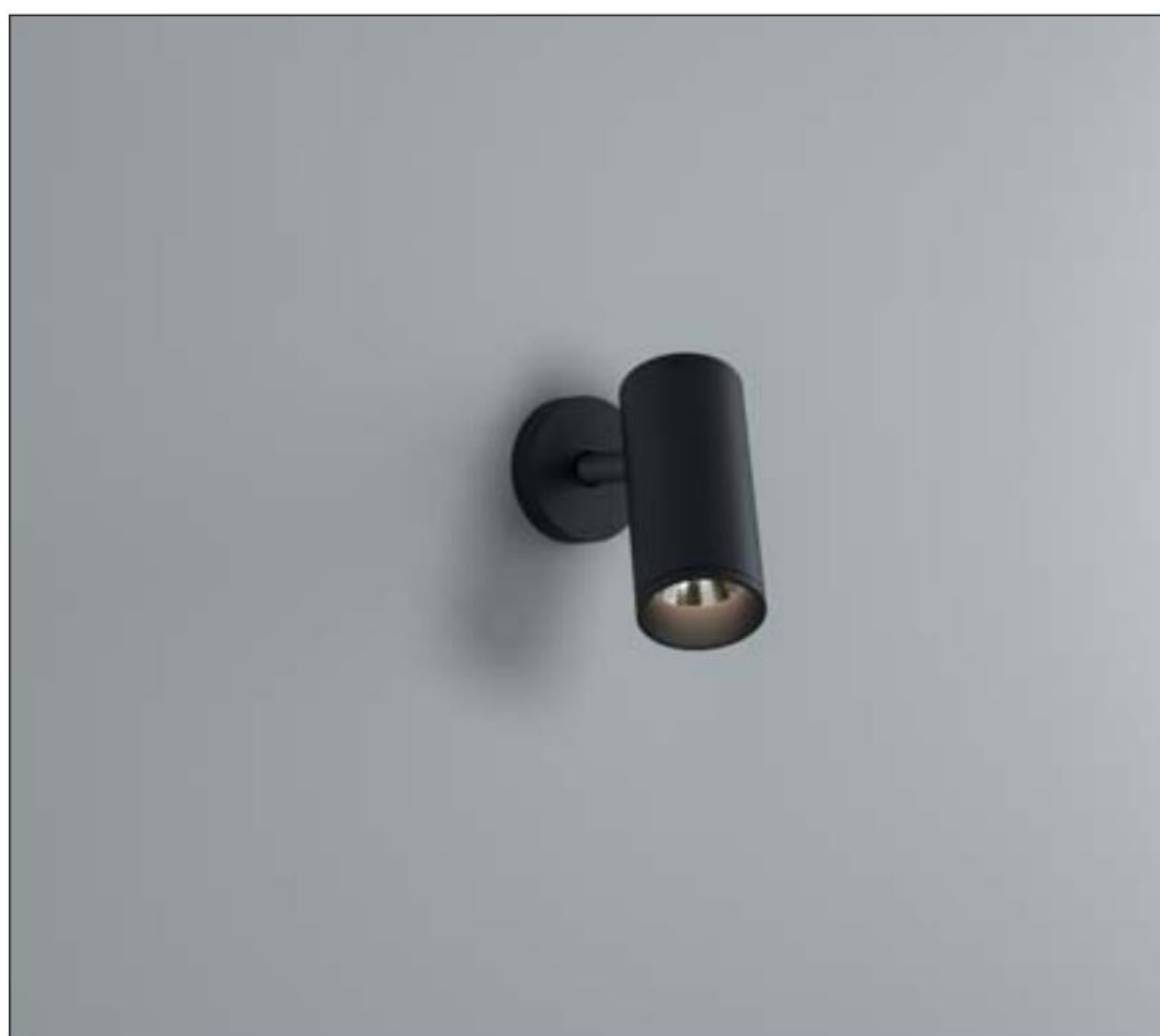
■ Led color	Nominal lm	▲ Beam spread
2 = 2700K	1195	M = 38°
3 = 3000K	1257	S = 22°
4 = 4000K	1313	T = 10°

⊙ (m-M)	Driver
3KIT.350.1L (1-1)	on/off
3KIT.351.40 (1-3)	DALI - Push - 1...10V <i>remote installation - in remoto</i>
3KIT.352.15 (1-1)	DALI
3KIT.353.15 (1-1)	Push - 1...10V
3KIT.354.18 (1-1)	IGBT - TRIAC

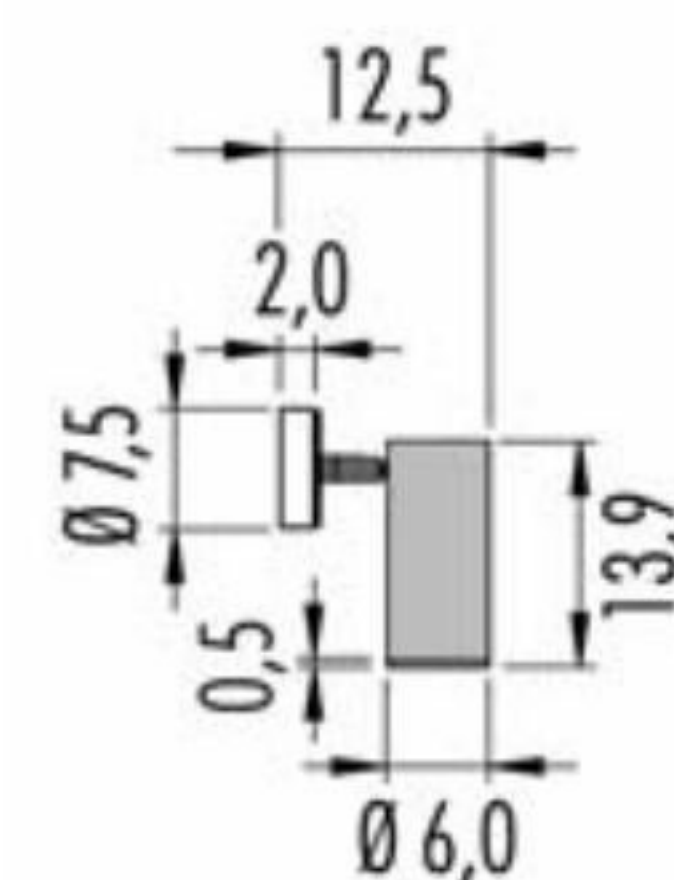
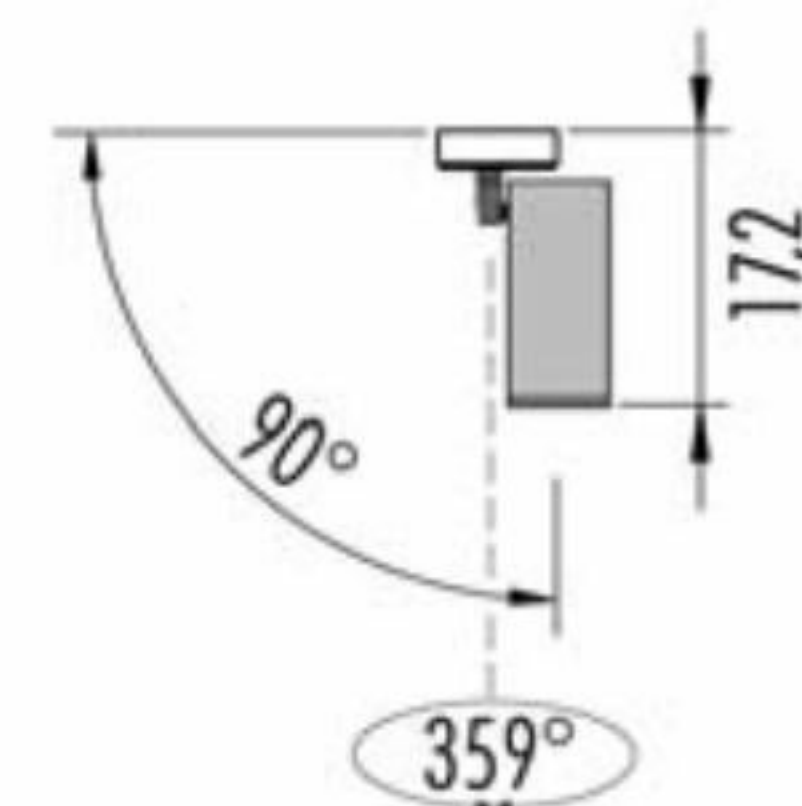
□	Frame - Struttura
02 ●	Black - Nero
06 ○	White - Bianco

(m-M) = min. Led unit - Max Led unit. Led and Emergency unit, warranty only when used together with driver bought from Oty srl.

Pop 12 Cup $\varnothing 6,0$
wall/ceiling - parete/plafone



- Frame - Struttura
- 02 ● Black - Nero
- 06 ○ White - Bianco



IP20	Flicker < 20%	CE	▽	□
220V ÷ 240V	9,5W	CRI>90		
3PC12.K ■ ▲ □	dimm IGBT - TRIAC			
4PC12.K ■ ▲ □	dimm IGBT - TRIAC			
<i>With honeycomb. Con frangiluce</i>				

■ Led color	Nominal lm	▲ Beam spread
2 = 2700K	710	M = 36°
3 = 3000K	760	S = 24°

IP20	⊙	MC-E=3	CE	▽	◇
350m/A	11W	CRI>95			
3PC12.3 ■ ▲ □					
4PC12.3 ■ ▲ □					
<i>With honeycomb, only for S (22°) and T (10°)</i>					
<i>Con frangiluce, solo per S (22°) e T (10°)</i>					

■ Led color	Nominal lm	▲ Beam spread
2 = 2700K	1195	M = 38°
3 = 3000K	1257	S = 22°
4 = 4000K	1313	T = 10°

⊙ (m-M) *Driver remote installation - in remoto*

3KIT.350.1L (1-1)	on/off
3KIT.351.40 (1-3)	DALI - Push - 1...10V
3KIT.352.15 (1-1)	DALI
3KIT.353.15 (1-1)	Push - 1...10V
3KIT.354.18 (1-1)	IGBT - TRIAC

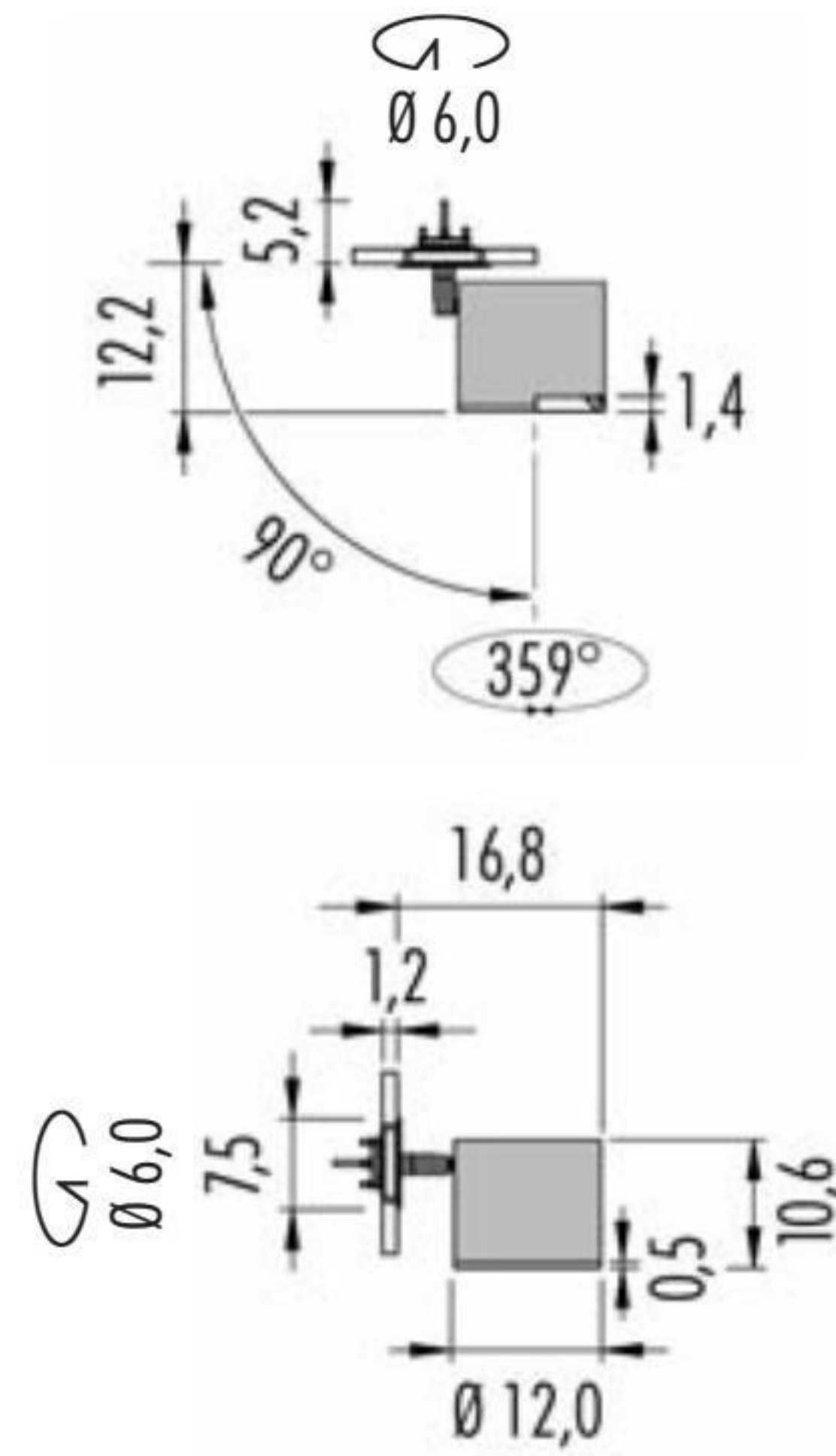
(m-M) = gestione minima e massima delle unità Led. I Led e le unità di emergenza, sono coperti da garanzia solo se utilizzati in abbinamento con i driver forniti dalla Oty srl.

Pop 12 Ring Ø 12,0 with trim



Pop 12 Ring $\varnothing 12,0$ with trim

For plasterboard. Per cartongesso



IP40 MC-E=3

350 - 500 - 700 m/A CRI>90

3PR12.6

© (m-M) **LED 12,5W** 350m/A

3KIT.350.1L (1-1) on/off

3KIT.351.40 (1-3) DALI - Push - 1...10V
remote installation - in remoto

3KIT.352.15 (1-1) DALI

3KIT.353.15 (1-1) Push - 1...10V

3KIT.354.18 (1-1) IGBT - TRIAC

	Led color	Nominal lm		Beam spread
2	2700K	1578	L	60°
3	3000K	1669	S	24°
4	4000K	1740	T	12°

© (m-M) **LED 18,4W** 500m/A

3KIT.500.1L (1-1) on/off

3KIT.501.50 (1-2) DALI - Push - 1...10V
remote installation - in remoto

3KIT.502.20 (1-1) DALI

3KIT.503.20 (1-1) Push - 1...10V

3KIT.504.20 (1-1) IGBT - TRIAC

	Led color	Nominal lm		Beam spread
2	2700K	2176	L	60°
3	3000K	2301	S	24°
4	4000K	2400	T	12°

© (m-M) **LED 27W** 700m/A

3KIT.700.1L (1-1) on/off

3KIT.701.50 (1-1) DALI - Push - 1...10V
remote installation - in remoto

	Led color	Nominal lm		Beam spread
2	2700K	2914	L	60°
3	3000K	3081	S	24°
4	4000K	3213	T	12°

Frame - Struttura

02 Black - Nero

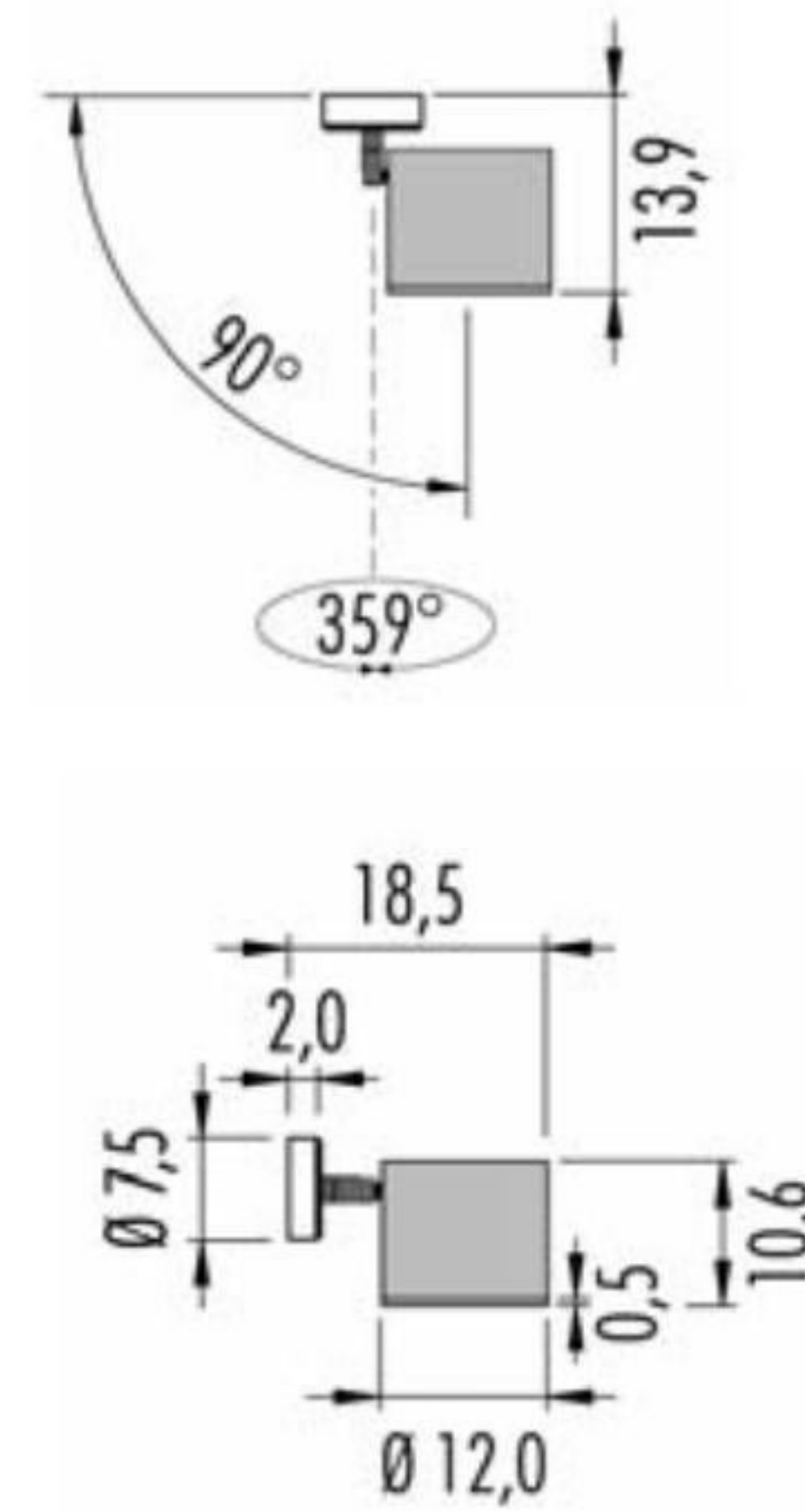
06 White - Bianco

(m-M) = min. Led unit - Max Led unit. Led and Emergency unit, warranty only when used together with driver bought from Oty srl.

Pop 12 Cup \varnothing 12,0
wall/ceiling - parete/plafone



- Frame - Struttura
- 02 ● Black - Nero
- 06 ○ White - Bianco



IP40 MC-E=3
350 - 500 - 700 m/A CRI>90
3PC12.6

© (m-M) **LED 12,5W** 350m/A

remote installation - in remoto

3KIT.350.1L (1-1) on/off
3KIT.351.40 (1-3) DALI - Push - 1...10V
3KIT.352.15 (1-1) DALI
3KIT.353.15 (1-1) Push - 1...10V
3KIT.354.18 (1-1) IGBT - TRIAC

■ Led color	Nominal lm	▲ Beam spread
2 = 2700K	1578	L = 60°
3 = 3000K	1669	S = 24°
4 = 4000K	1740	T = 12°

© (m-M) **LED 18,4W** 500m/A

remote installation - in remoto

3KIT.500.1L (1-1) on/off
3KIT.501.50 (1-2) DALI - Push - 1...10V
3KIT.502.20 (1-1) DALI
3KIT.503.20 (1-1) Push - 1...10V
3KIT.504.20 (1-1) IGBT - TRIAC

■ Led color	Nominal lm	▲ Beam spread
2 = 2700K	2176	L = 60°
3 = 3000K	2301	S = 24°
4 = 4000K	2400	T = 12°

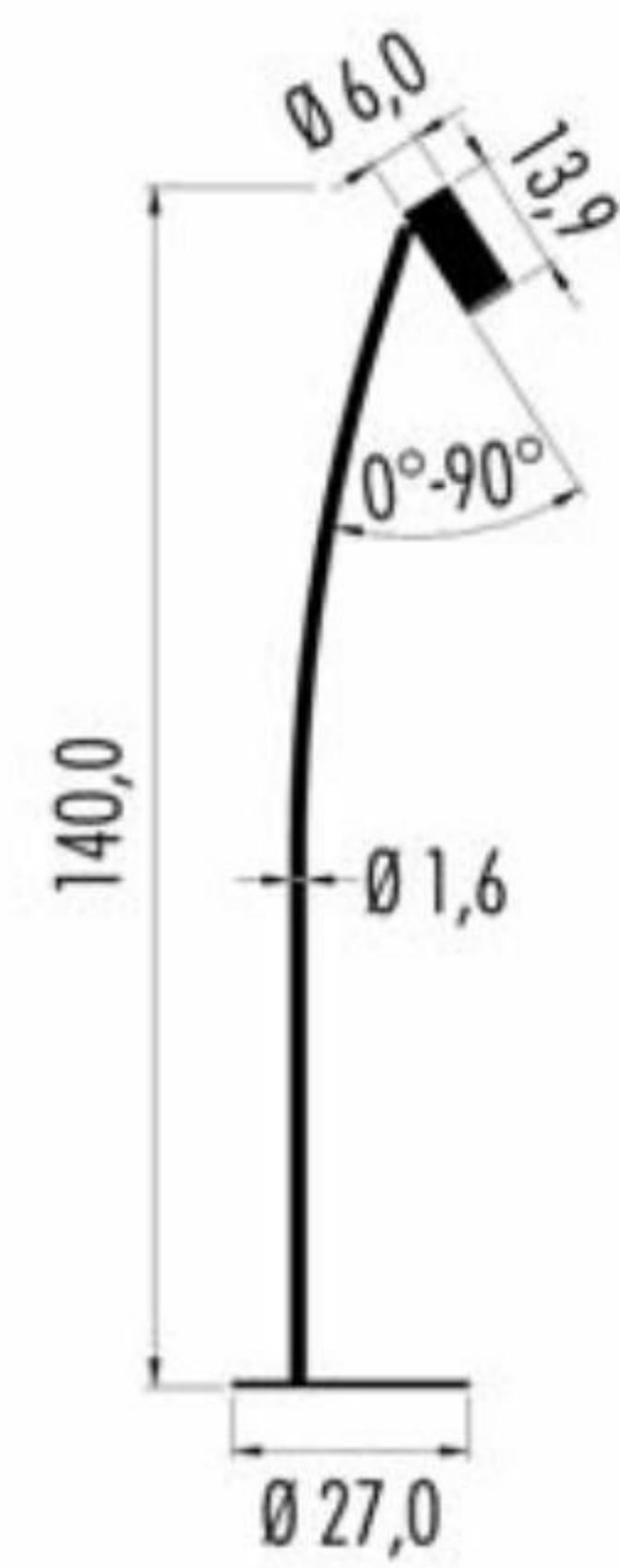
© (m-M) **LED 27W** 700m/A

remote installation - in remoto

3KIT.700.1L (1-1) on/off
3KIT.701.50 (1-1) DALI - Push - 1...10V

■ Led color	Nominal lm	▲ Beam spread
2 = 2700K	2914	L = 60°
3 = 3000K	3081	S = 24°
4 = 4000K	3213	T = 12°

Pop 12 Polifemo PF1



IP20 © MC-E=3 CE ∇
 100-240V 11W CRI>95 dimmable

3PF1.3 ■ S. □

4PF1.3 ■ S. □

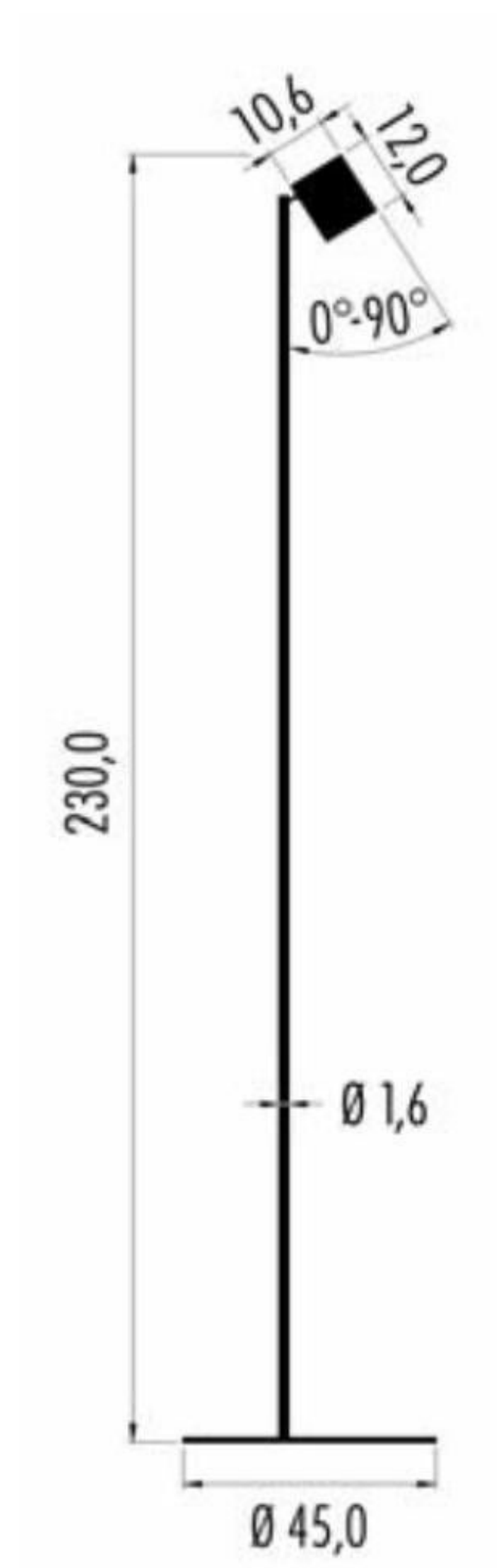
With honeycomb - Con frangiluce

■ Led color	Nominal lm	Beam spread
2 = 2700K	1195	22°
3 = 3000K	1257	
4 = 4000K	1313	

□	Frame - Struttura	Ring - Anello
KC	● Black - Nero	● Copper Anodized - Rame anodiz.
KS	● Black - Nero	● Brass Anodized - Ottone anodiz.
WC	○ White - Bianco	● Copper Anodized - Rame anodiz.
WS	○ White - Bianco	● Brass Anodized - Ottone anodiz.



Pop 12 Polifemo PF3

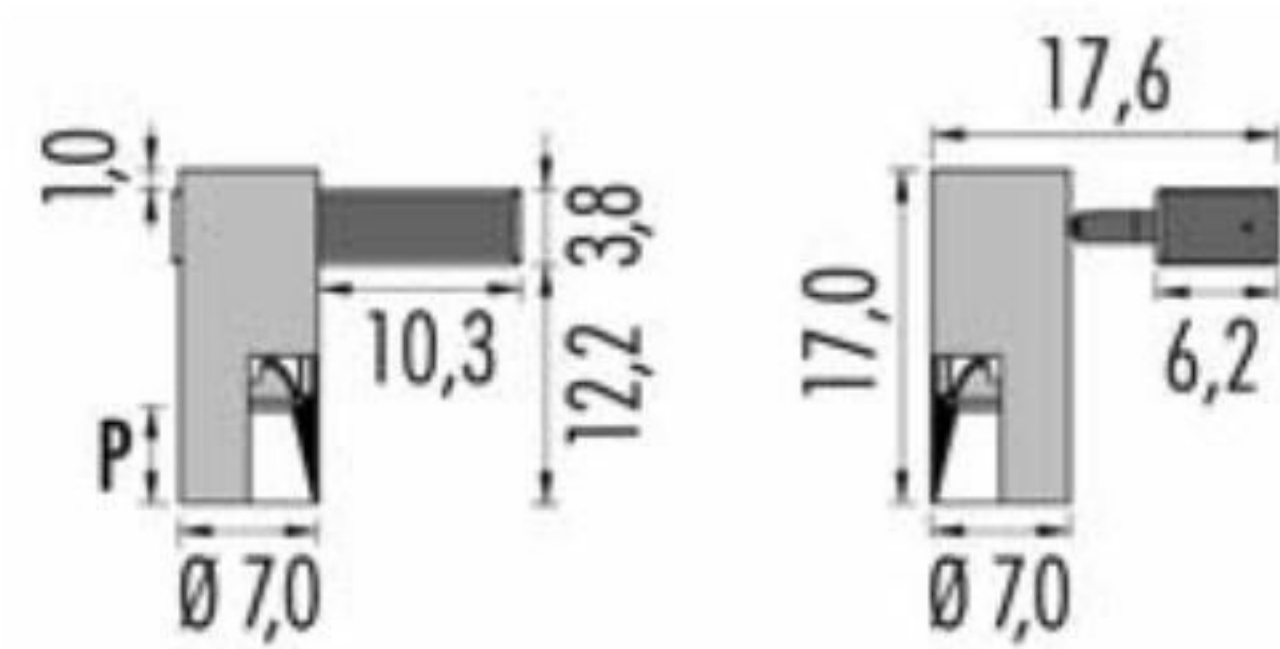


IP20 ©	MC-E=3	CE ▽
100-240V	12,5W CRI>90	dimmable
3PF3.4 ■ ▲ □		
■ Led color	Nominal lm	Beam spread
2 = 2700K	1578	L = 60°
3 = 3000K	1669	S = 24°
4 = 4000K	1740	

□	Frame - Struttura	Ring - Anello
KC ●	Black - Nero	● Copper Anodized - Rame anodiz.
KS ●	Black - Nero	● Brass Anodized - Ottone anodiz.
WC ○	White - Bianco	● Copper Anodized - Rame anodiz.
WS ○	White - Bianco	● Brass Anodized - Ottone anodiz.



Pop 13 Ø 7,0
wall/ceiling - parete/plafone



- Frame - Struttura
- 02 ● Black - Nero
- 06 ○ White - Bianco

IP20 CE

220-240V GU10 1x50W

3P13.210.□

IP20 © CE MC-E=3

220-240V 11W CRI>95

3P13.3 □ IGBT Triac

4P13.3 □ IGBT Triac
With honeycomb - Con frangiluce

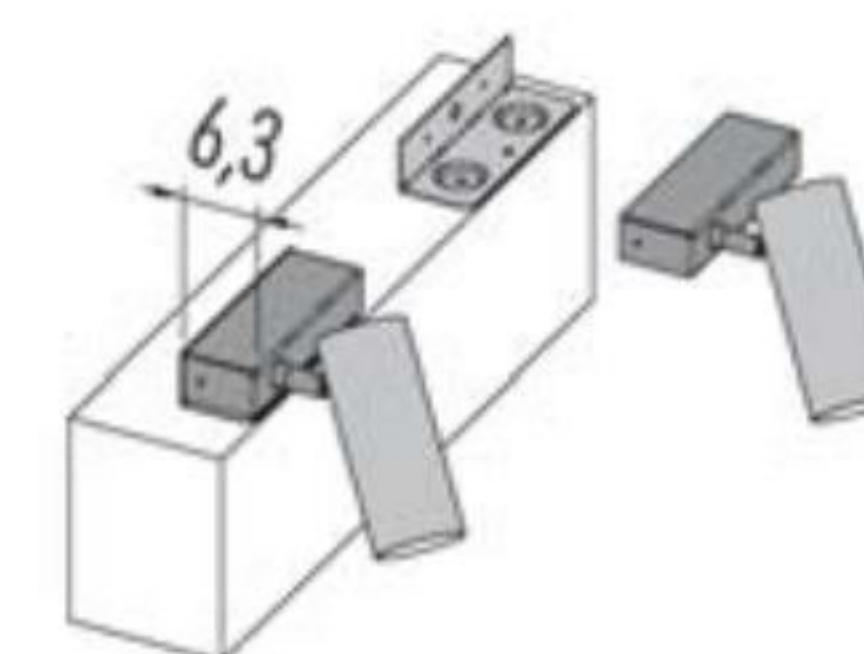
3P13A3 □ DALI

4P13A3 □ DALI
With honeycomb - Con frangiluce

3P13G3 □ Push - 1...10V

4P13G3 □ Push - 1...10V
With honeycomb - Con frangiluce

■ Led color	Nominal lm	▲ Beam spread
2 = 2700K	1119	M = 38° (P=0,5)
3 = 3000K	1257	S = 22° (P=5,0)
4 = 4000K	1313	T = 10° (P=0,5)



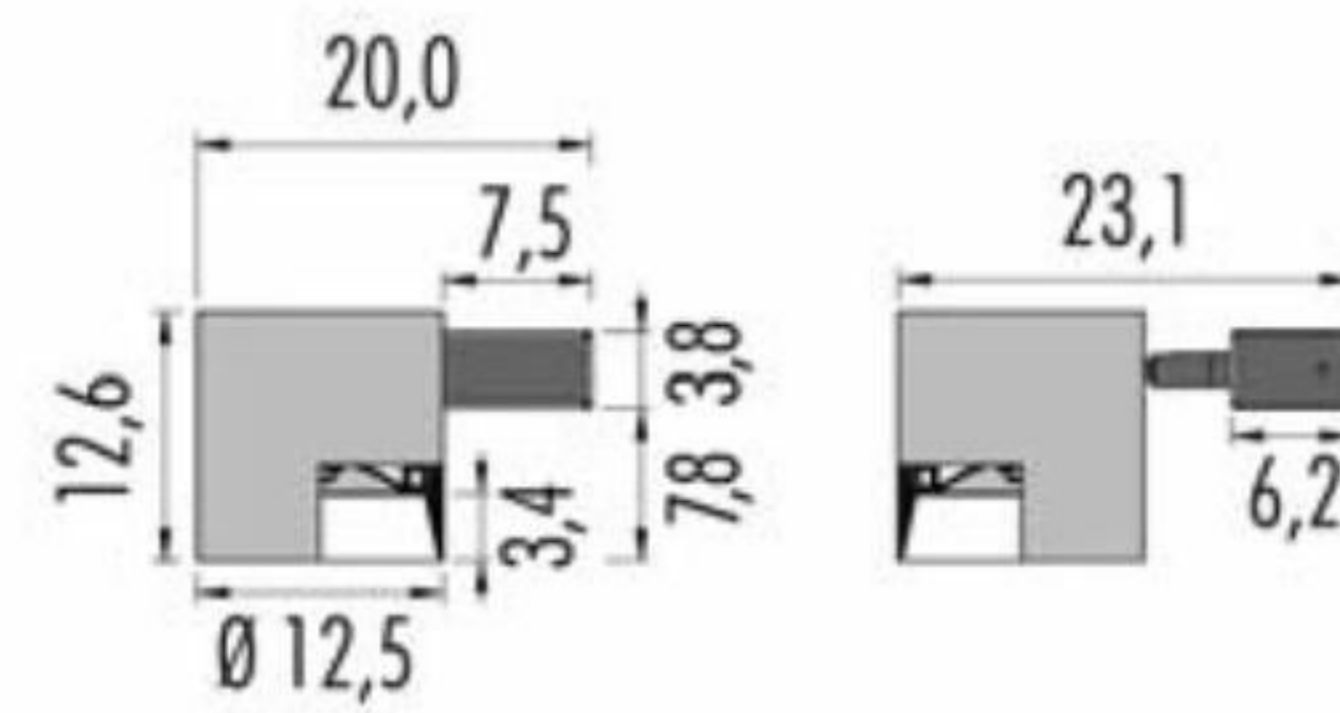
Installation kit on beams and horizontal surfaces
Kit di montaggio su travi o piani orizzontali

1KIT.P136.□



Pop 13 Ø 12,5

wall/ceiling - parete/plafone



- Frame - Struttura
- 02 Black - Nero
- 06 White - Bianco

IP20 © CE MC-E=3

220-240V **12,5W** CRI>90

3P13.4 on/off

3P13A4 DALI

3P13G4 Push - 1...10V

Led color	Nominal lm	Beam spread
2 = 2700K	1477	L = 60°
3 = 3000K	1565	S = 24°
4 = 4000K	1635	T = 12°

IP20 © CE MC-E=3

220-240V **18,5W** CRI>90

3P13.5 on/off

3P13A5 DALI

3P13G5 Push - 1...10V

Led color	Nominal lm	Beam spread
2 = 2700K	2020	L = 60°
3 = 3000K	2140	S = 24°
4 = 4000K	2236	T = 12°

IP20 © CE MC-E=3

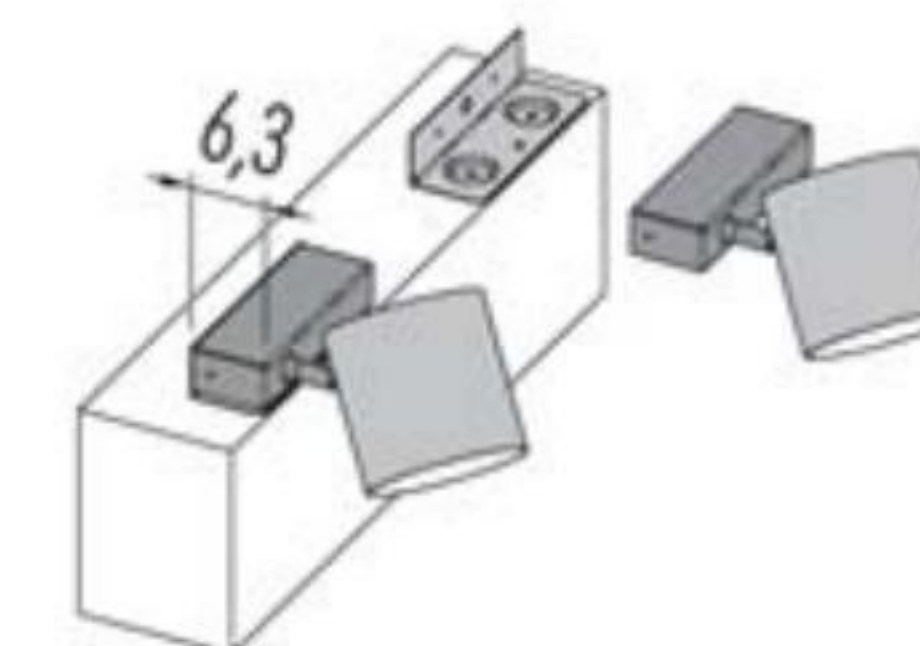
220-240V **27W** CRI>90

3P13.6 on/off

3P13E6 DALI - Push

3P13C6 1...10V

Led color	Nominal lm	Beam spread
2 = 2700K	2683	L = 60°
3 = 3000K	2842	S = 24°
4 = 4000K	2963	T = 12°



Installation kit on beams and horizontal surfaces
Kit di montaggio su travi o piani orizzontali

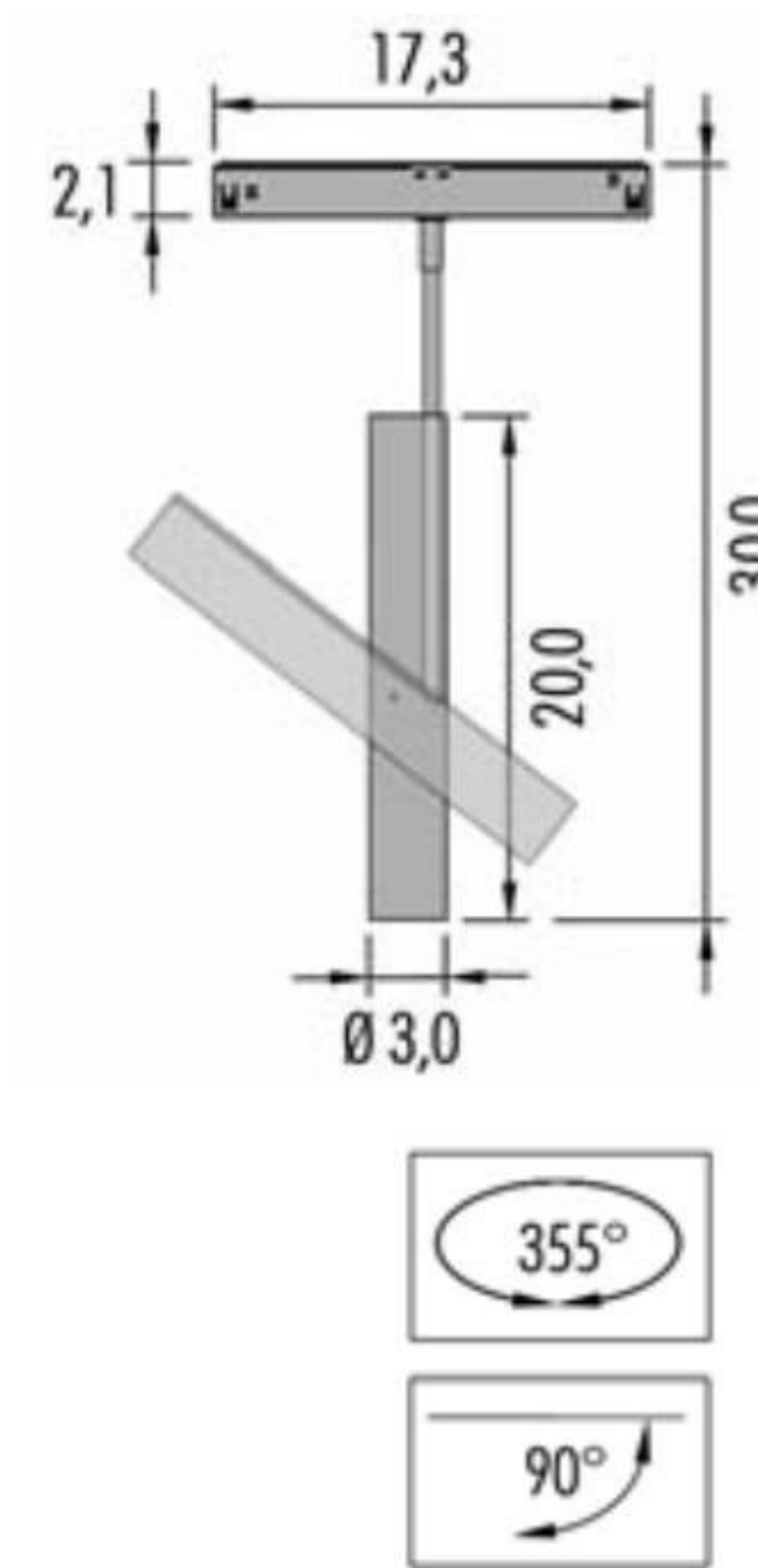
1KIT.P136.



Pop P15 Ø 3,0 X-Rail: magnet track system 48V
X-Rail: sistema a binario magnetico 48V



Pop P15 Ø 3,0 X-Rail: magnet track system 48V
X-Rail: sistema a binario magnetico 48V



IP20	MC-E=3	CE	LED 8,0W	CRI>95
48V				
3P15.02	S. □		on/off	
4P15.02	S. □		on/off	
<i>With honeycomb - Con frangiluce</i>				
3P15.G2	S. □		dimmable	
4P15.G2	S. □		dimmable	
<i>With honeycomb - Con frangiluce</i>				
■ Led color	Nominal lm	▲ Beam spread		
2 = 2700K	715	24°		
3 = 3000K	767			
4 = 4000K	832			

Attention, before ordering the item:

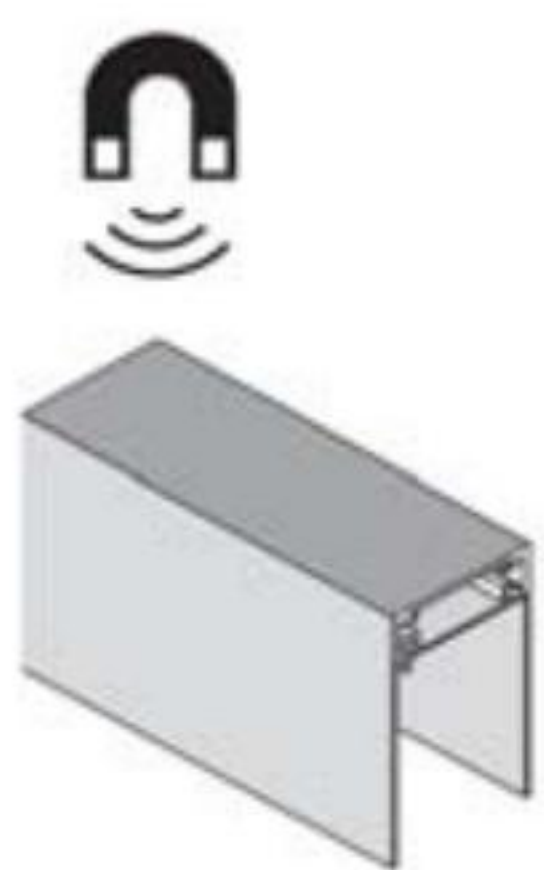
- 1- Choose the appropriate 48V devices (100-150-240W), paying attention to the drop voltage table;
- 2- If you need to dim the light, choose the two options:
 - a. by a Master DALI (item not supplied by Oty);
 - b. by our dimming device 3KIT.607.DIM.
- 3- All our items are "Noise Free" dimming if installed as explained on the "devices installation scheme".

Attenzione, prima di ordinare l'articolo:

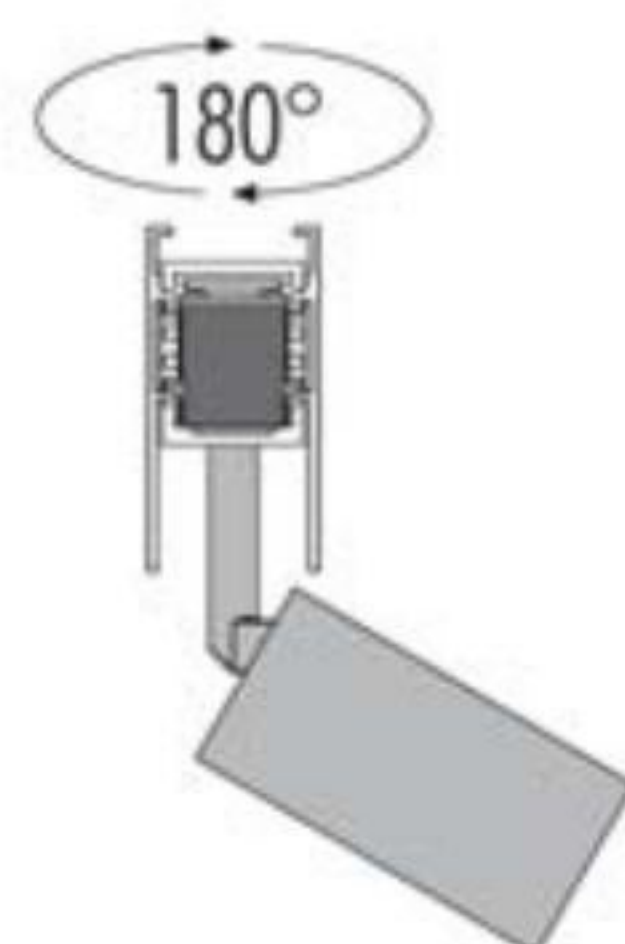
- 1- scegliere il trasformatore 48V adeguato (100-150-240W) prestando attenzione alla tabella di caduta tensione;
- 2- per dimmerare la luce, scegliere una delle due opzioni:
 - a. tramite Master Dali (articolo non fornito da Oty srl);
 - b. tramite il nostro dispositivo 3KIT.607.DIM
- 3- Tutti i ns. articoli sono dimmerabili "Noise Free" se installati come da schema di cablaggio.

□	Frame - Struttura
02 ●	Black - Nero
06 ○	White - Bianco

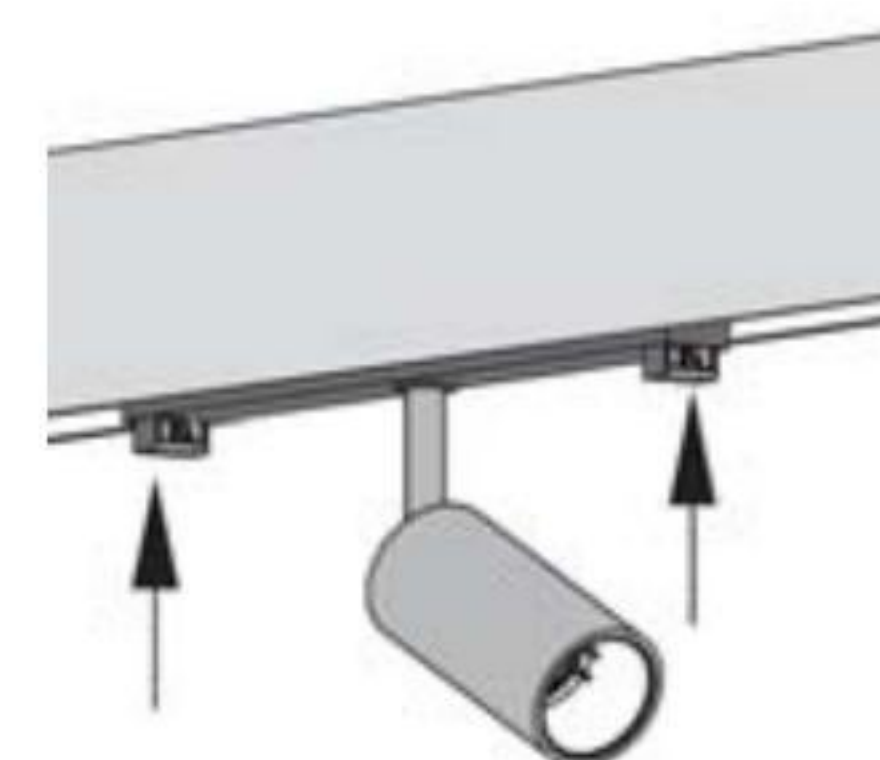
Magnet system
Sistema magnetico



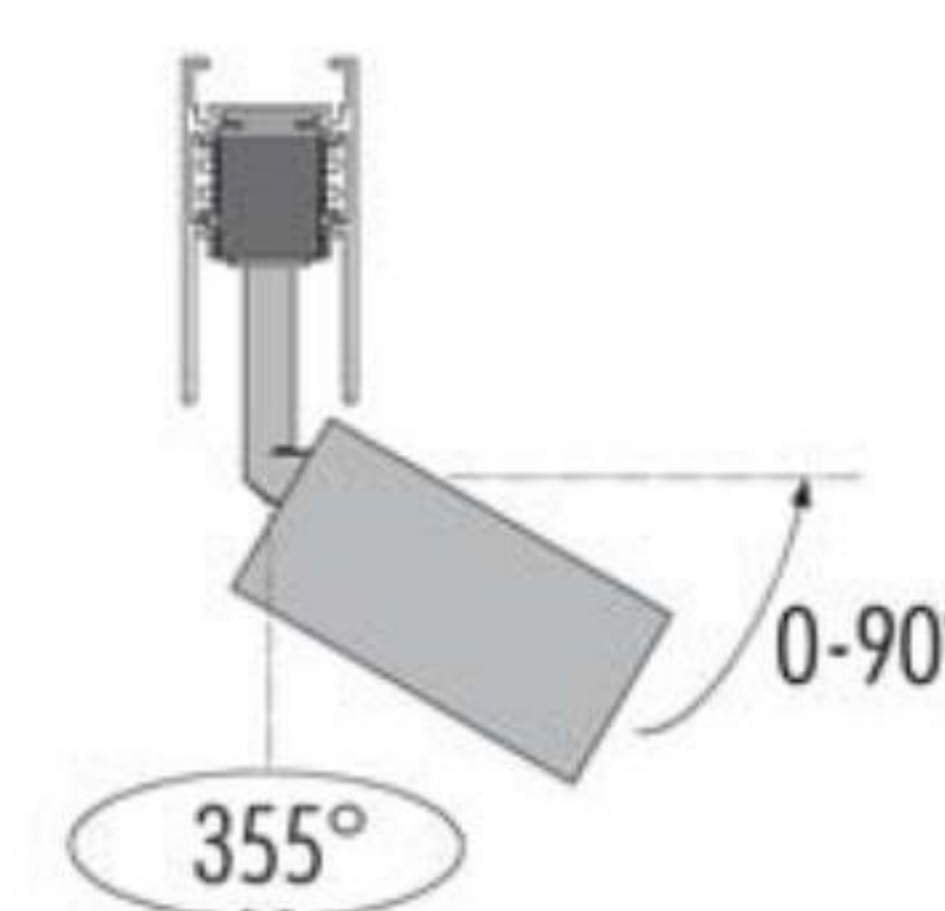
Bidirectional installation
Installazione bidirezionale



Click&Safety Lock
Fissaggio meccanico di sicurezza

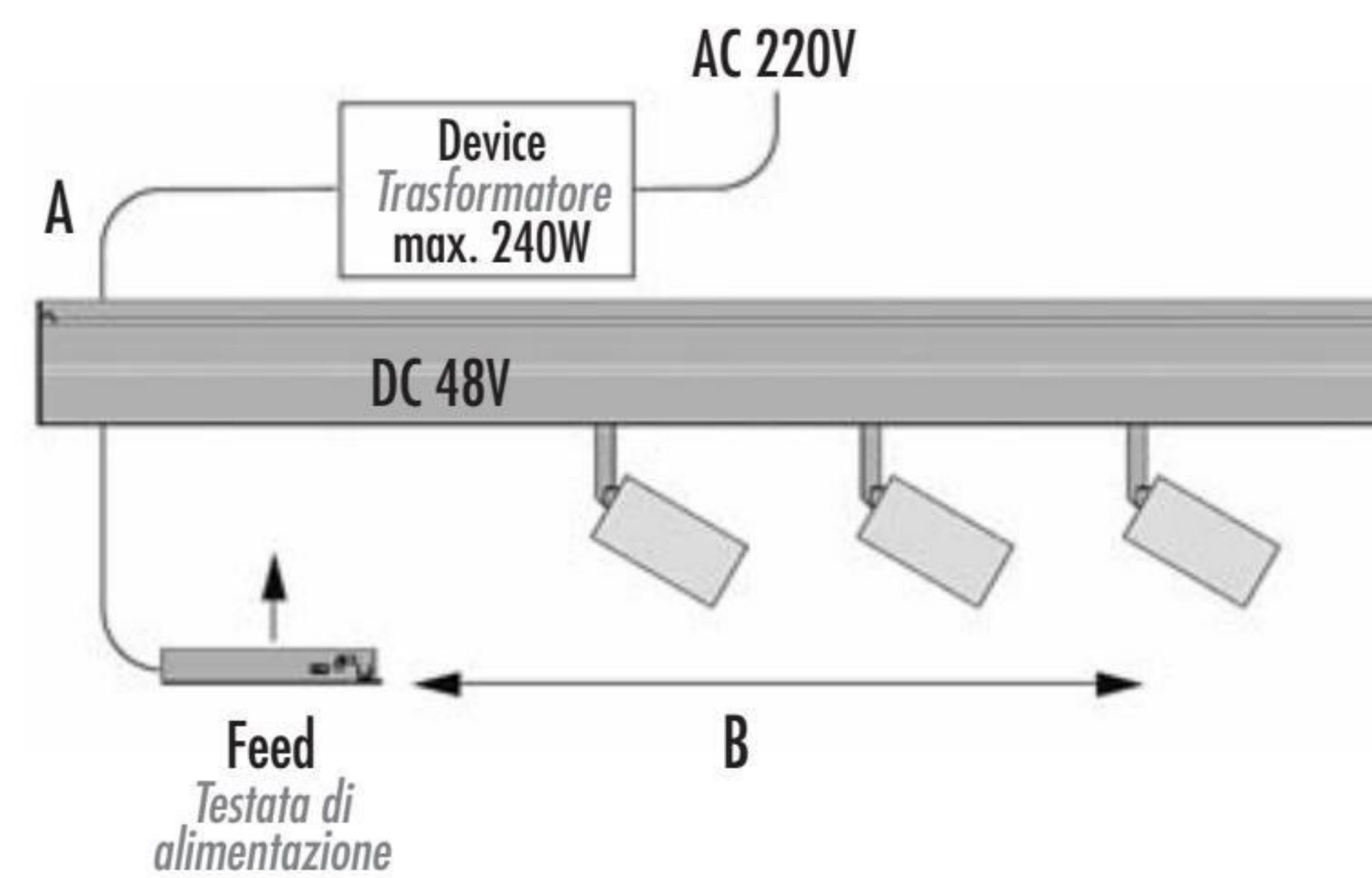


Adjustable
Orientabile



WiFi Technology by App
Tecnologia WiFi tramite App





(A) Distance Device/Feed Unit
 (A) Distanza dal trasformatore alla testata di alimentazione.
 (B) Distance Feed Unit/Spot
 (B) Distanza dalla testata di alimentazione all'ultimo articolo.

Drop voltage table - Tabella caduta di tensione

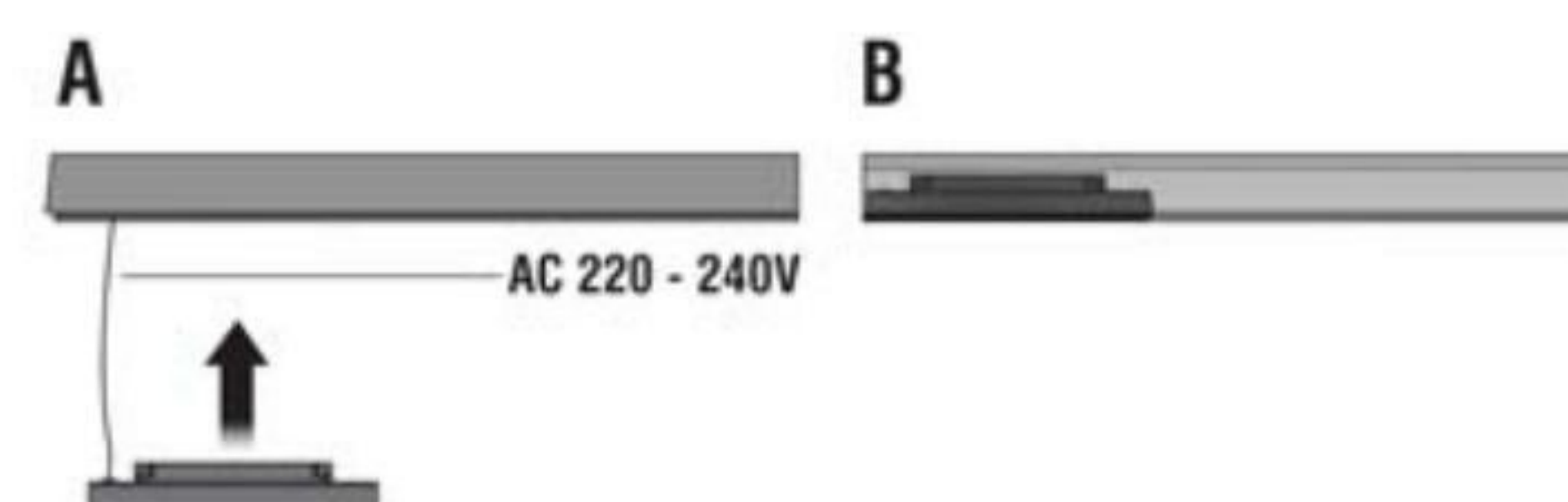
Device	(A)	5 mt.	10 mt.	20 mt.	30 mt.
100W	(B)	50 mt.	50 mt.	30 mt.	10 mt.
150W	(B)	20 mt.	15 mt.	5 mt.	—
240W	(B)	15 mt.	10 mt.	—	—

Technical characteristics of the devices for 48V Track - Caratteristiche tecniche dei dispositivi per binario 48V

Code ①	W	Size (mm)	CV	Connectable fixtures	Max distance	Cable section	Tech. Info
3KIT.048.100	100	199x63x36	48V	Max: 70W	See chart here above	2.5mm ²	100-305V 47~63Hz
3KIT.048.150	150	219x63x36	48V	Max: 105W	See chart here above	2.5mm ²	100-305V 47~63Hz
3KIT.048.245	240	244x71x38	48V	Max: 150W	See chart here above	2.5mm ²	100-305V 47~63Hz

Led warranty ONLY when used together with devices bought from Oty srl

I Led sono coperti da garanzia solo se utilizzati in abbinamento con i dispositivi acquistabili dalla Oty srl.



Technical characteristics of the devices for 48V Track Caratteristiche tecniche dei dispositivi per binario 48V

Code ①	W	Size	CV	Connectable fixtures
3KIT.048.060	60	242mm	48V	Max: 48W
Tech. Info	120-277V	47~63Hz		

WiFi device "Noise Free" to dim the light - Dispositivo dimmerabile WiFi "Noise Free"

Code	Size
3KIT.607.DIM	80x40x25mm

It works by WiFi with smart phone, Google Assistant or Amazon Alexa. App on request.

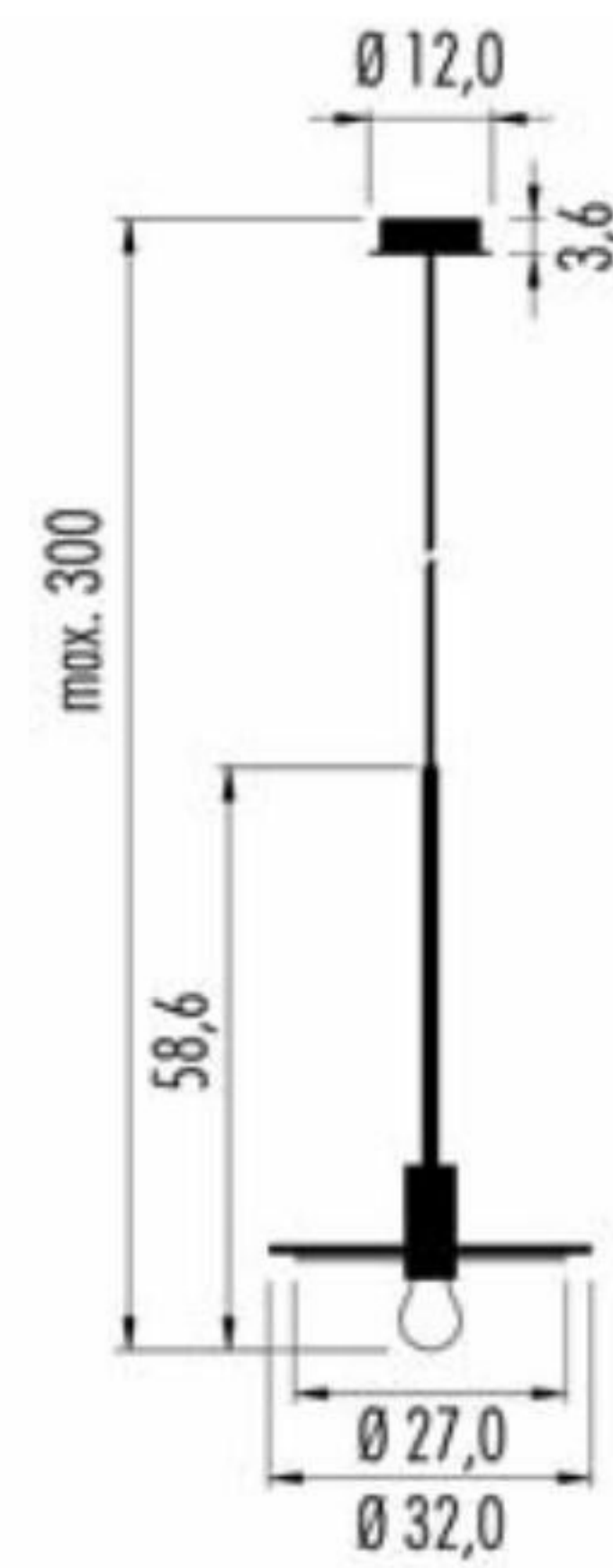
Il dispositivo lavora in WiFi tramite smartphone, con Assistente Google o Alexa Amazon. App su richiesta.



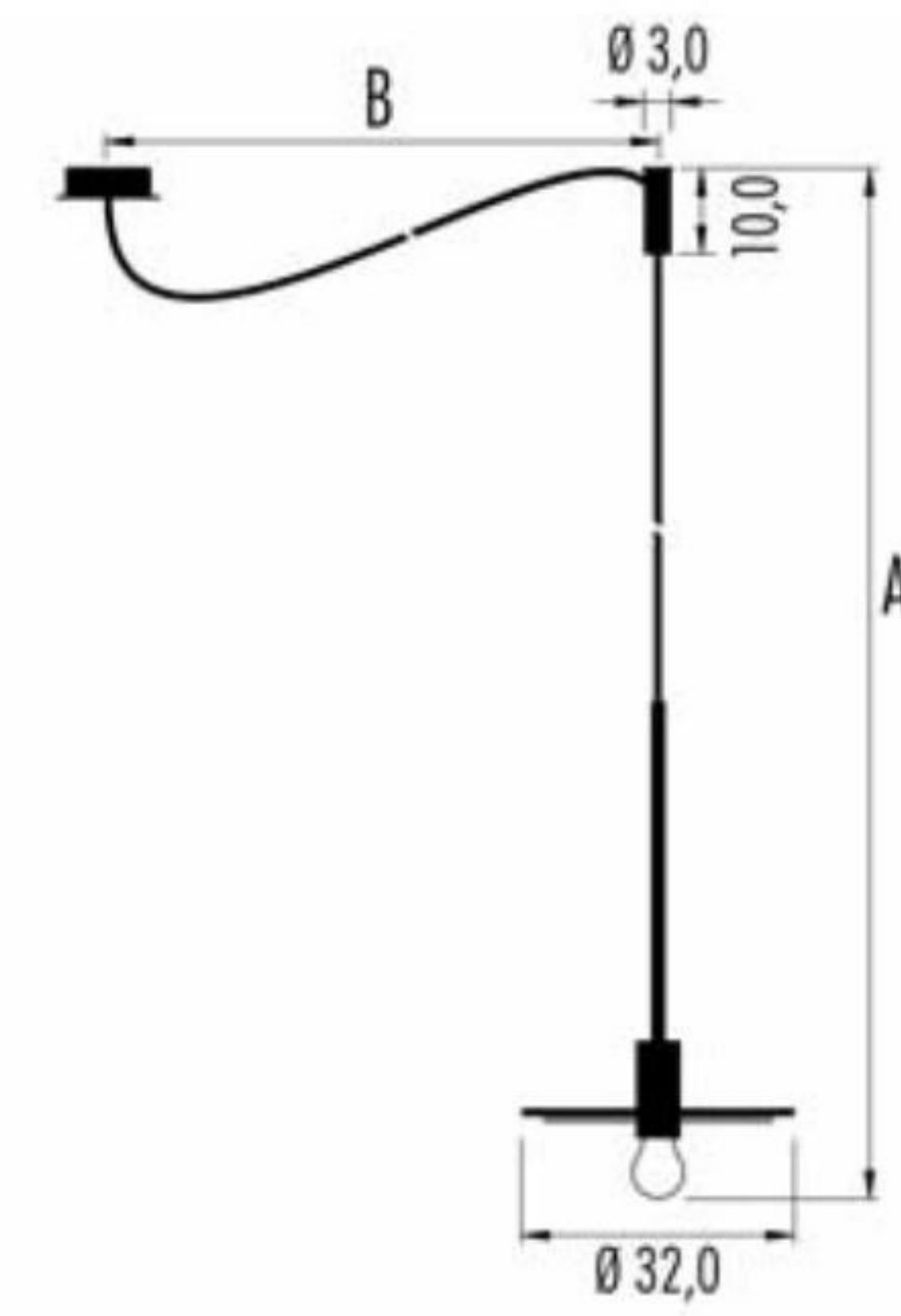
Pop Host Ø 32,0 Bi-color



Pop Host $\varnothing 32,0$ Bi-color



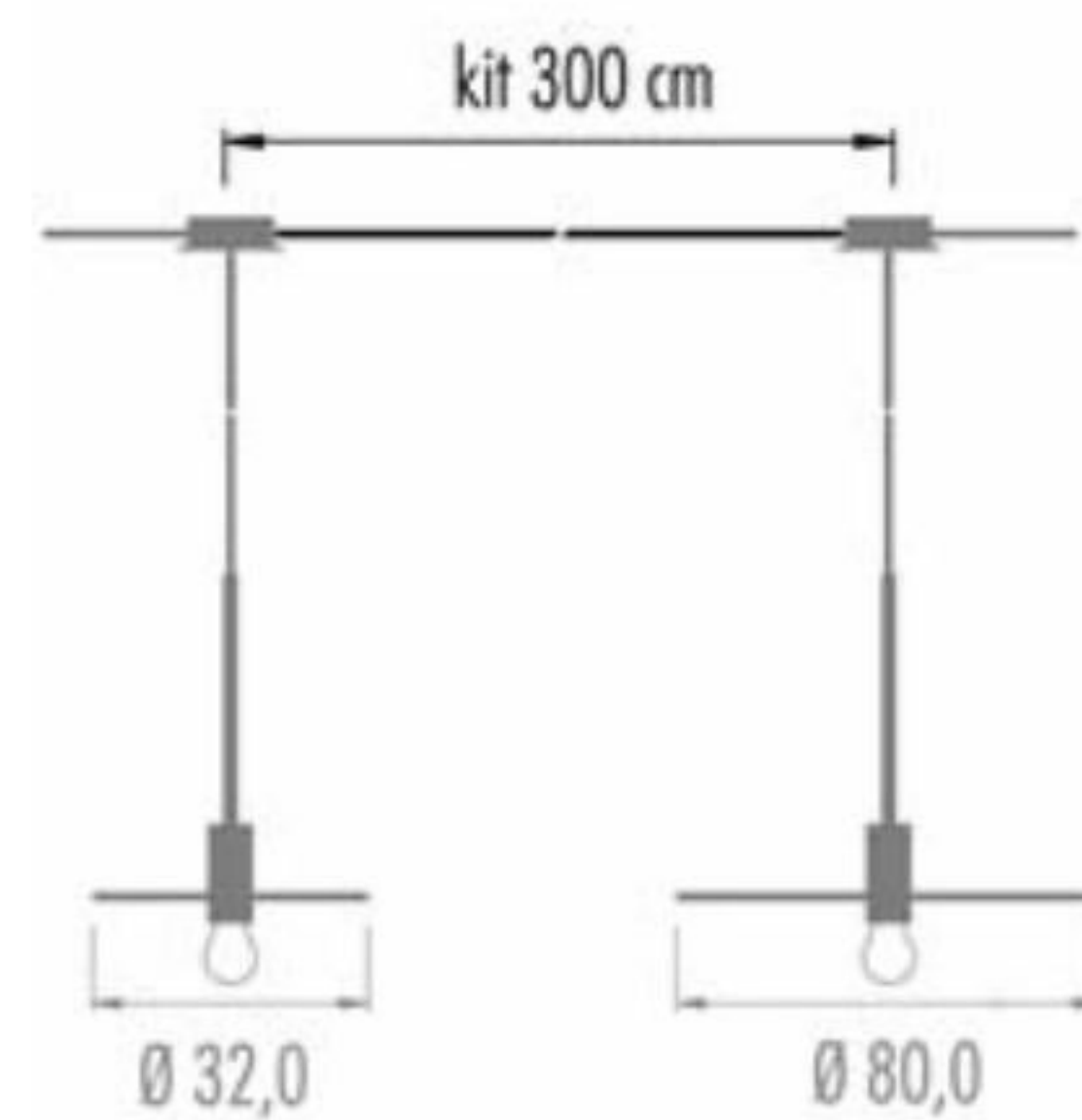
IP20	Ⓛ	CE	∇
220-240V	e27 7W	CRI>80	
3H32C.12L.	□	dim. IGBT - Triac	
Led color	Nominal lm	Beam spread	
2700K	806	180°	



IP20	Ⓛ	A+B=390cm	CE	∇
220-240V	e27 7W	CRI>80		
3H32D.12L.	□	dim. IGBT - Triac		
Led color	Nominal lm	Beam spread		
2700K	806	180°		

□	Up	Down	Diffuser color - Colore diffusore	CUP - Rosone
KS	●	●	Black/Brass - Nero/Ottone	Black - Nero
WS	○	●	White/Brass - Bianco/Ottone	White - Bianco
BS	●	●	Blue/Brass - Blu/Ottone	Blue - Blu
GS	●	●	Green/Brass - Verde/Ottone	Green - Verde
PS	●	●	Rose/Brass - Rosa/Ottone	Rose - Rosa
RS	●	●	Red/Brass - Rosso/Ottone	Red - Rosso

Wire/Cavo:
Brass - Ottone
Bulb/Lampadina:
Mirror Brass - Specchiata ottone

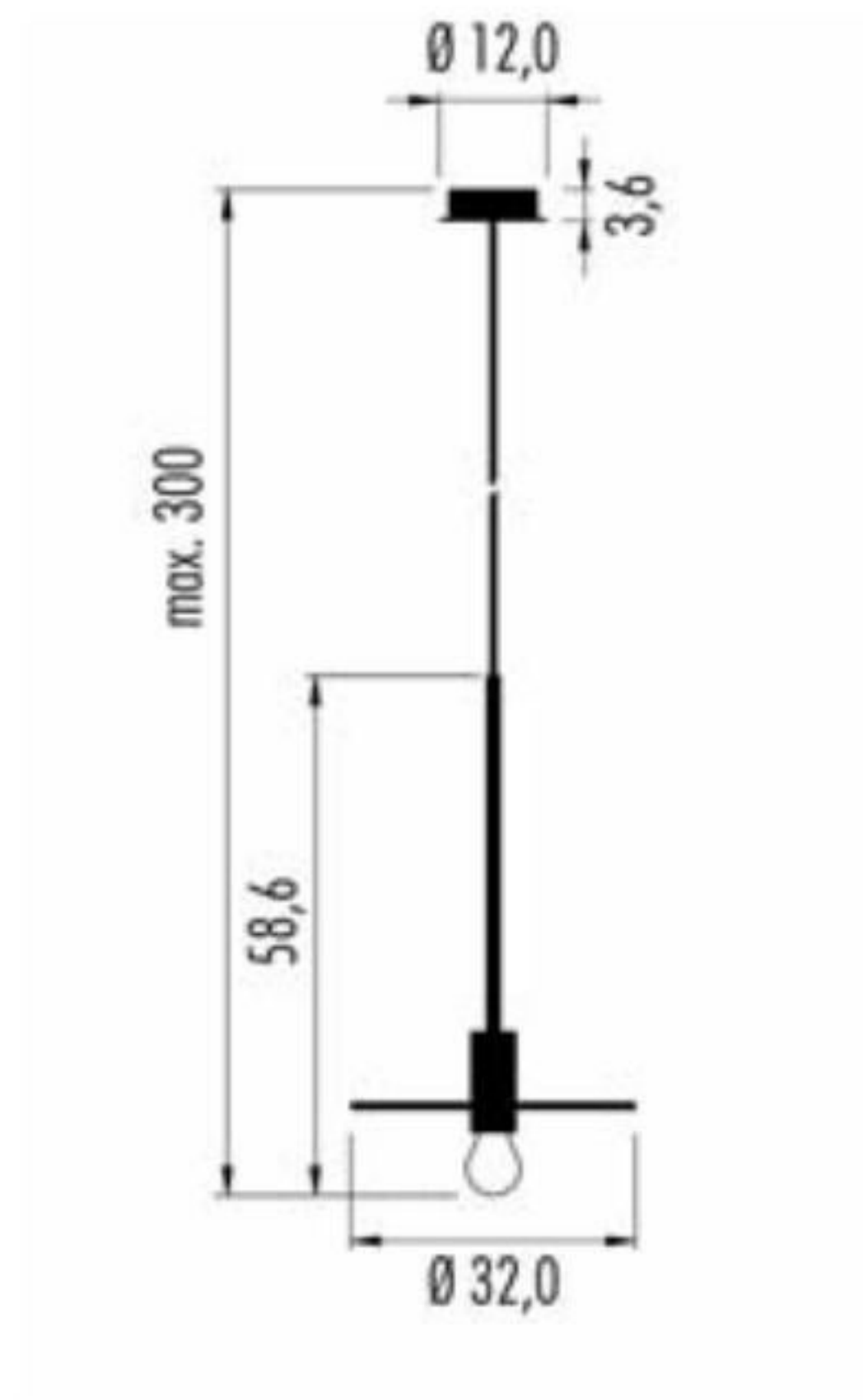


Kit Cable for Host composition	
1KIT.300.S	Brass - Ottone

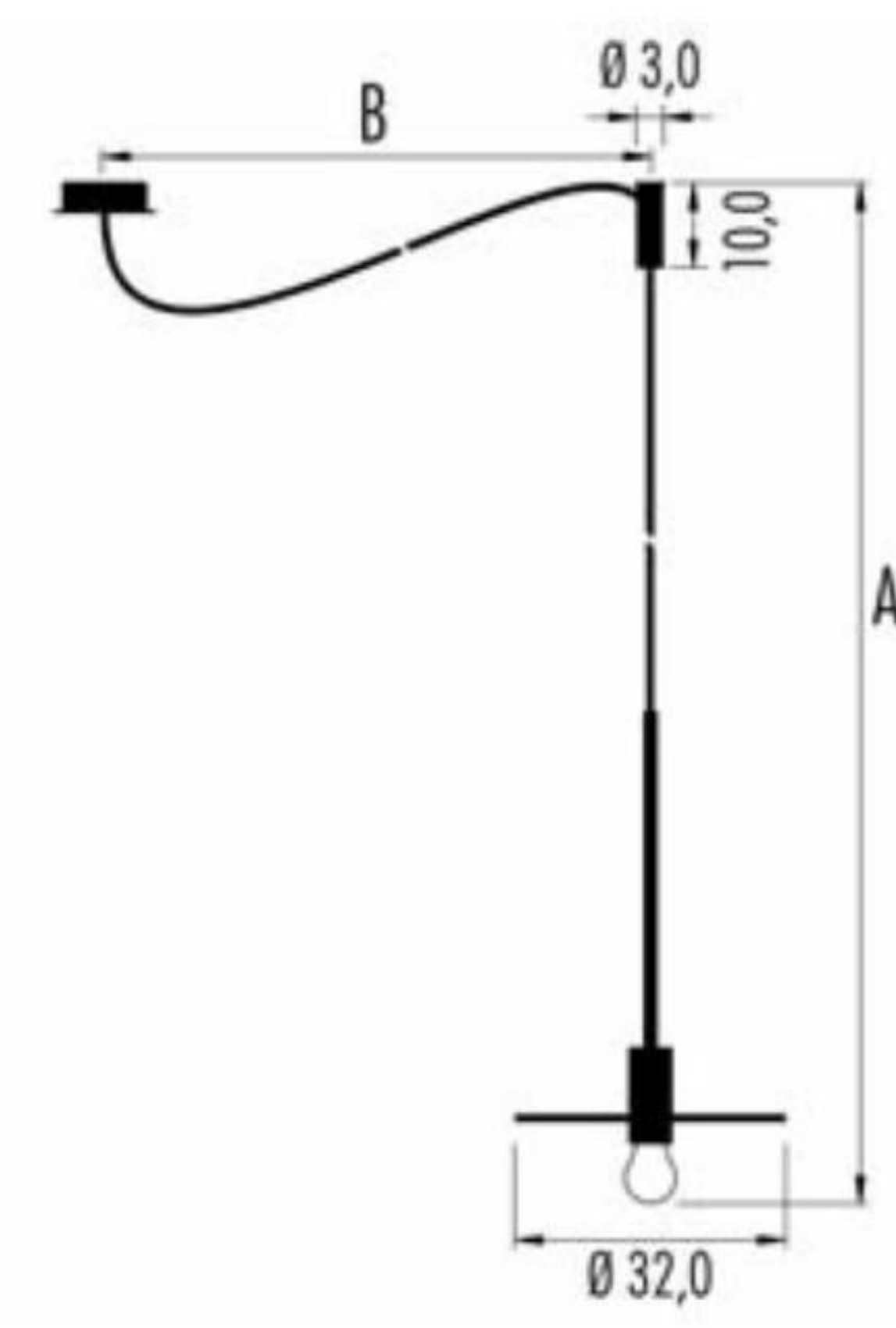


ART
CHANEL
TICKET
THE ART BOOK HOUSE
DOODLES
BY VANDER
TURKISH STYLE
FRENCH DESIGN
BY VANDER

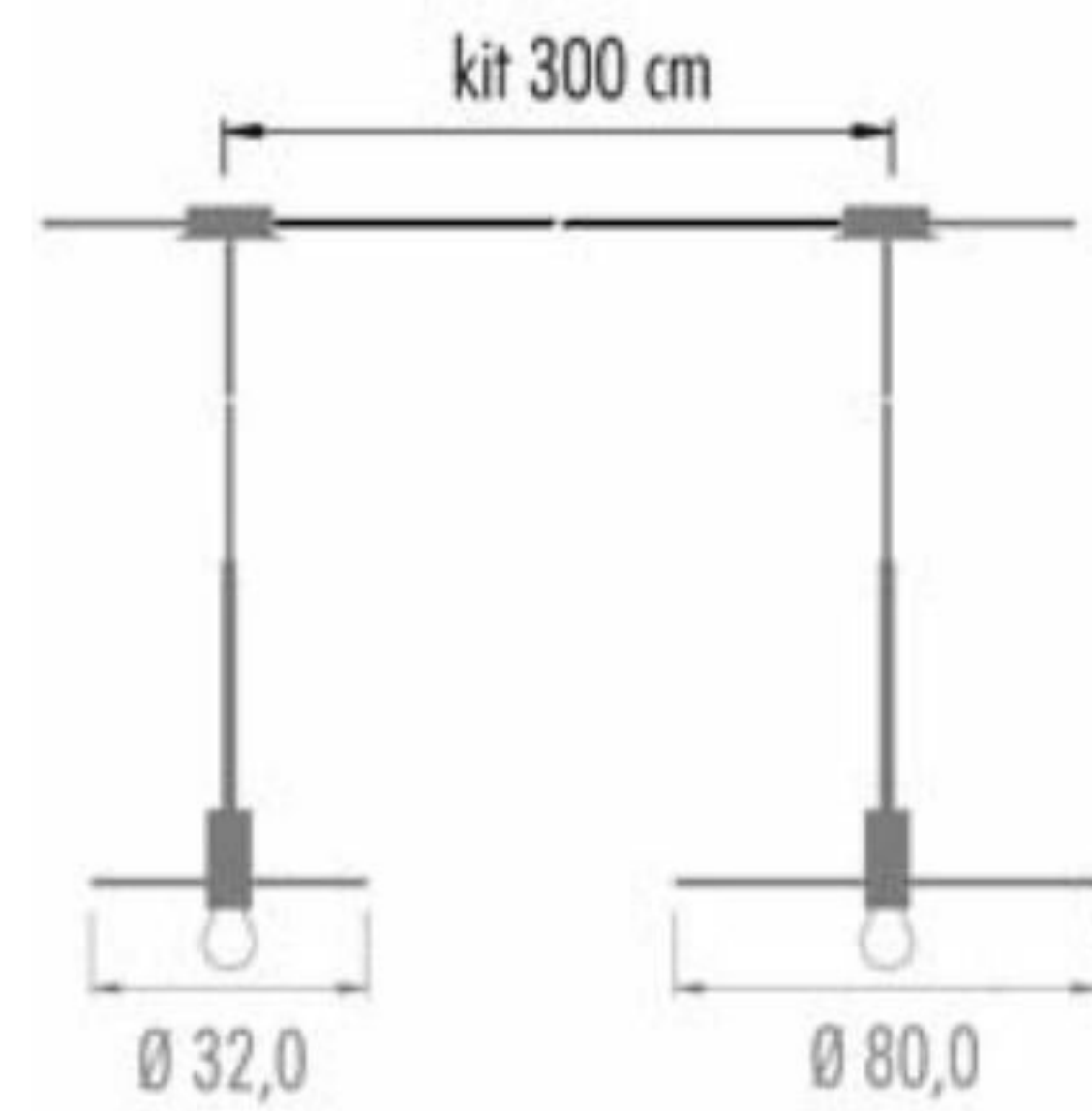
Pop Host $\varnothing 32,0$ Mono-color



IP20	Ⓛ	CE	∇
220-240V	e27 7W	CRI>80	
3H32C.12L.06	dim. IGBT - Triac		
Led color	Nominal lm	Beam spread	
2700K	806	180°	



IP20	Ⓛ	A+B=390cm	CE	∇
220-240V	e27 7W	CRI>80		
3H32D.12L.06	dim. IGBT - Triac			
Led color	Nominal lm	Beam spread		
2700K	806	180°		



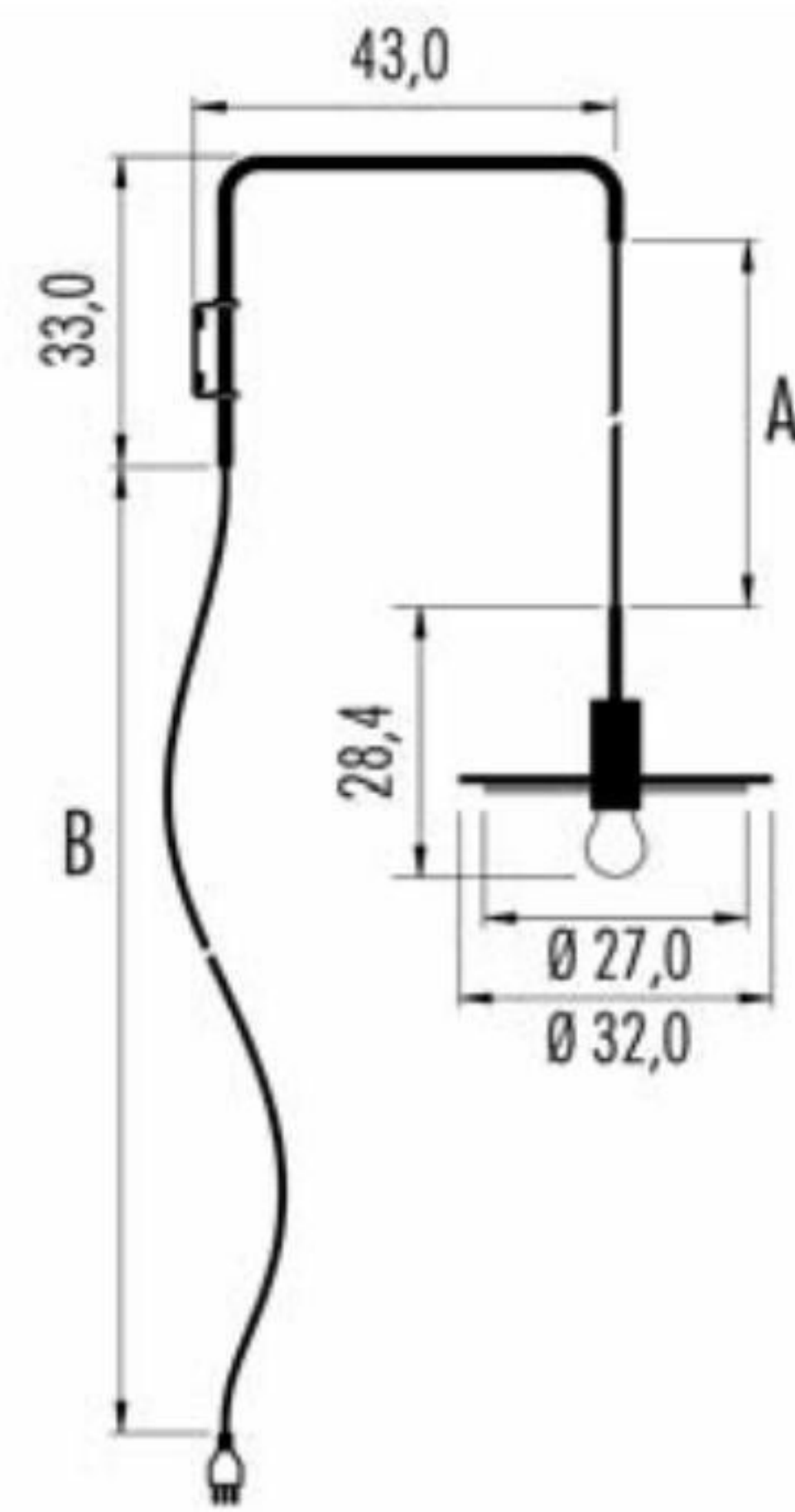
Kit Cable for Host composition

1KIT.300.06 White

Canopy/Rosone:
White - Bianco
Wire/Cavo:
White - Bianco
Bulb/Lampadina:
Mirror chrome - Specchiata cromo

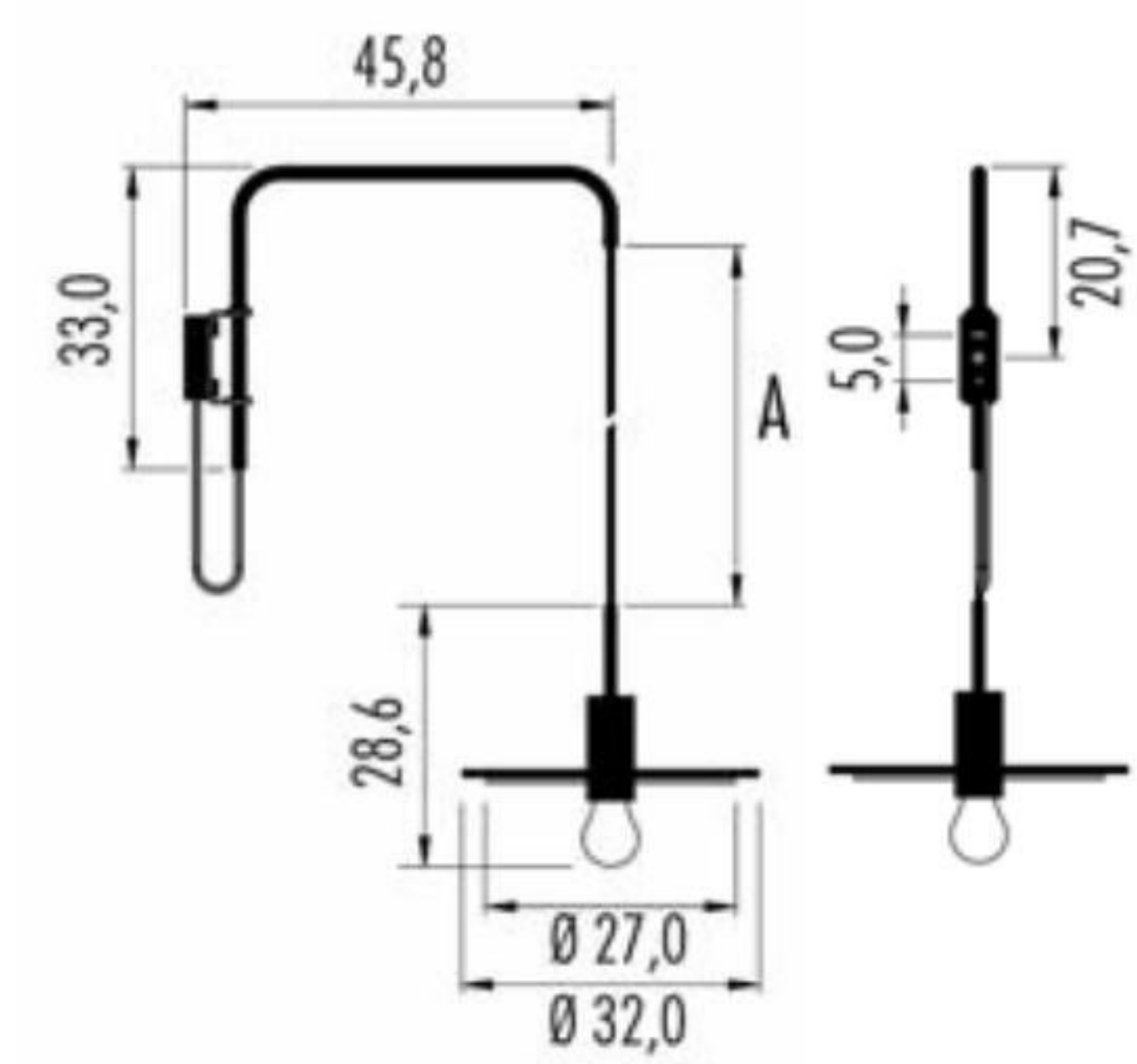


Pop Host T *Bi-color*



IP20	Ⓛ	A+B=360cm	CE	▽
220-240V		e27 7W	CRI>80	
3H32T.12L.	□	dim. IGBT - Triac		
<i>Led color</i>		<i>Nominal lm</i>	<i>Beam spread</i>	
2700K		806	180°	

Pop Host N *Bi-color*



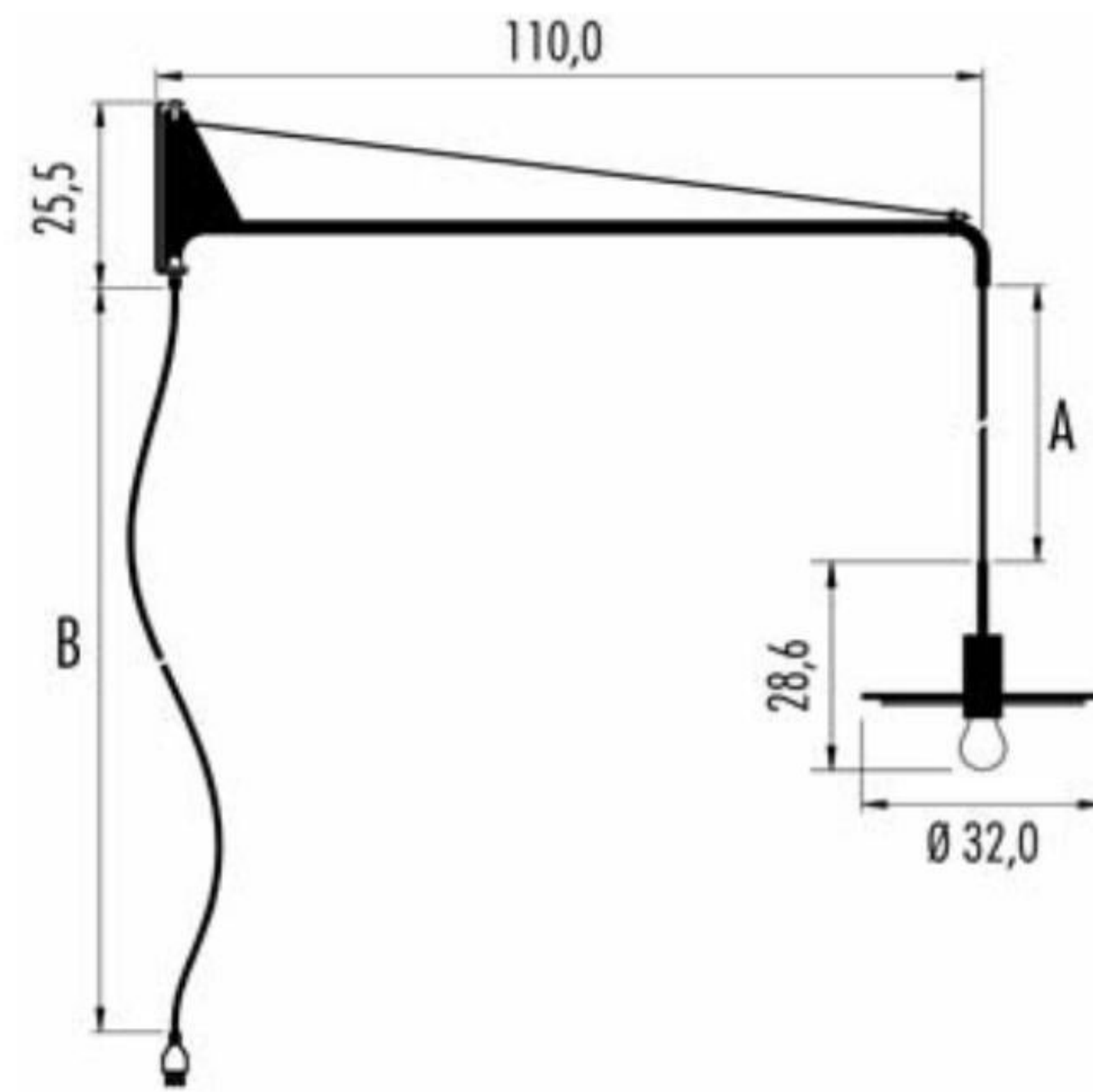
IP20	Ⓛ	A= max. 140cm	CE	▽
220-240V		e27 7W	CRI>80	
3H32N.12L.	□	dim. IGBT - Triac		
<i>Led color</i>		<i>Nominal lm</i>	<i>Beam spread</i>	
2700K		806	180°	

□	Up	Down	Diffuser color - Diffusore
KS	●	●	Black/Brass - Nero/Ottone
WS	○	●	White/Brass - Bianco/Ottone
BS	●	●	Blue/Brass - Blu/Ottone
GS	●	●	Green/Brass - Verde/Ottone
PS	●	●	Rose/Brass - Rosa/Ottone
RS	●	●	Red/Brass - Rosso/Ottone

Wire/Cavo:
Brass - Ottone
Bulb/Lampadina:
Mirror Brass - Specchiata Ottone

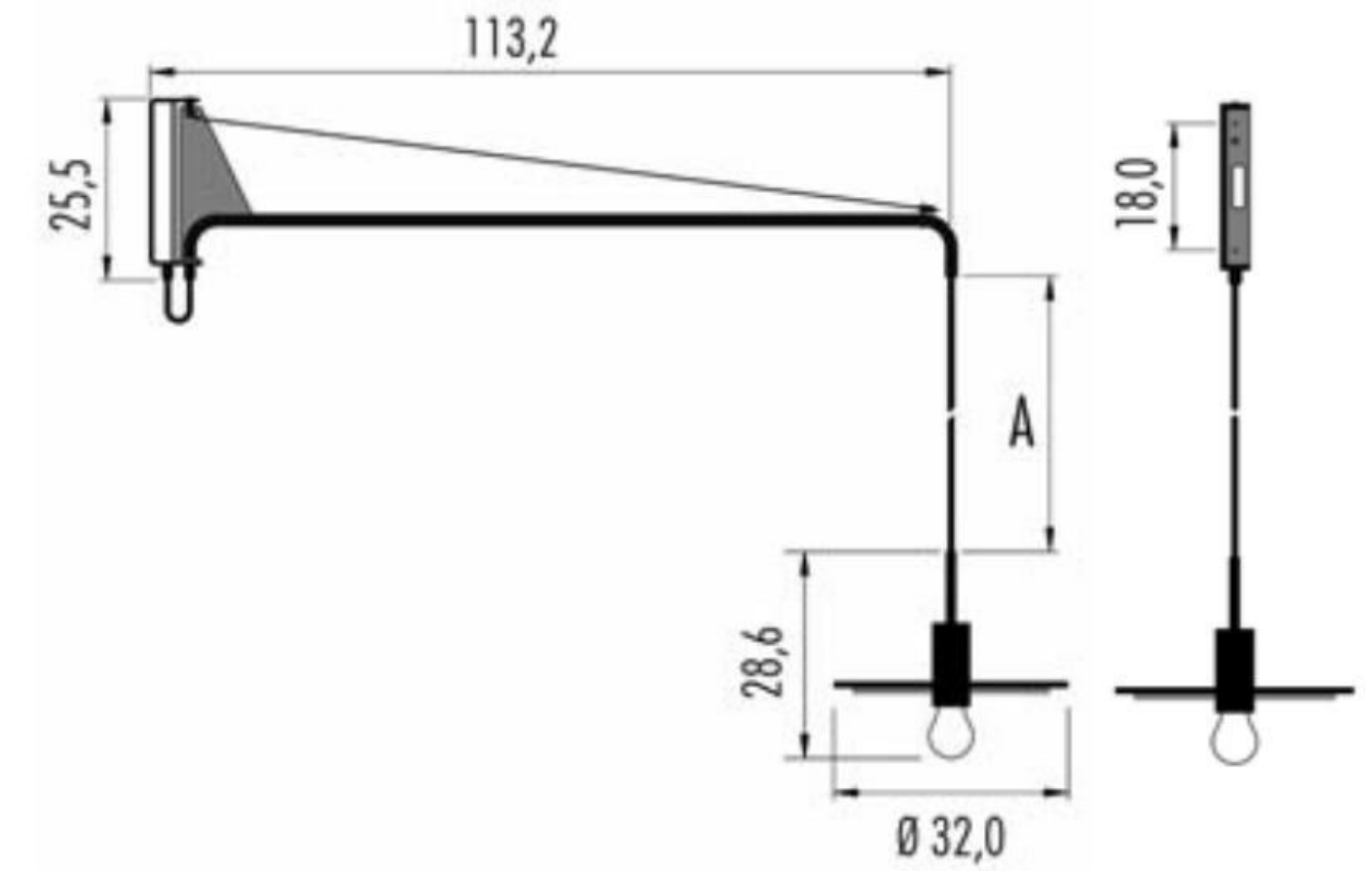


Pop Host L *Bi-color*



IP20	Ⓛ	A+B=300cm	CE	▽
220-240V		e27 7W		CRI>80
3H32L.12L.	□	dim. IGBT - Triac		
<i>Led color</i>		<i>Nominal lm</i>		<i>Beam spread</i>
2700K		806		180°

Pop Host M *Bi-color*



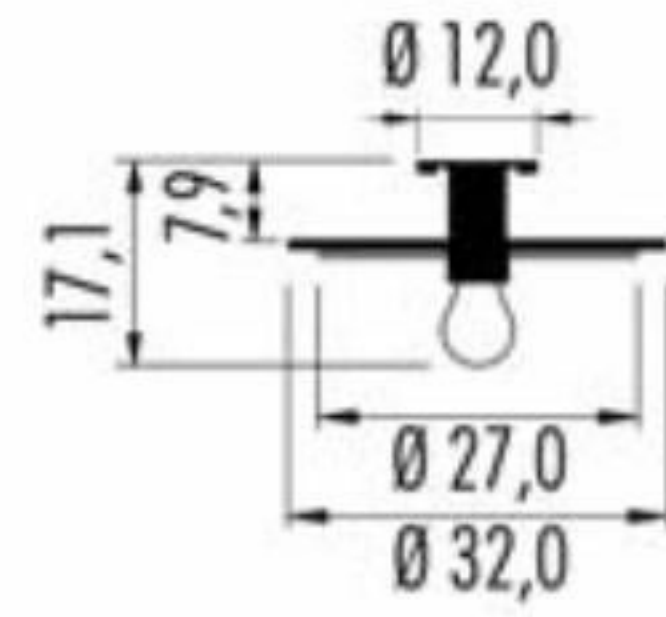
IP20	Ⓛ	A= max. 130cm	CE	▽
220-240V		e27 7W		CRI>80
3H32M.12L.	□	dim. IGBT - Triac		
<i>Led color</i>		<i>Nominal lm</i>		<i>Beam spread</i>
2700K		806		180°

□	Up	Down	Diffuser color - Diffusore
KS	●	●	Black/Brass - Nero/Ottone
WS	○	●	White/Brass - Bianco/Ottone
BS	●	●	Blue/Brass - Blu/Ottone
GS	●	●	Green/Brass - Verde/Ottone
PS	●	●	Rose/Brass - Rosa/Ottone
RS	●	●	Red/Brass - Rosso/Ottone

Wire/Cavo:
Brass - Ottone
Bulb/Lampadina:
Mirror Brass - Specchiata Ottone



Pop Host W Ø 32,0 Bi-color
 wall/ceiling - parete/plafone



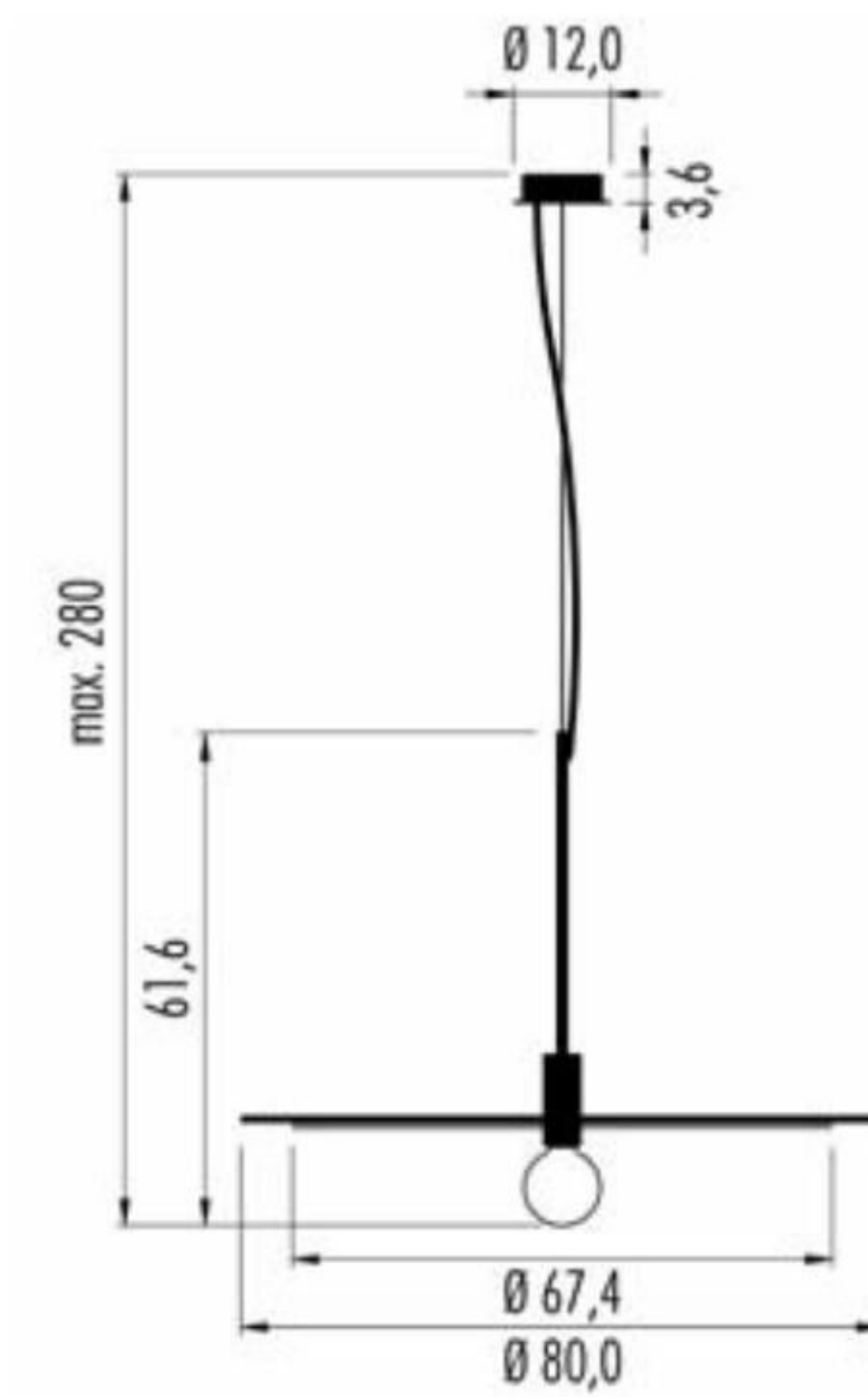
IP20	Ⓛ	CE	▽
220-240V	e27 7W	CRI>80	
3H32W.12L. □	dim. IGBT - Triac		
<i>Led color</i>	<i>Nominal lm</i>	<i>Beam spread</i>	
2700K	806	180°	

□	Up	Down	Diffuser color - Diffusore
KS	●	●	Black/Brass - Nero/Ottone
WS	○	●	White/Brass - Bianco/Ottone
BS	●	●	Blue/Brass - Blu/Ottone
GS	●	●	Green/Brass - Verde/Ottone
PS	●	●	Rose/Brass - Rosa/Ottone
RS	●	●	Red/Brass - Rosso/Ottone

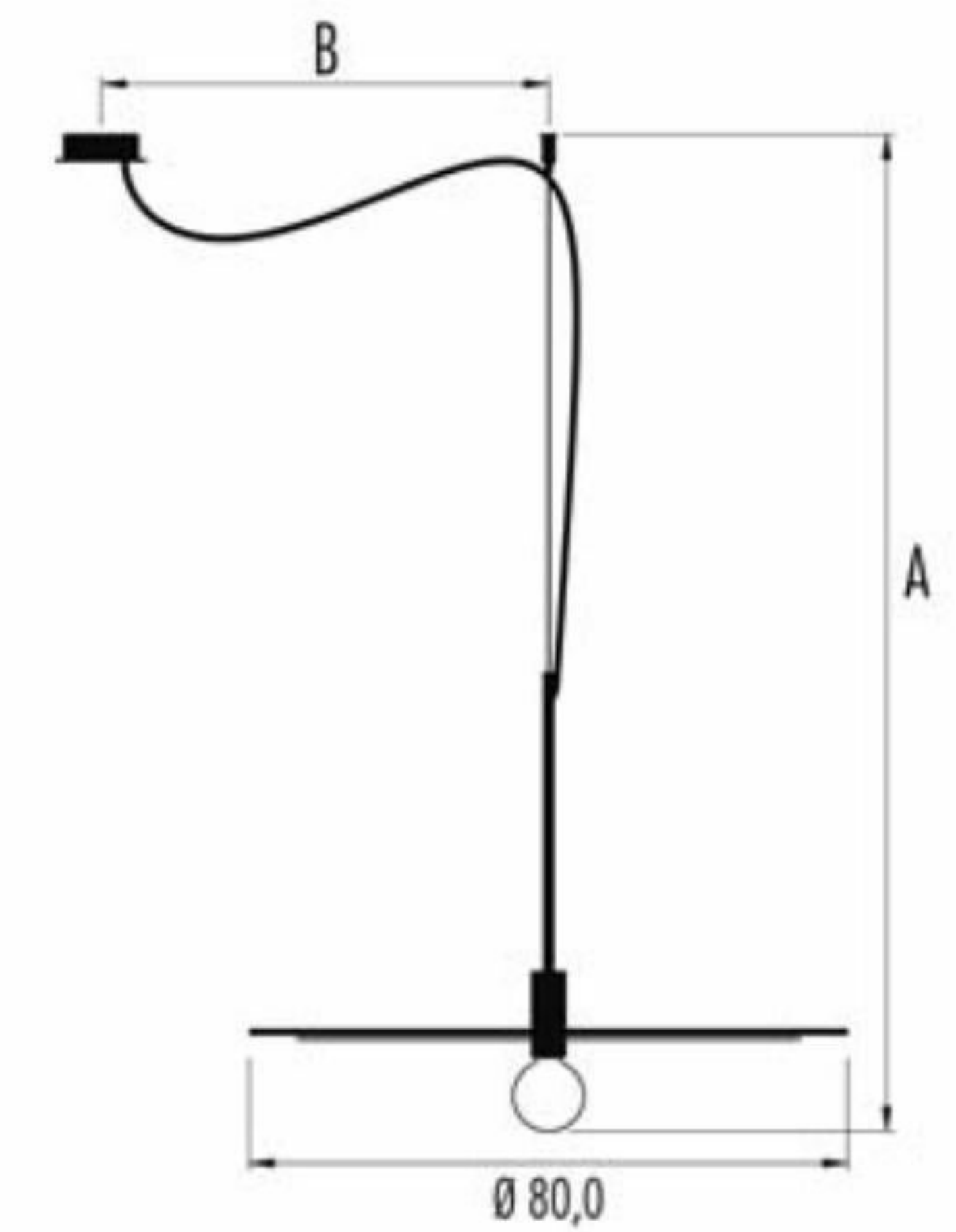
Bulb/Lampadina:
 Mirror Brass - Specchiata Ottone



Pop Host Ø 80,0 Bi-color



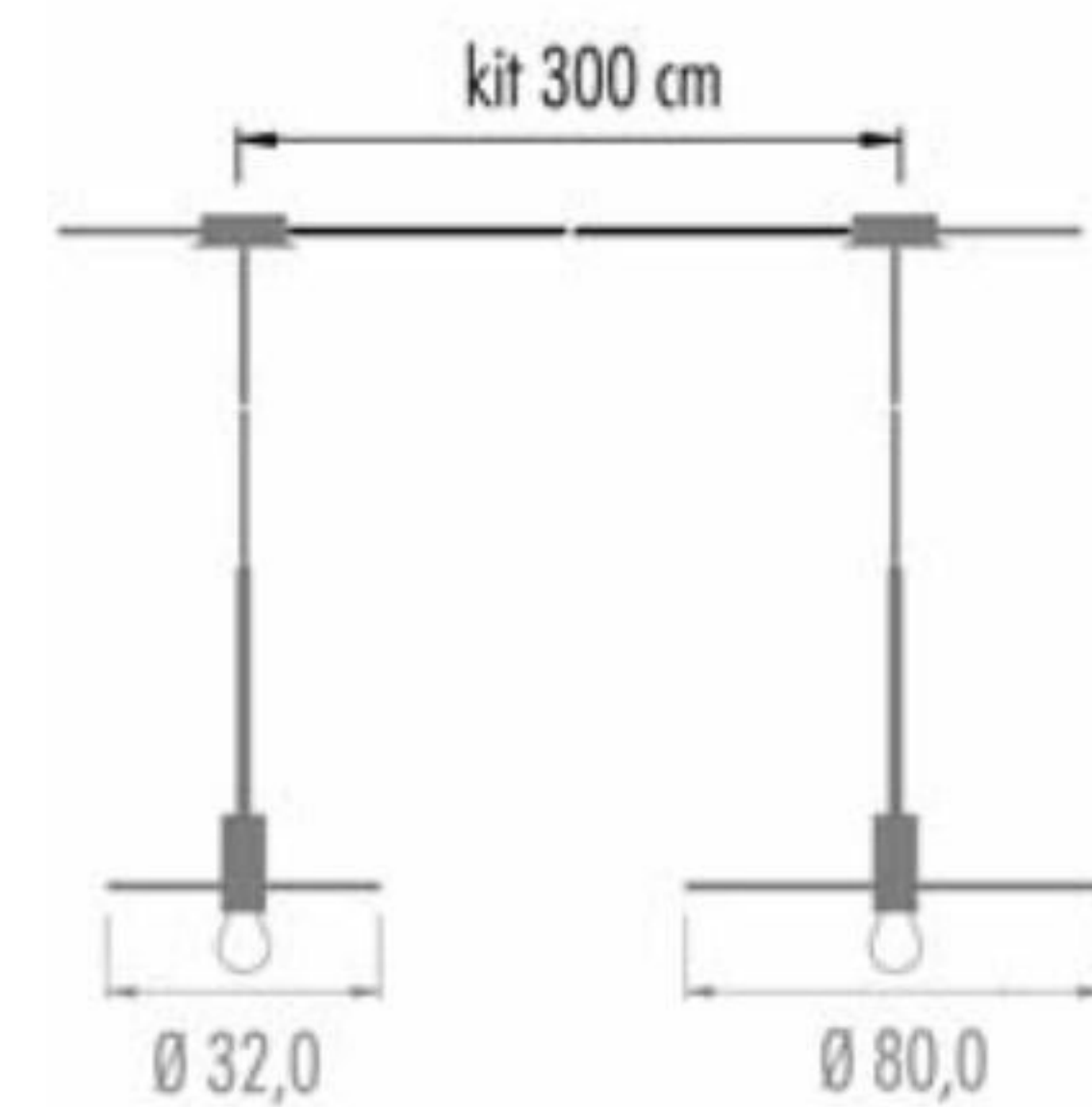
IP20	Ⓛ	CE	▽
220-240V	e27 7W	CRI>80	
3H80C.12L.	□	dim. IGBT - Triac	
Led color	Nominal lm	Beam spread	
2700K	806	180°	



IP20	Ⓛ	A+B=390cm	CE	▽
220-240V	e27 7W	CRI>80		
3H80D.12L.	□	dim. IGBT - Triac		
Led color	Nominal lm	Beam spread		
2700K	806	180°		

□	Up	Down	Diffuser color - Colore diffusore	CUP - Rosone
KS	●	●	Black/Brass - Nero/Ottone	Black - Nero
WS	○	●	White/Brass - Bianco/Ottone	White - Bianco
BS	●	●	Blue/Brass - Blu/Ottone	Blue - Blu
GS	●	●	Green/Brass - Verde/Ottone	Green - Verde
PS	●	●	Rose/Brass - Rosa/Ottone	Rose - Rosa
RS	●	●	Red/Brass - Rosso/Ottone	Red - Rosso

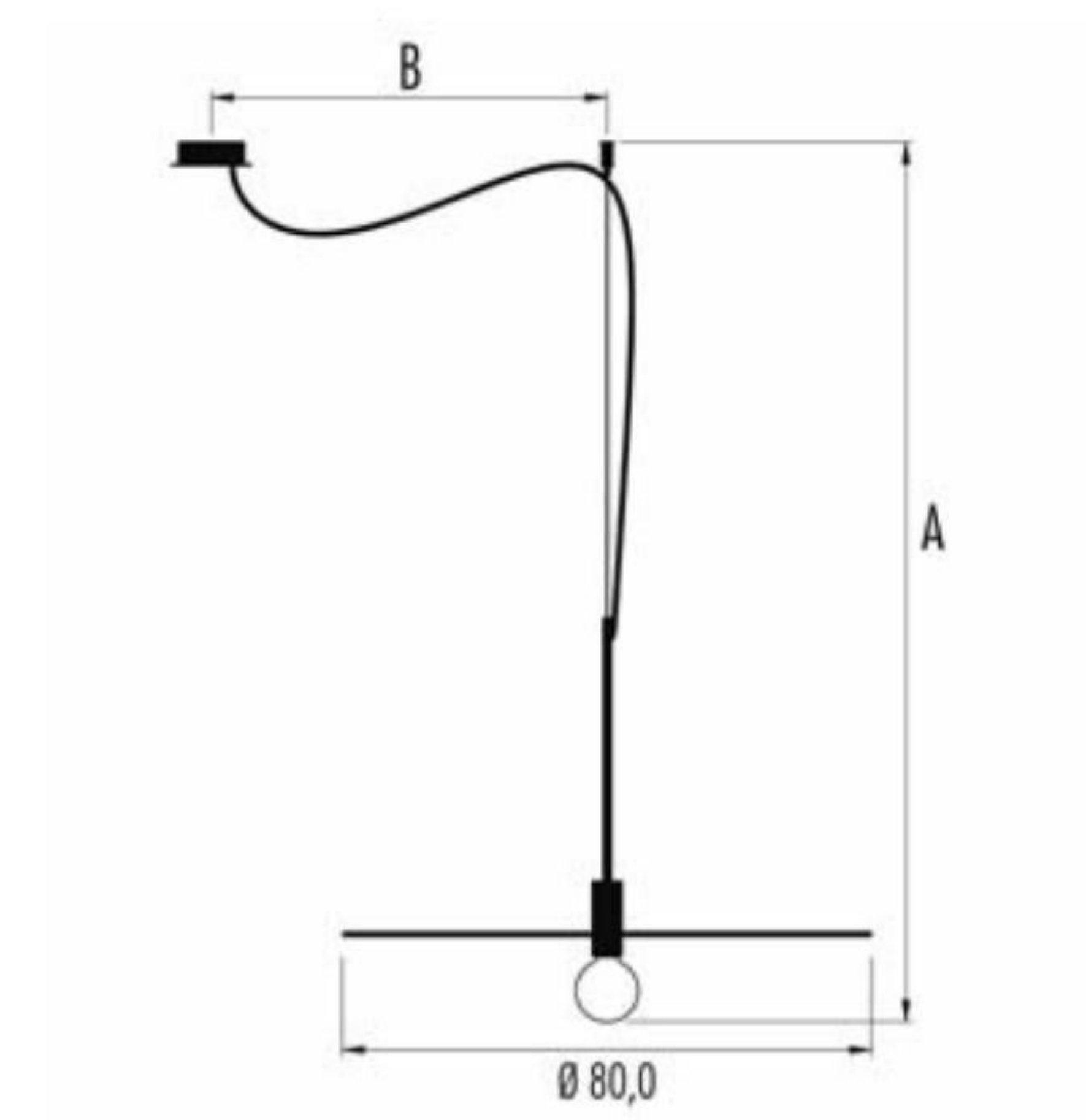
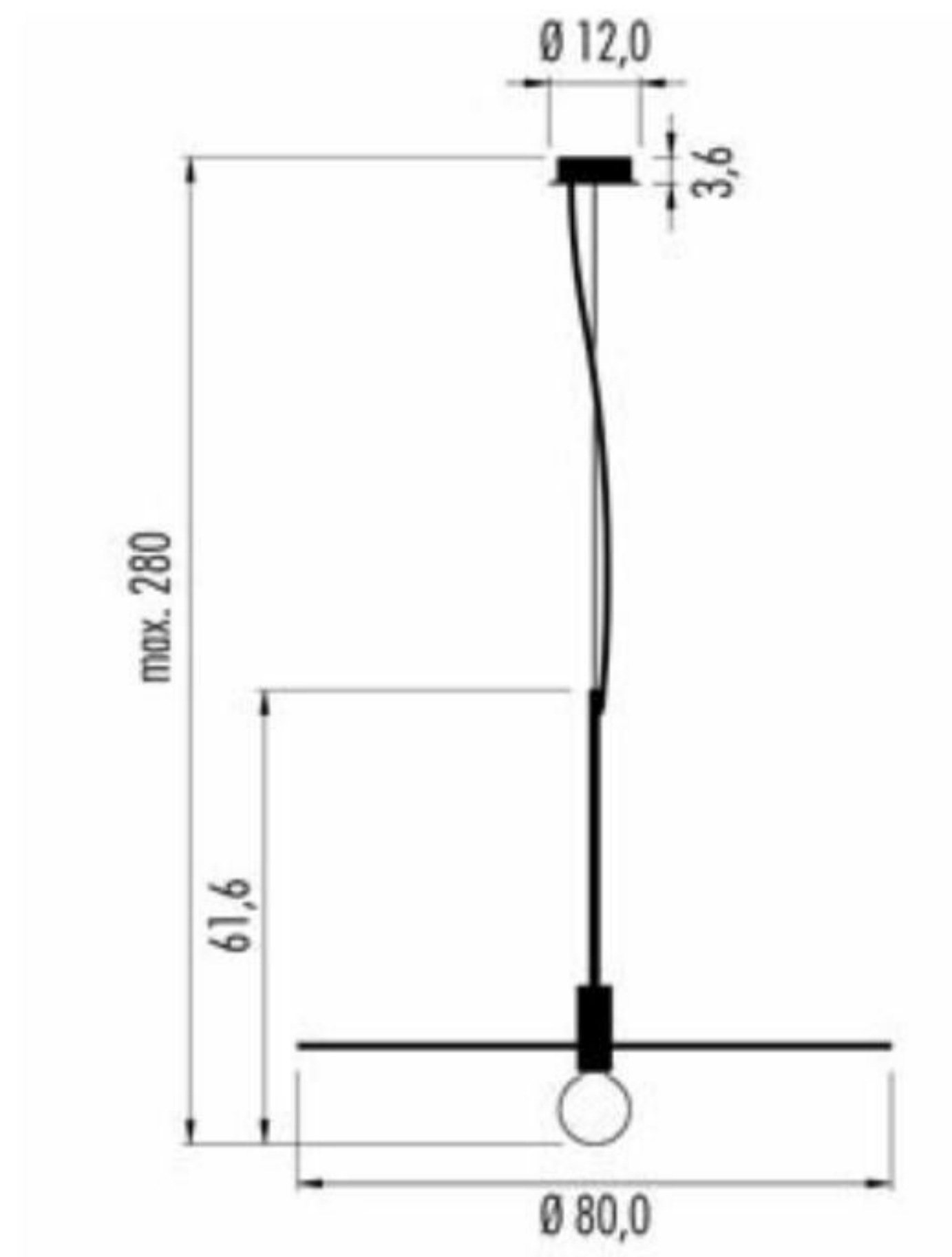
Wire/Cavo:
Brass - Ottone
Bulb/Lampadina:
Mirror Brass - Specchiata ottone



Kit Cable for Host composition	
1KIT.300.S	Brass - Ottone

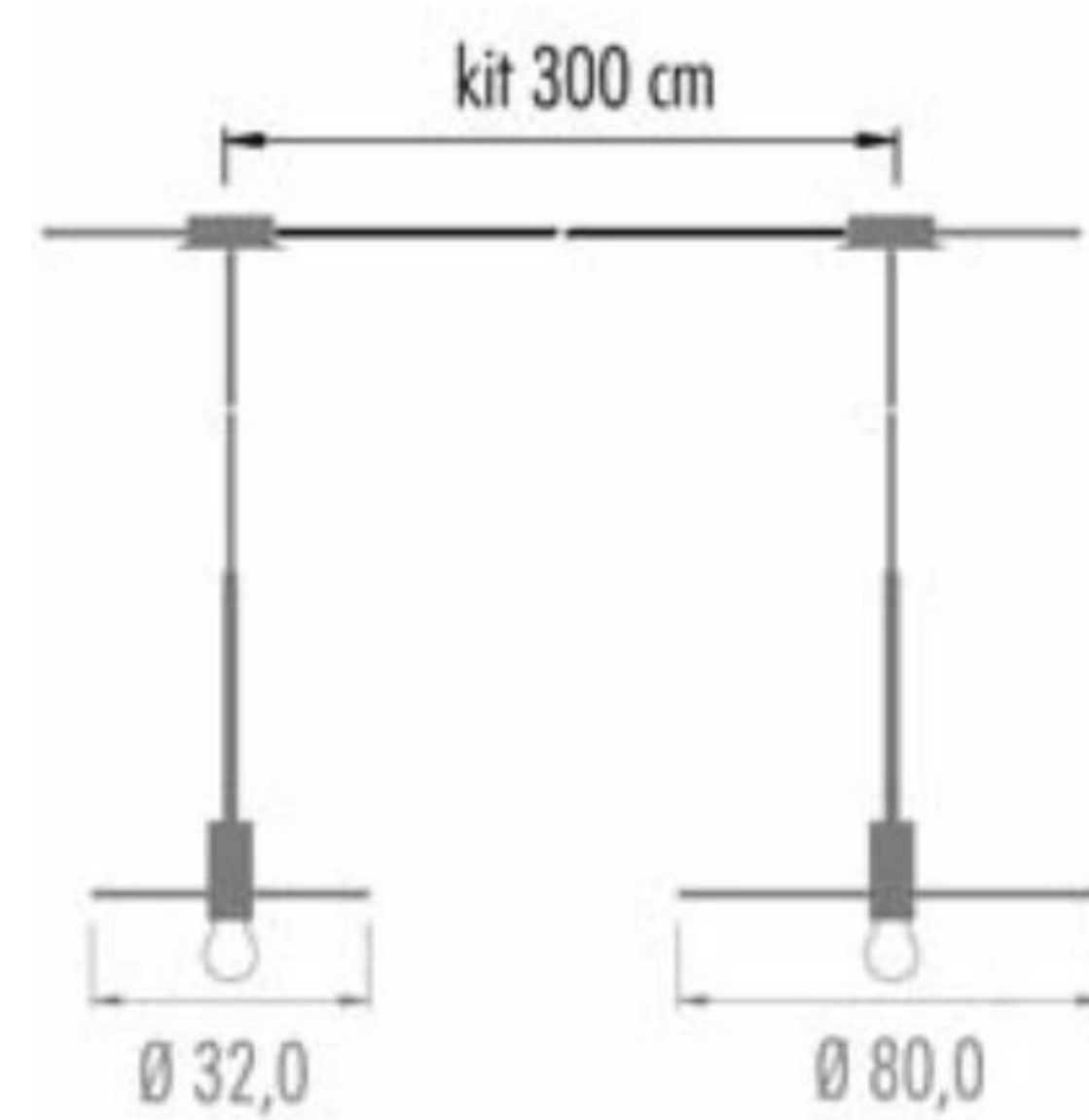


Pop Host $\varnothing 80,0$ Mono-color



IP20	Ⓛ	CE	▽
220-240V	e27 7W	CRI>80	
3H80C.12L.06	dim. IGBT - Triac		
Led color	Nominal lm	Beam spread	
2700K	806	180°	

IP20	Ⓛ	A+B=390cm	CE	▽
220-240V	e27 7W	CRI>80		
3H80D.12L.06	dim. IGBT - Triac			
Led color	Nominal lm	Beam spread		
2700K	806	180°		



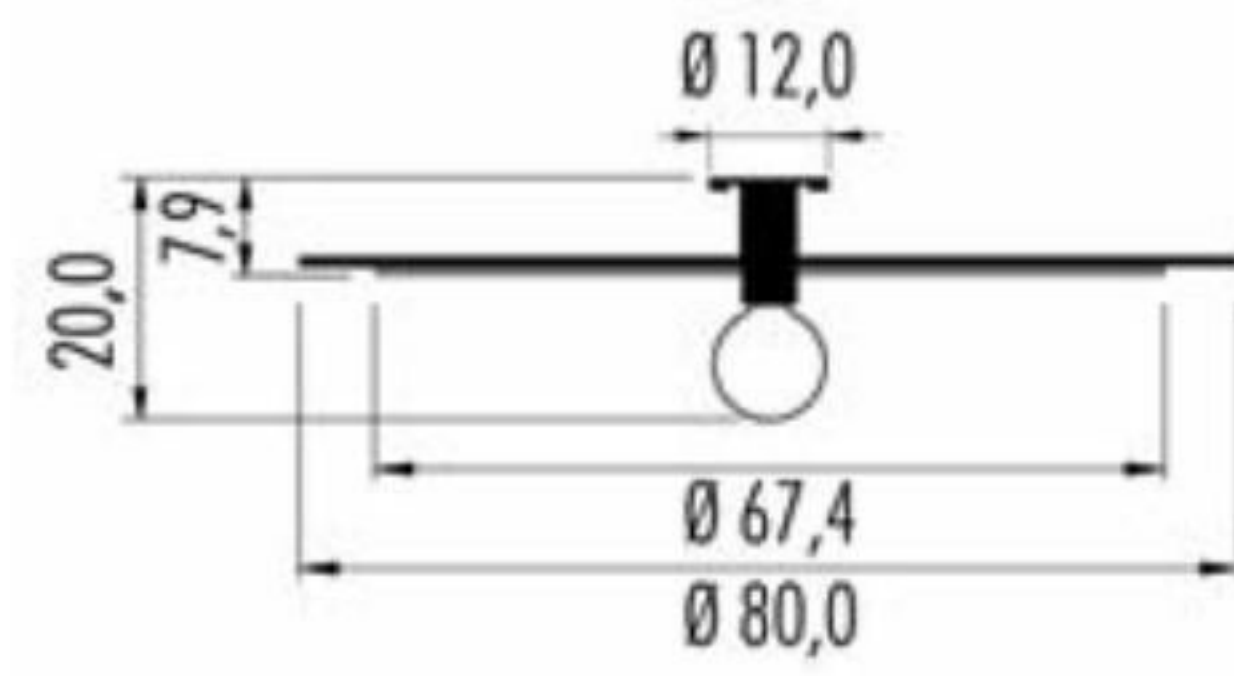
Canopy/Rosone:
White - Bianco
Wire/Cavo:
White - Bianco
Bulb/Lampadina:
Mirror chrome - Specchiata cromo

Kit Cable for Host composition

1KIT.300.06 White



Pop Host W Ø 80,0 Bi-color
 wall/ceiling - parete/plafone



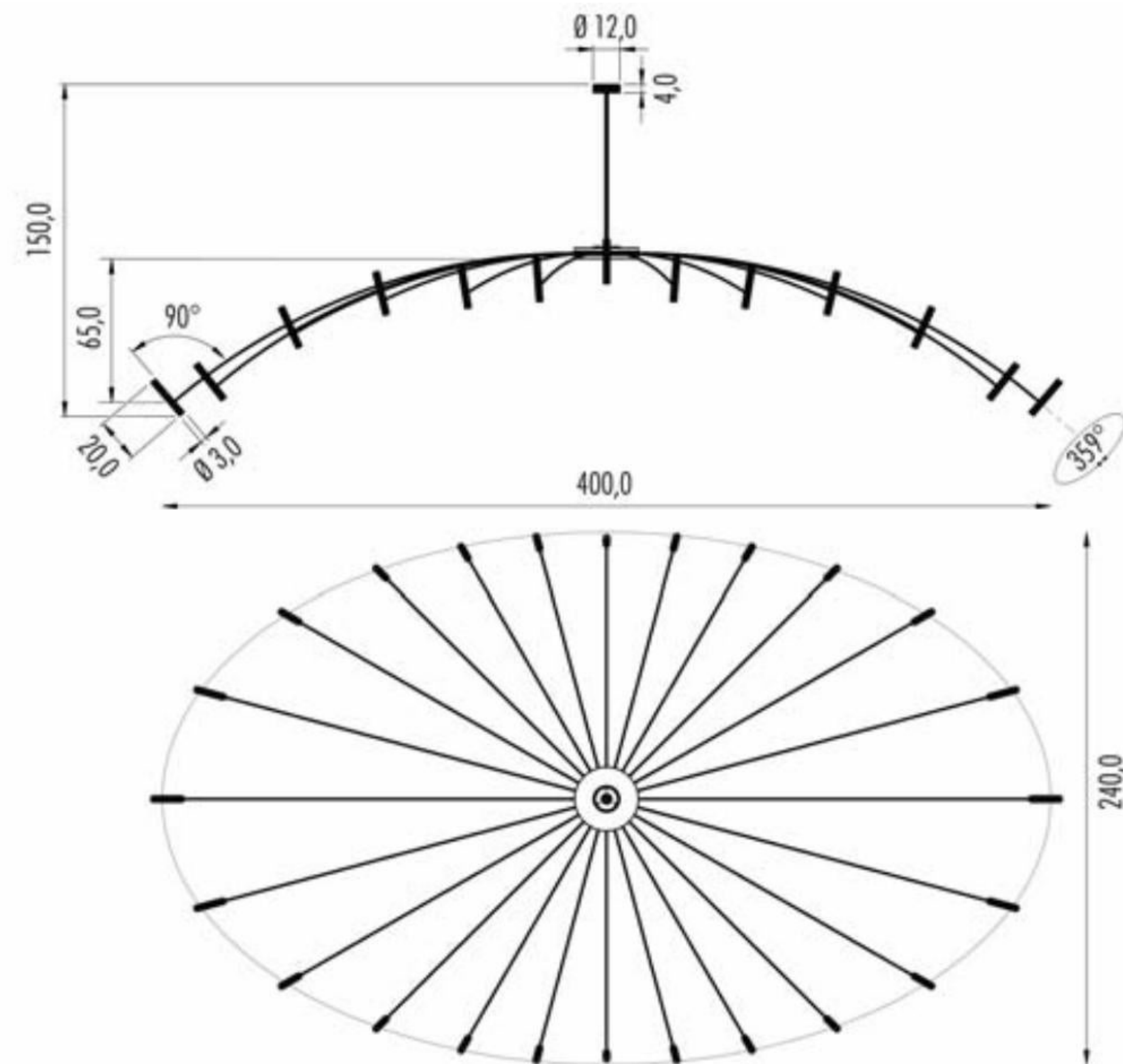
IP20	Ⓛ	CE	▽
220-240V	e27 7W	CRI>80	
3H80W.12L. □	dim. IGBT - Triac		
<i>Led color</i>	<i>Nominal lm</i>	<i>Beam spread</i>	
2700K	806	180°	

□	Up	Down	Diffuser color - Diffusore
KS	●	●	Black/Brass - Nero/Ottone
WS	○	●	White/Brass - Bianco/Ottone
BS	●	●	Blue/Brass - Blu/Ottone
GS	●	●	Green/Brass - Verde/Ottone
PS	●	●	Rose/Brass - Rosa/Ottone
RS	●	●	Red/Brass - Rosso/Ottone

Bulb/Lampadina:
 Mirror Brass - Specchiata Ottone



Pop P40 A Chandelier



IP20	MC-E=3	CE
220-240V	24x6,0W	CRI>95
3P40A.2 M.		
<i>Led color</i>	<i>Nominal lm</i>	<i>Beam spread</i>
2 = 2700K	24 x 664	35°
3 = 3000K	24 x 689	

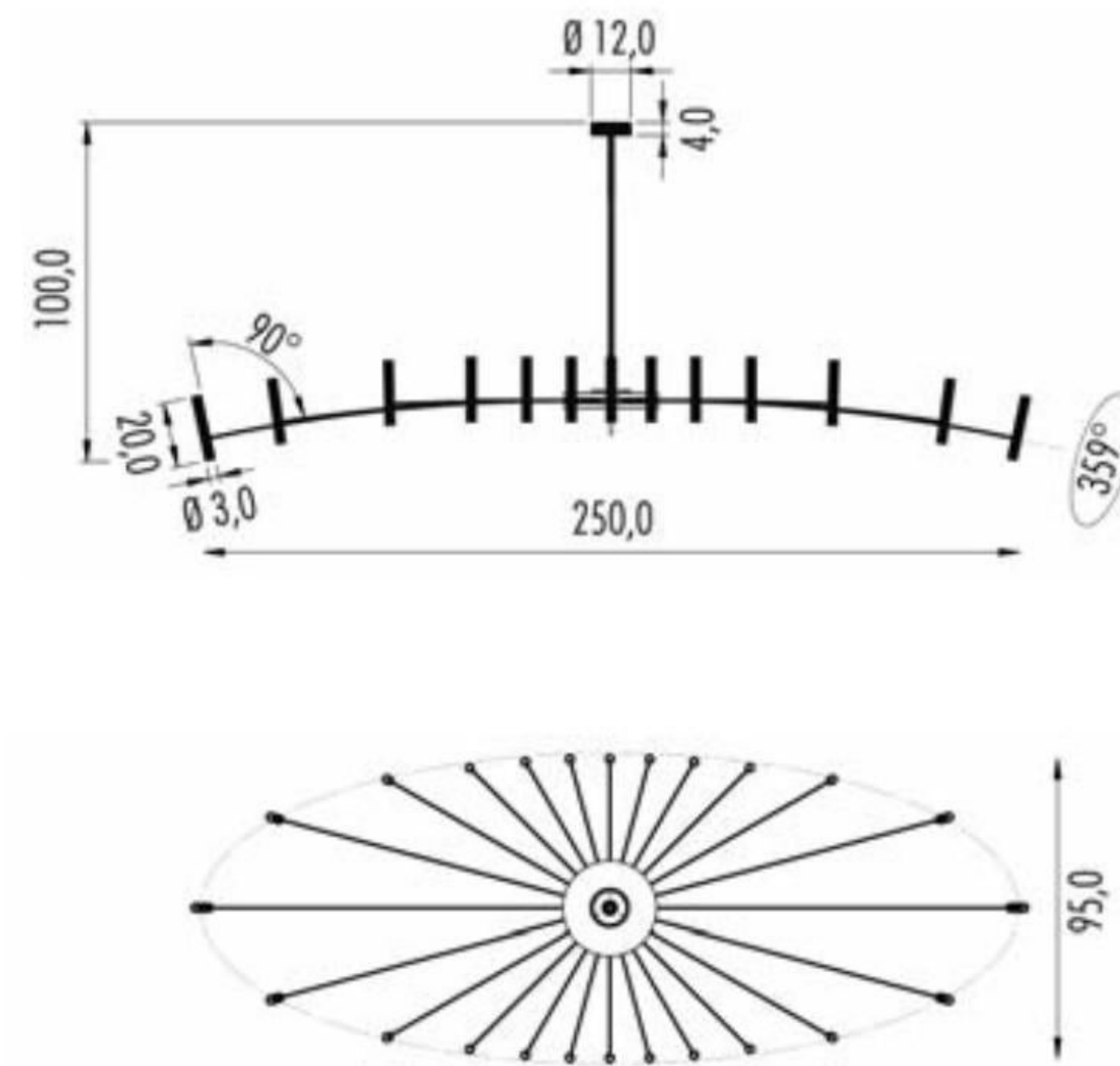
3DRV.024.DIM DALI - Push - 1...10V
 remote installation: need 2 unit to order
 installazione remota: necessario ordinare 2 unità

	<i>Frame - Struttura</i>
02	Black - Nero
06	White - Bianco
B	Blue - Blu
C	Copper - Rame
G	Green - Verde
P	Rose - Rosa
R	Red - Rosso

Two given electronic gears (remote installation) for double switching on (alternating mode)
 I due trasformatori forniti (da installare in remoto) comandano la doppia accensione -separata e alternata- dei 24 led (12+12)



Pop P40 B Chandelier



IP20	MC-E=3	CE
220-240V	24x6,0W	CRI>95
3P40B.2 ■ M. □		
■ Led color	Nominal lm	Beam spread
2 = 2700K	24 x 664	35°
3 = 3000K	24 x 689	

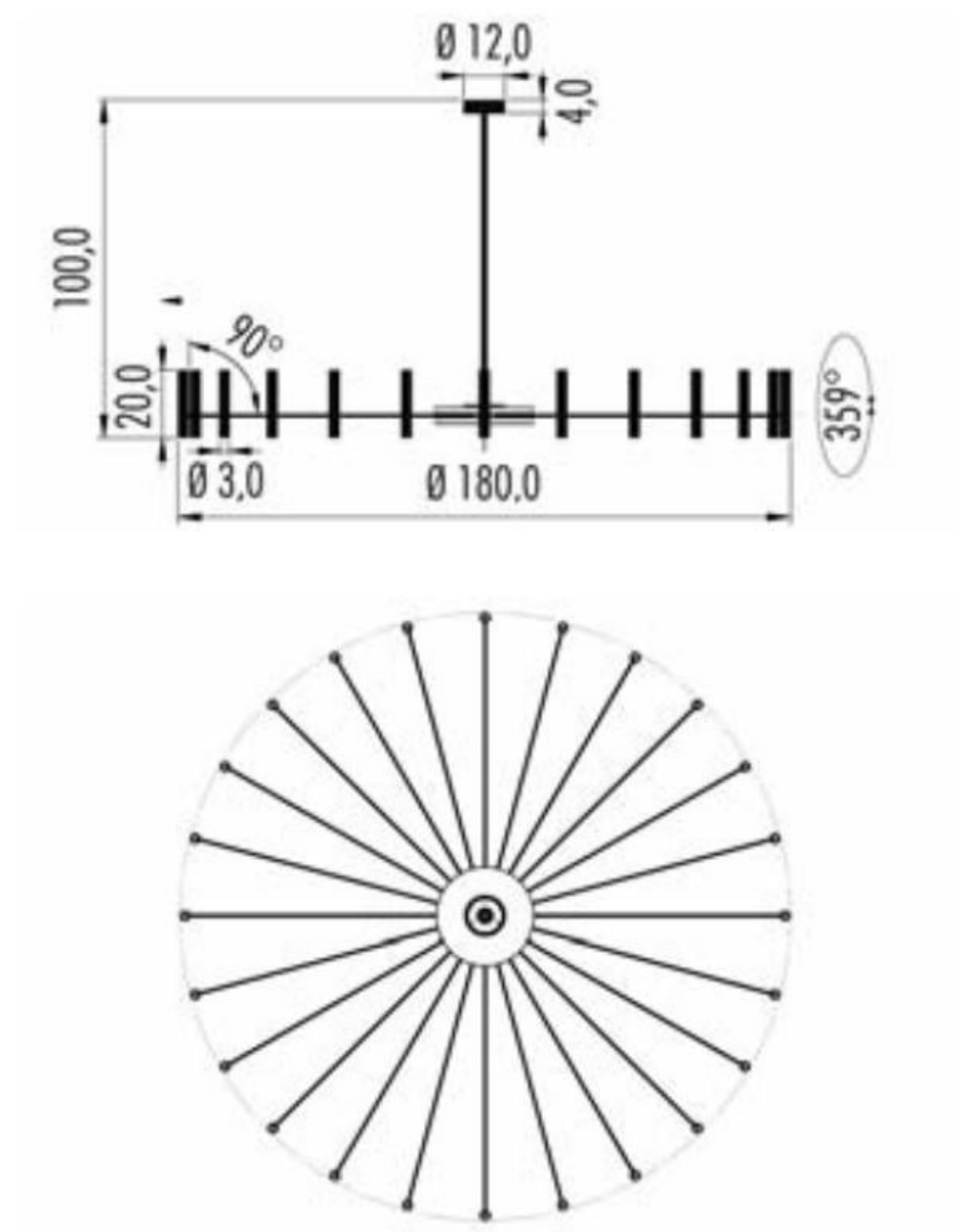
3DRV.024.DIM DALI - Push - 1...10V
 remote installation: need 2 unit to order
 installazione remota: necessario ordinare 2 unità

□	Frame - Struttura
02 ●	Black - Nero
06 ○	White - Bianco
B ●	Blue - Blu
C ●	Copper - Rame
G ●	Green - Verde
P ●	Rose - Rosa
R ●	Red - Rosso

Two given electronic gears (remote installation) for double switching on (alternating mode)
 I due trasformatori forniti (da installare in remoto) comandano la doppia accensione -separata e alternata- dei 24 led (12+12)



Pop P40 R Chandelier



IP20	MC-E=3	CE
220-240V	24x6,0W	CRI>95
3P40R.2 M.		
<i>Led color</i>	<i>Nominal lm</i>	<i>Beam spread</i>
2 = 2700K	24 x 664	35°
3 = 3000K	24 x 689	

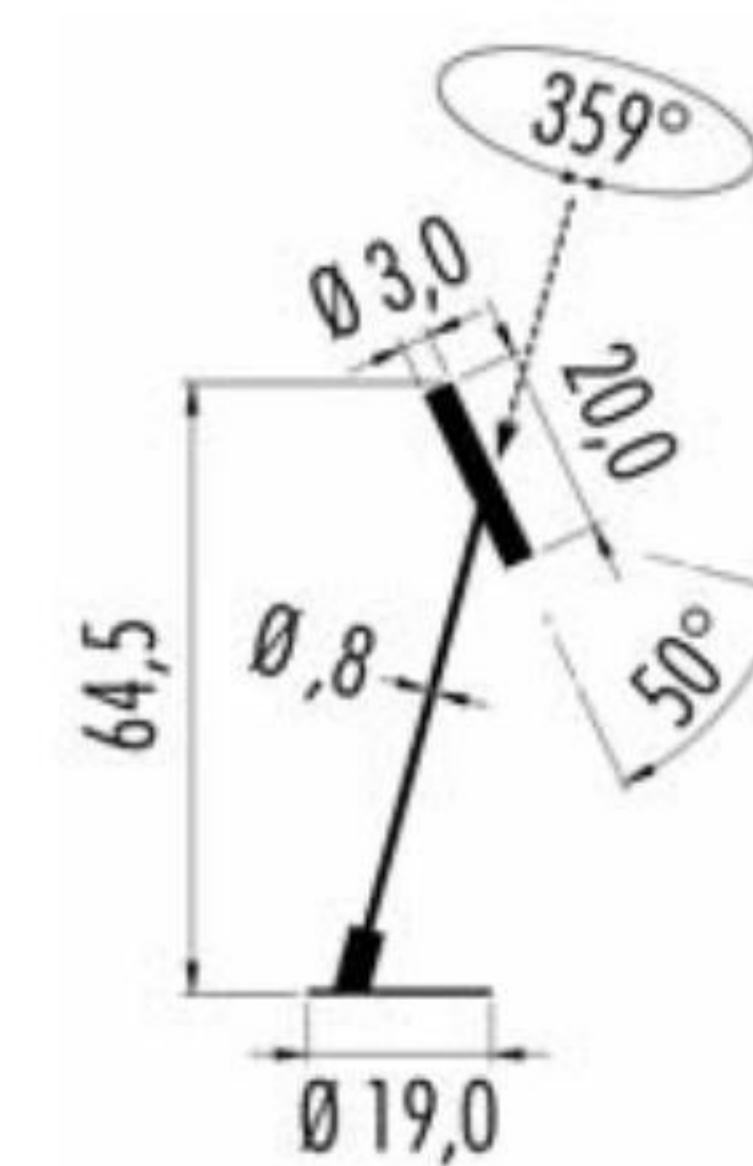
3DRV.024.DIM DALI - Push - 1...10V
 remote installation: need 2 unit to order
 installazione remota: necessario ordinare 2 unità

	<i>Frame - Struttura</i>
02	Black - Nero
06	White - Bianco
B	Blue - Blu
C	Copper - Rame
G	Green - Verde
P	Rose - Rosa
R	Red - Rosso

Two given electronic gears (remote installation) for double switching on (alternating mode)
 I due trasformatori forniti (da installare in remoto) comandano la doppia accensione -separata e alternata- dei 24 led (12+12)



Pop P50 Pinocchio



IP20 © MC-E=3 CE ▽

100-240V 6W CRI>95

4P50.2 ■ M. □ dimmable

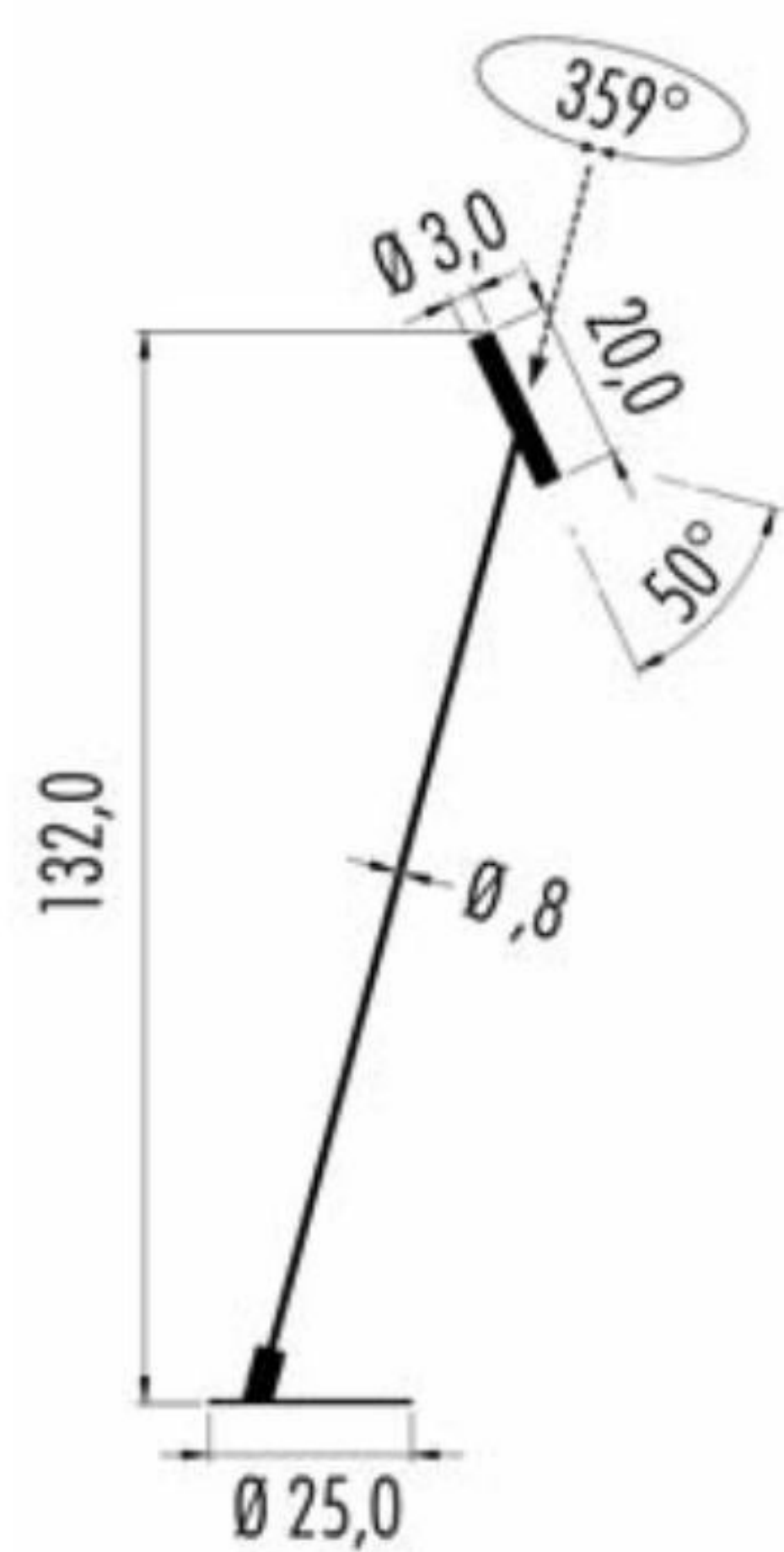
With honeycomb - Con frangiluce

Led color	Nominal lm	Beam spread
2 = 2700K	824	35°
3 = 3000K	861	
4 = 3000K	888	

□ *Frame - Struttura*

- 02 ● Black - Nero
- 06 ○ White - Bianco
- B ● Blue - Blu
- C ● Copper - Rame
- G ● Green - Verde
- P ● Rose - Rosa
- R ● Red - Rosso

Pop P55 Pinocchio



IP20 © MC-E=3 CE ▽

100-240V 6W CRI>95

4P55.2 ■ M. □ dimmable

With honeycomb - Con frangiluce

Led color	Nominal lm	Beam spread
2 = 2700K	824	35°
3 = 3000K	861	
4 = 3000K	888	

□ Frame - Struttura

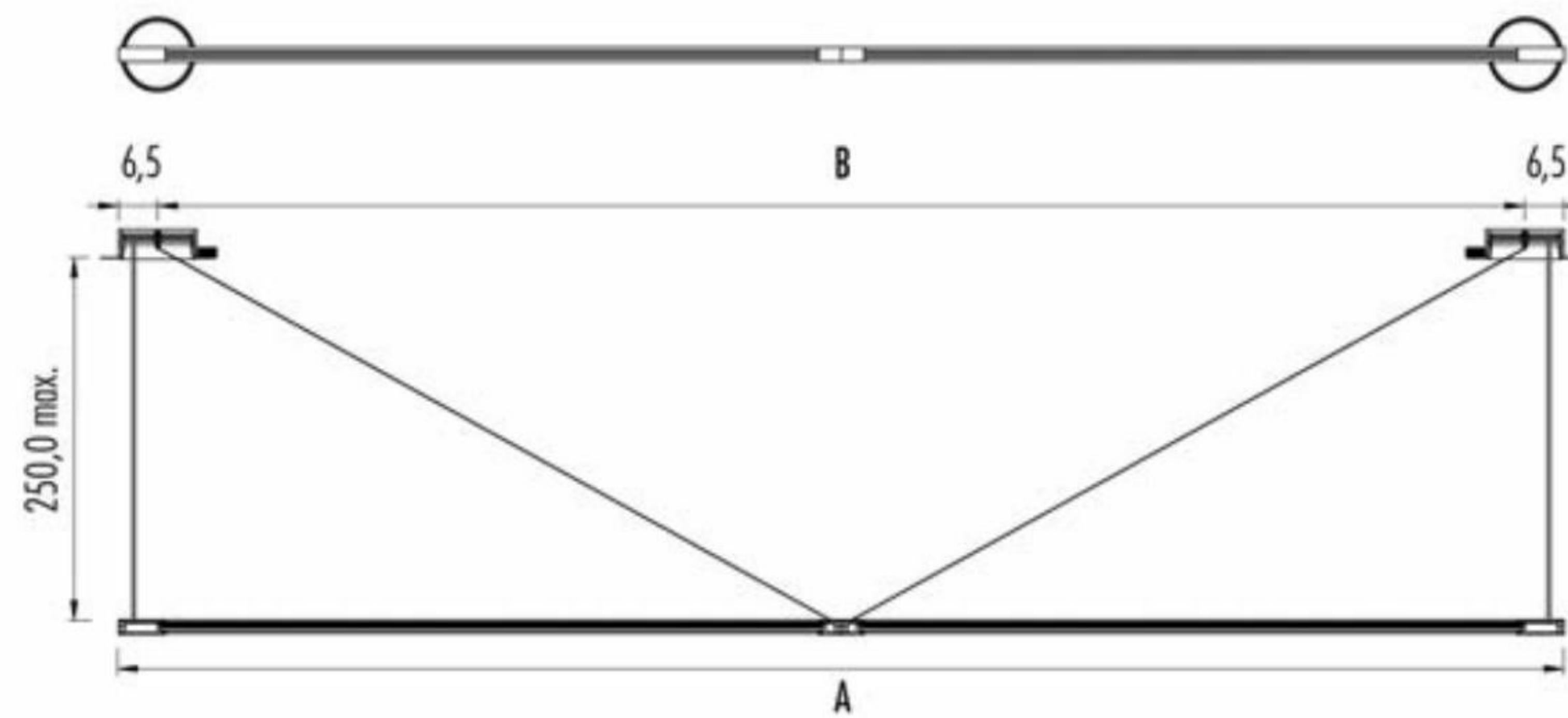
02	●	Black - Nero
06	○	White - Bianco
B	●	Blue - Blu
C	●	Copper - Rame
G	●	Green - Verde
P	●	Rose - Rosa
R	●	Red - Rosso



Pop Brooklyn



lookbook

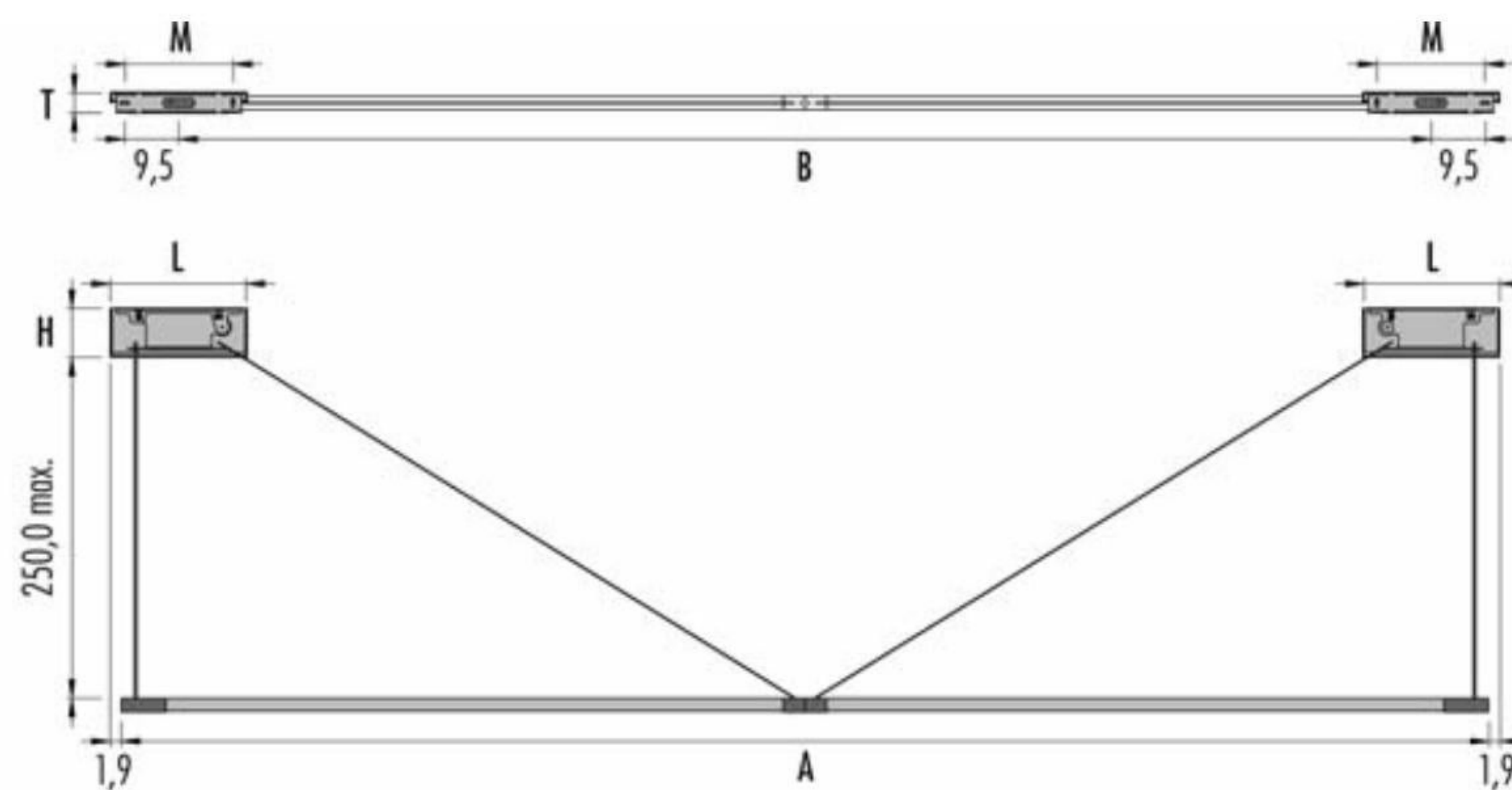


Housing for plasterboard - Cassaforma cartongesso

1Z00.120.01 2 unit \curvearrowright \varnothing 14,0cm

Housing for brickwork - Cassaforma laterizio

1M00.120.01 2 unit



Frame - Struttura

02 Black - Nero

06 White - Bianco

Wire/Cavo - Black - Nero

Need two feeds for the installation

Sono necessarie due linee di alimentazione

Brooklyn ARC trimless

IP20 $\text{\textcircled{T}}$ CE ∇ $\text{\textcircled{D}}$

220-240V 2x19W CRI>95

3P122.4 L. on/off

A = 240cm B = 227cm

Led color Nominal lm Beam spread

2 = 2700K 2x2085 106°

3 = 3000K 2x2204

IP20 $\text{\textcircled{T}}$ CE ∇ $\text{\textcircled{D}}$

220-240V 2x32W CRI>95

3P202.4 L. on/off

A = 384cm B = 371cm

Led color Nominal lm Beam spread

2 = 2700K 2x3474 106°

3 = 3000K 2x3672

3KIT.024.DIM

Dimmable option:

DALI - Push - 1...10V

Remote installation - need 2 units to order

Installazione remota: ordinare 2 unità

Brooklyn CUP

IP20 $\text{\textcircled{T}}$ CE ∇ $\text{\textcircled{D}}$

220-240V 2x19W CRI>95

3P123.4 L. on/off

A = 240cm B = 219,8cm

L = 24,0cm H = 8,6cm T = 4,1cm M = 19,0cm

Led color Nominal lm Beam spread

2 = 2700K 2x2085 106°

3 = 3000K 2x2204

IP20 $\text{\textcircled{T}}$ CE ∇ $\text{\textcircled{D}}$

220-240V 2x32W CRI>95

3P203.4 L. on/off

A = 384cm B = 363,8cm

L = 28,0cm H = 13,6cm T = 4,7cm M = 23,5cm

Led color Nominal lm Beam spread

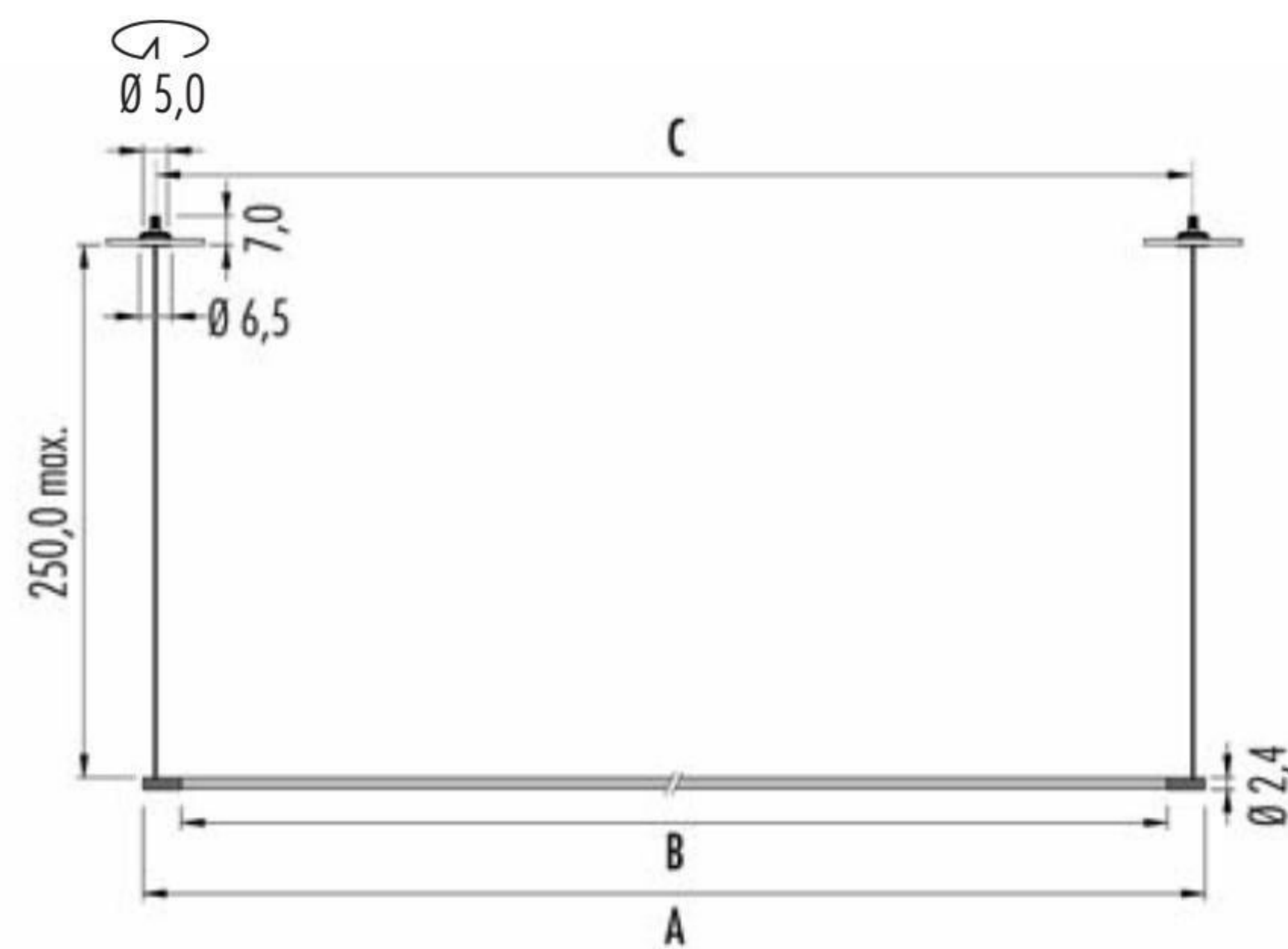
2 = 2700K 2x3474 106°

3 = 3000K 2x3672



Pop P120 - P200 **ARC** with trim

For plasterboard. Per cartongesso



IP20 ⓘ CE ⚠ ⚡

220-240V 19W CRI>95

3PA1.4 ■ L. □ on/off

A = 124cm B = 108,4cm C = 119cm

■ Led color Nominal lm Beam spread

2 = 2700K 2085 106°

3 = 3000K 2204

IP20 ⓘ CE ⚠ ⚡

220-240V 32W CRI>95

3PA2.4 ■ L. □ on/off

A = 196cm B = 180,4cm C = 191cm

■ Led color Nominal lm Beam spread

2 = 2700K 3474 106°

3 = 3000K 3672

3KIT.024.DIM

Dimmable option:

DALI - Push - 1...10V

remote installation: need 1 unit to order

installazione remota: necessario ordinare 1 pz.

□ Frame - Struttura Canopy - Rosone Wire - Cavo

02 ● Black - Nero Black - Nero Black - Nero

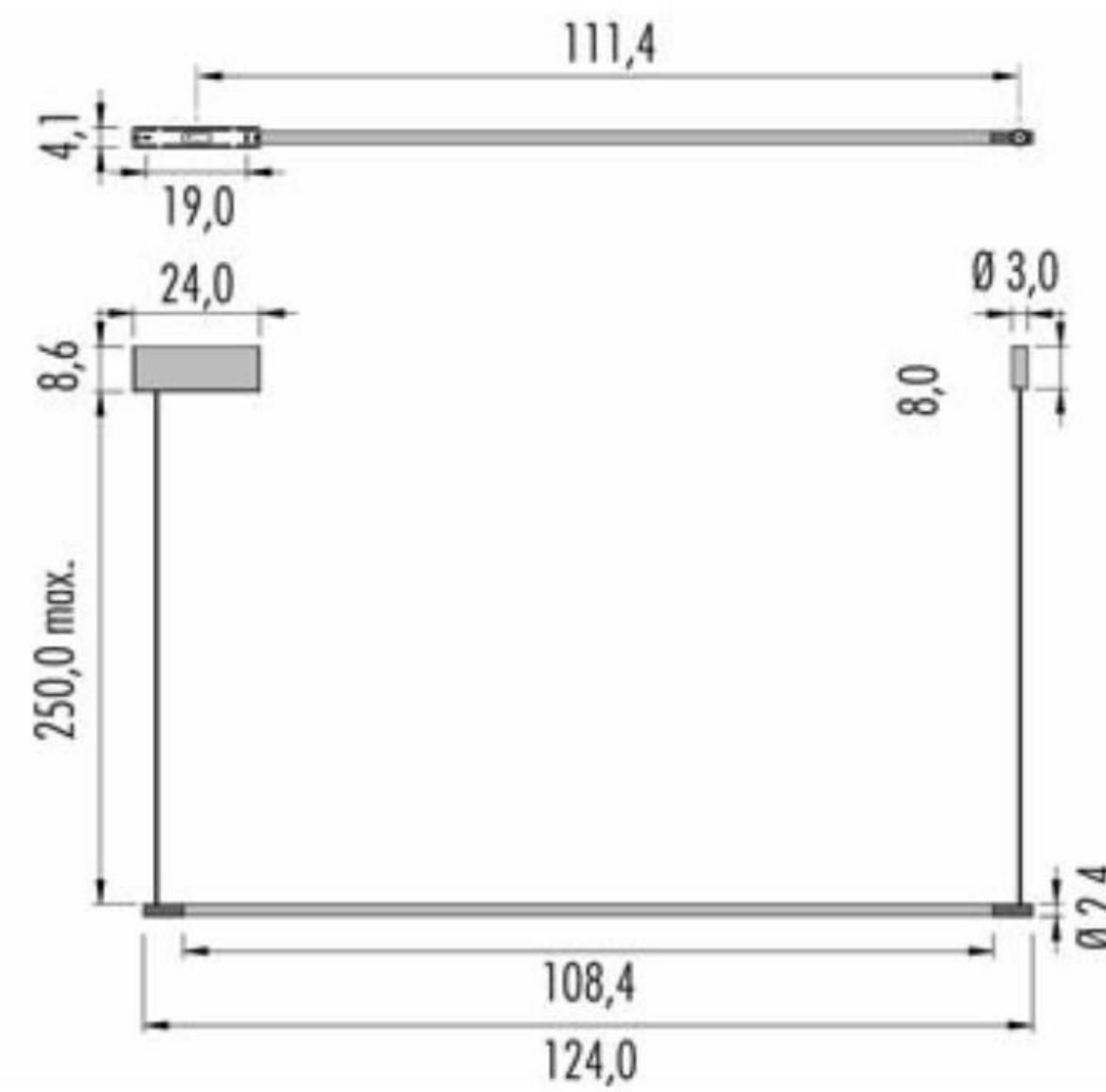
06 ○ White - Bianco White - Bianco Black - Nero

Electronic gear to be placed in remote position - Posizionare il trasformatore in remoto

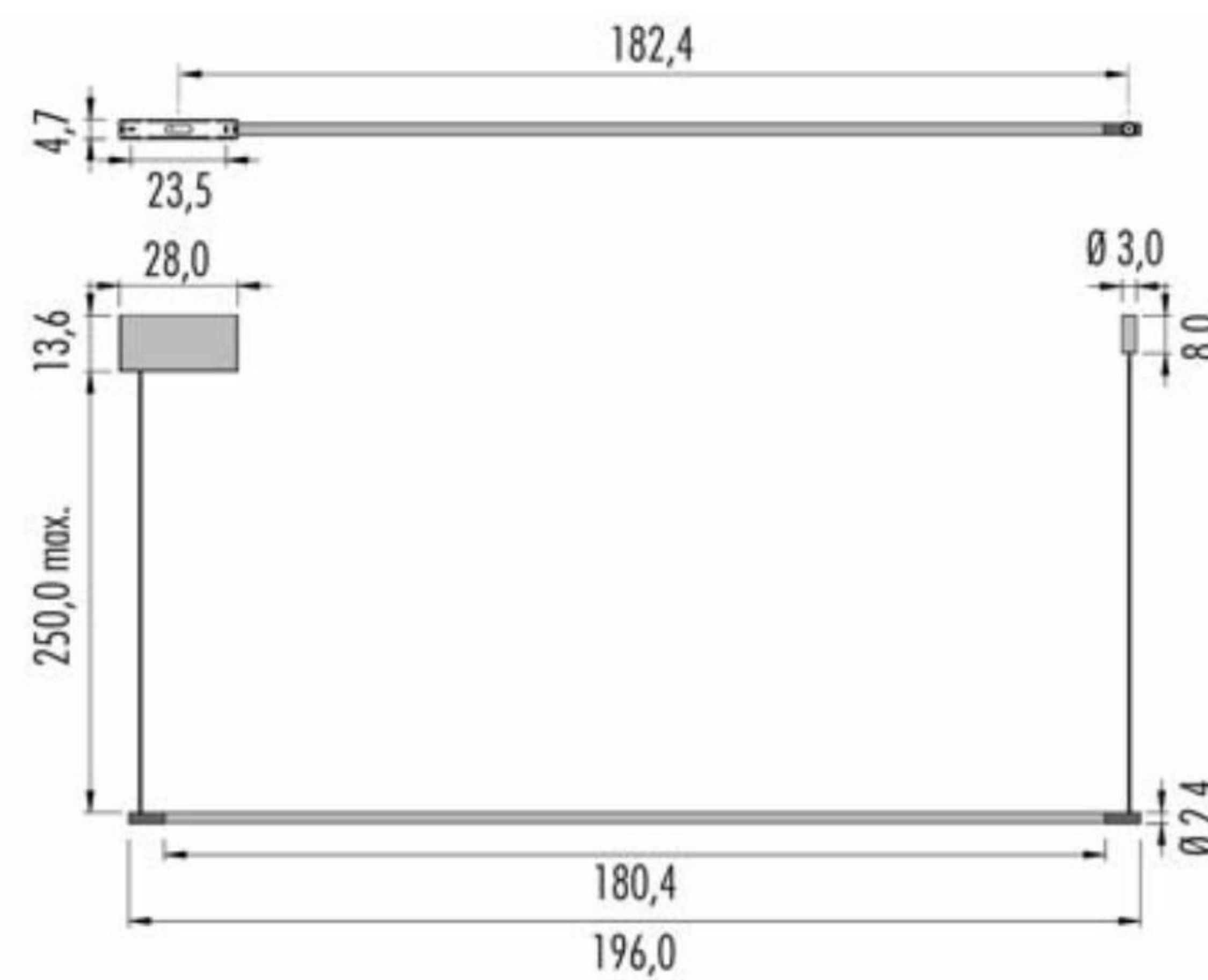


Pop P120 - P200 CUP

external canopy - rosone esterno



IP20	Ⓢ	CE	▽	Ⓢ
220-240V	19W	CRI>95		
3PC1.4	L.	on/off		
■ <i>Led color</i>	<i>Nominal lm</i>	<i>Beam spread</i>		
2 = 2700K	2085	106°		
3 = 3000K	2204			



IP20	Ⓢ	CE	▽	Ⓢ
220-240V	32W	CRI>95		
3PC2.4	L.	on/off		
■ <i>Led color</i>	<i>Nominal lm</i>	<i>Beam spread</i>		
2 = 2700K	3474	106°		
3 = 3000K	3672			

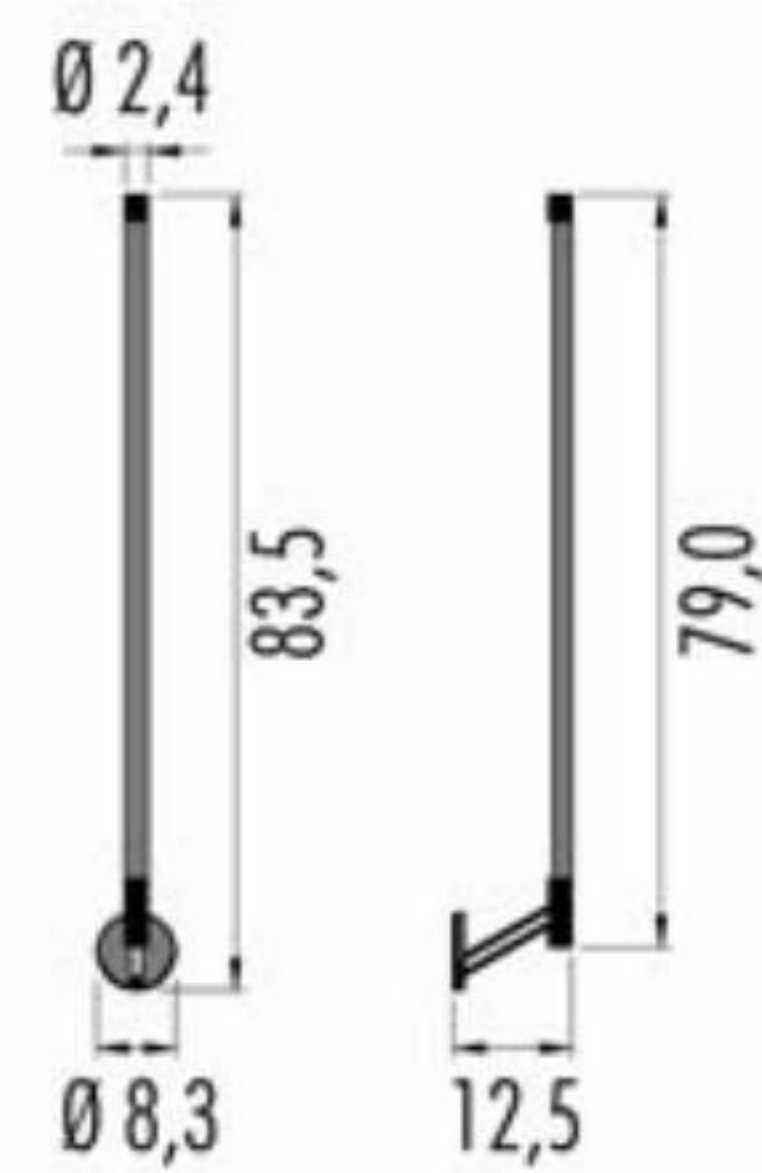
□	Frame - Struttura	Canopy - Rosone	Wire - Cavo
02 ●	Black - Nero	Black - Nero	Black - Nero
06 ○	White - Bianco	White - Bianco	Black - Nero



Pop Up 1



Pop Up 1
wall/parete



IP20 ⓘ CE ▽
220-240V 12W CRI>95

3PU1.4 ■ L. □ on/off
Electronic gear to be placed in remote position
Posizionare il trasformatore in remoto

■ Led color	Nominal lm	Beam spread
2 = 2700K	1332	106°
3 = 3000K	1408	

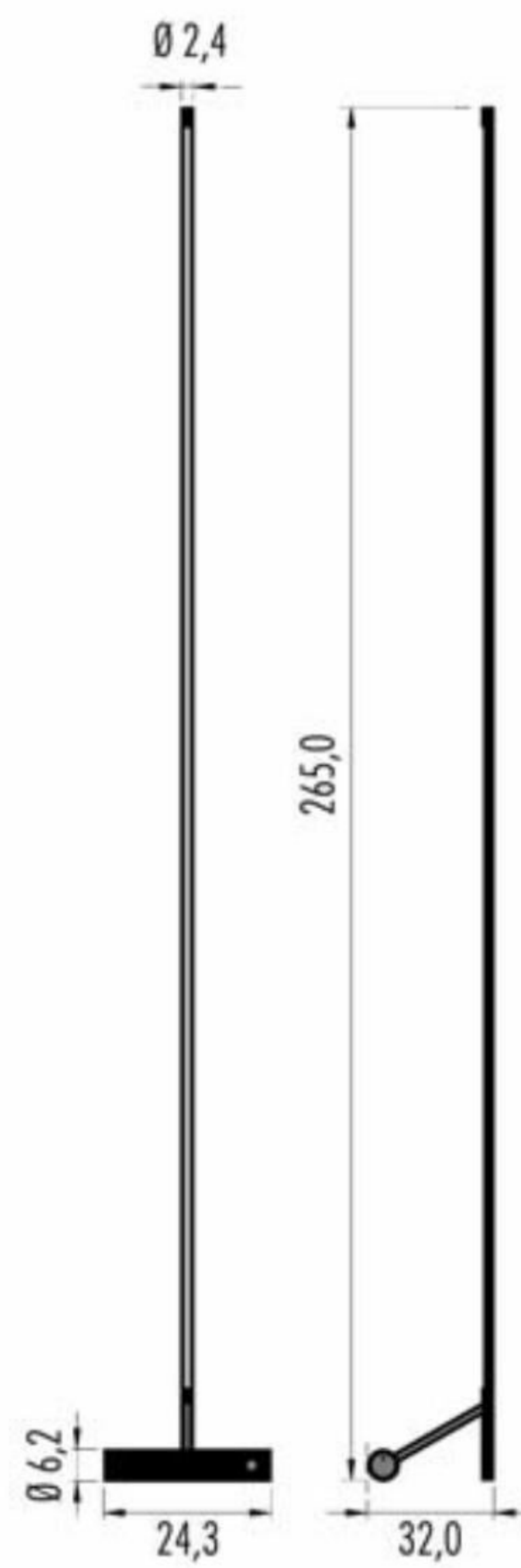
3KIT.024.DIM Dimmable option:
DALI - Push - 1...10V
Remote installation
Installazione remota

□ Frame - Struttura	Plate - Piastra
02 ● Black - Nero	● Black - Nero
06 ○ White - Bianco	○ White - Bianco
CB ● Copper - Rame	● Blue - Blu
CR ● Copper - Rame	● Red - Rosso



Pop Up 207

floor - terra



IP20 ⓘ	MC-E=3	CE ▽
220-240V	26W	CRI>95
3P207.B ■ L. □	dimmable	
■ <i>Led color</i>	<i>Nominal lm</i>	<i>Beam spread</i>
2 = 2700K	2928	106°
3 = 3000K	3072	

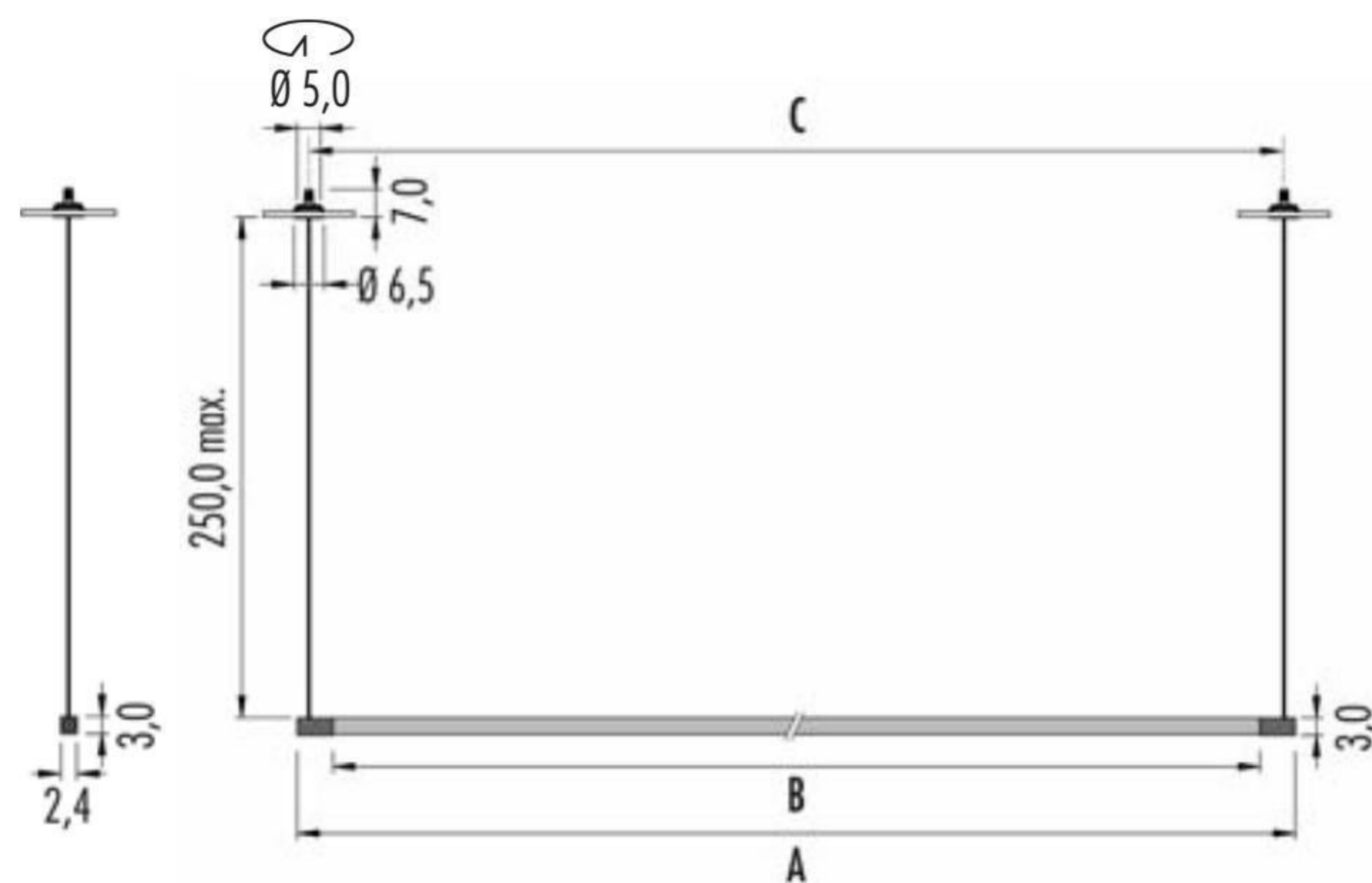
□	<i>Frame - Struttura</i>	
02 ●	Black - Nero	
06 ○	White - Bianco	



Tim ARC with trim



Tim ARC with trim
For plasterboard. Per cartongesso



IP20 CE

220-240V 2x19W CRI>95

3TA1.4 **L.** on/off
double switches up and down
accensione separata per luce superiore ed inferiore

A = 124cm B = 108,4cm C = 119cm

Led color	Nominal lm	Beam spread
2 = 2700K	2x2085	106°
3 = 3000K	2x2204	

IP20 CE

220-240V 2x32W CRI>95

3TA2.4 **L.** on/off
double switches up and down
accensione separata per luce superiore ed inferiore

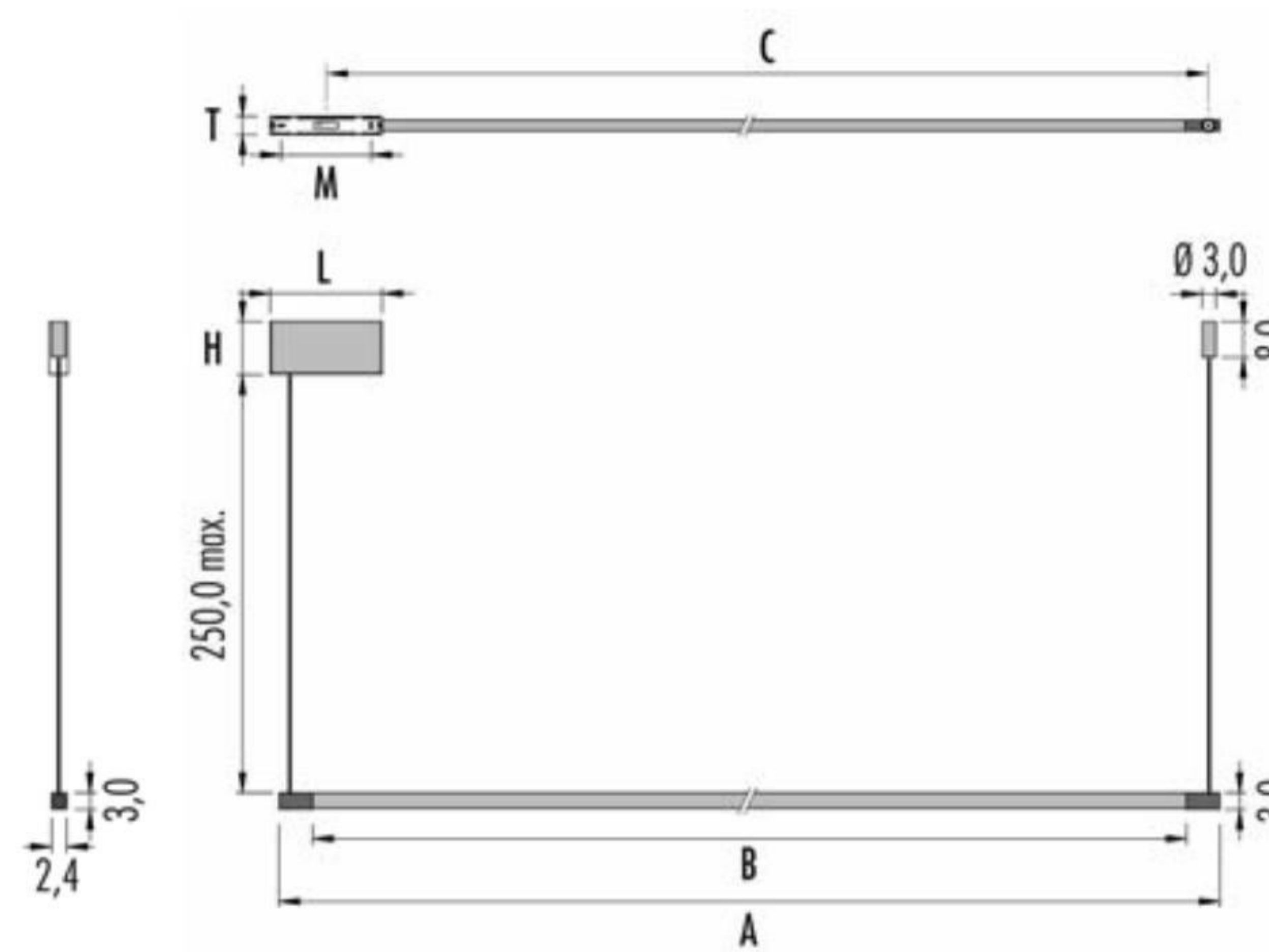
A = 196cm B = 180,4cm C = 191cm

Led color	Nominal lm	Beam spread
2 = 2700K	2x3474	106°
3 = 3000K	2x3672	

3KIT.024.DIM Dimmable option:
DALI - Push - 1...10V
Remote installation - need 2 unit to order
Installazione remota - ordinare 2 unità

ARC version only - solo versione ARC:
Electronic gear to be placed in remote position - Posizionare il trasformatore in remoto.

Tim CUP
external canopy - rosone esterno



IP20 CE

220-240V 2x19W CRI>95

3TC1.4 **L.** on/off
singular switch up and down - dimmable on request
unica accensione per luce superiore ed inferiore
a richiesta dimmerabilità DALI - PUSH - 1...10V

A = 124cm B = 108,4cm C = 110,4cm
L = 24,0cm H = 8,6cm T = 4,1cm M = 19,0cm

Led color	Nominal lm	Beam spread
2 = 2700K	2x2085	106°
3 = 3000K	2x2204	

IP20 CE

220-240V 2x32W CRI>95

3TC2.4 **L.** on/off
singular switch up and down
unica accensione per luce superiore ed inferiore

A = 196cm B = 180,4cm C = 182,4cm
L = 28,0cm H = 13,6cm T = 4,7cm M = 23,5cm

Led color	Nominal lm	Beam spread
2 = 2700K	2x3474	106°
3 = 3000K	2x3672	

Frame - Struttura Canopy - Rosone Wire - Cavo

02 Black - Nero Black - Nero Black - Nero
06 White - Bianco White - Bianco Black - Nero

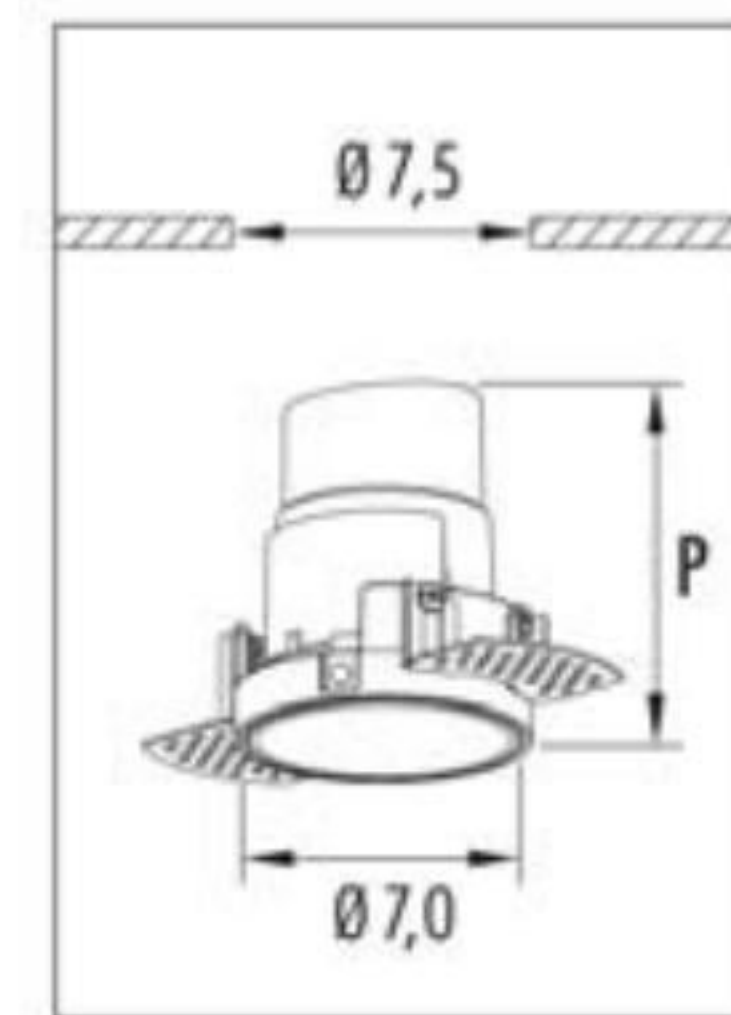


X1A Ø 7,0 trimless



X1A Ø 7,0 trimless

For plasterboard. Per cartongesso



UGR<19

IP40



220V ÷ 240V

3X1A.210.□ GU10 led

IP40

Flicker < 20%



220V ÷ 240V

LED 9,5W

CRI>90

3X1A.K■▲.□ dimm IGBT - TRIAC

■ Led color

Nominal lm

▲ Beam spread

2 = 2700K

834

M = 36°

3 = 3000K

877

S = 24°

	X1A	P
3X1A.210.□	GU10 led	—
3X1A.K■▲.□	led 9,5W	13,0



□ 02 Black - Nero



□ 06 White - Bianco



□ CH Chrome - Cromo



□ CB Black Chrome
Cromo scuro

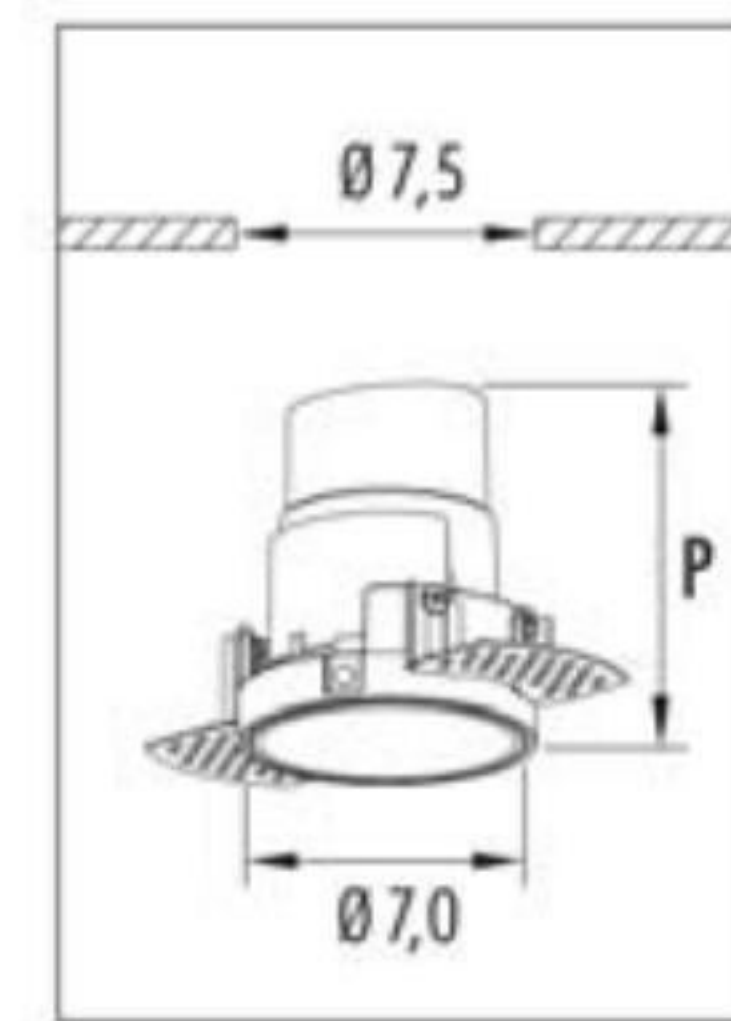


□ GD Gold - Oro

Housing - Cassaforma

1X00.0XA.01

Ø 7,5 cm



UGR<19

	X1A	P
3X1A.x2	led 8W	9,2
3X1A.x2	led 8W	9,2
3X1A.x3	led 12,2W	11,7
3X1A.D2 W	led 8W	9,2

Honeycomb - Frangiluce

1X00.H50.02	for IP40
1X00.H50.54	for IP54

IP40 © MC-E=3 CE V

200m/A **LED 8W** CRI>95 Driver included

3X1A.02 ON/OFF

3X1A.E2 DALI - Push

3X1A.G2 0...10V

3X1A.D2 dimm IGBT - TRIAC

Led color	Nominal lm	Beam spread
2 = 2700K	829	L = 60°
3 = 3000K	872	M = 32°
		S = 24°

IP54 © MC-E=3 CE V

200m/A **LED 8W** CRI>95 Driver included

3X1A.02 ON/OFF

3X1A.E2 DALI - Push

3X1A.G2 0...10V

3X1A.D2 dimm IGBT - TRIAC

Led color	Nominal lm	Beam spread
2 = 2700K	829	L = 60°
3 = 3000K	872	M = 32°
		S = 24°

IP40 © MC-E=3 CE V

350m/A **LED 12,2W** CRI>90 Driver included

3X1A.03 ON/OFF

3X1A.E3 DALI

3X1A.G3 Push - 1...10V

3X1A.D3 dimm IGBT - TRIAC

Led color	Nominal lm	Beam spread
2 = 2700K	1140	M = 36°
3 = 3000K	1170	S = 24°

IP40 © DimToWarm CE V

220V ÷ 240V LED 6W CRI 95 Driver included

3X1A.E2W DALI

3X1A.D2W dimm IGBT - TRIAC

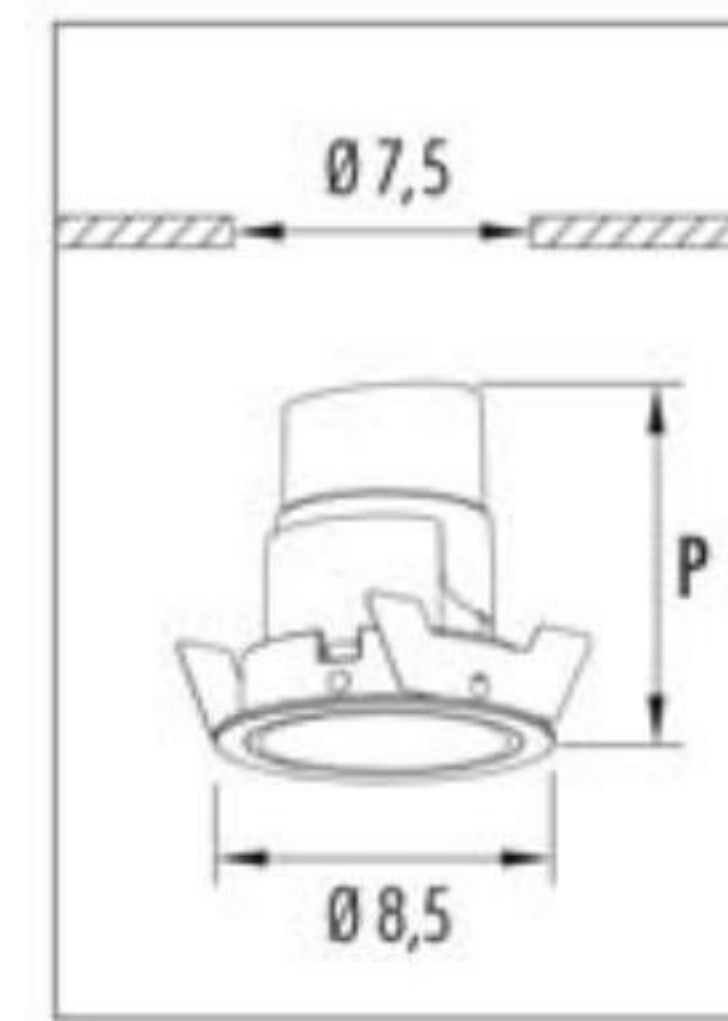
Led color	Nominal lm	Beam spread
W= max 3000K	max 445 lm	M = 30°
min. 1800K	min. 10 lm	S = 18°

Emergency unit: (inverter + battery. Driver not included)

3KIT.900.01 (1-1) 1:00 hour

3KIT.900.03 (1-1) 3:00 hours

X1B Ø 8,5 with trim
For plasterboard. Per cartongesso



UGR<19

IP40

220V ÷ 240V

3X1B.210. **GU10** led

IP40 Flicker < 20%

220V ÷ 240V

3X1B.K **LED 9,5W** dimm IGBT - TRIAC

Led color	Nominal lm	Beam spread
2 = 2700K	834	M = 36°
3 = 3000K	877	S = 24°

	<i>X1B</i>	<i>P</i>
3X1B.210.	GU10 led	—
3X1B.K	led 9,5W	13,0

Reflector with BLACK ring – Parabola con anello NERO



22 Black + Black
Nero + Nero



26 Black + White
Nero + Bianco



2H Black + Chrome
Nero + Cromo



2B Black + Black Chrome
Nero + Cromo scuro

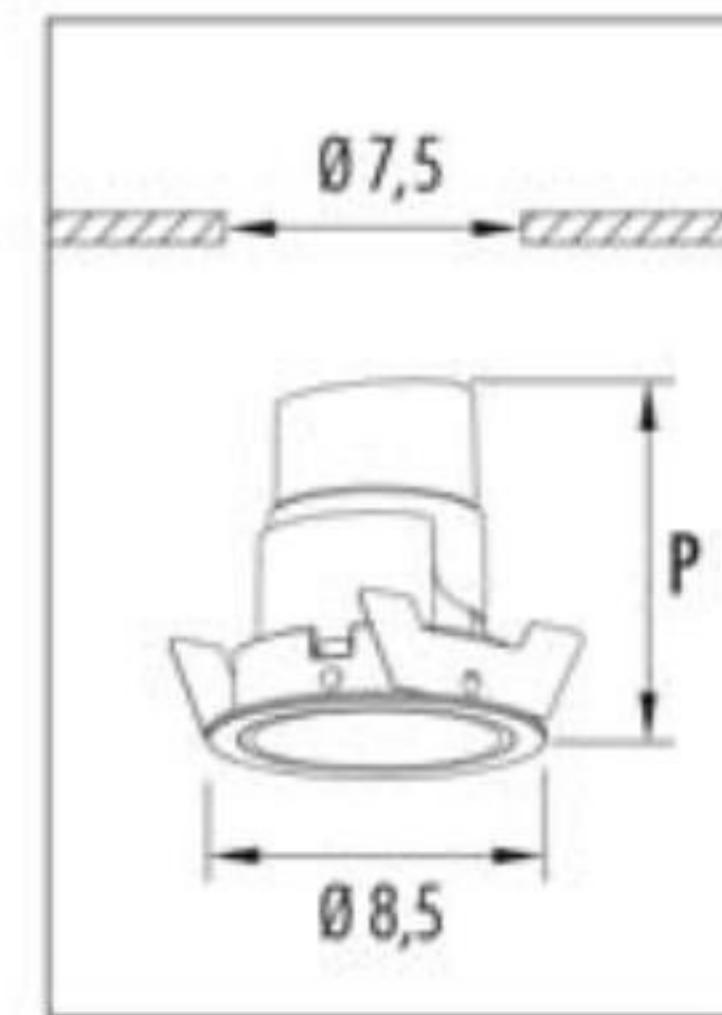


2G Black + Gold
Nero + Oro

Honeycomb - Frangiluce

1X00.H50.02 for IP40

1X00.H50.54 for IP54



UGR<19

	X1B	P
3X1B.x2	led 8W	9,2
3X1B.x2	led 8W	9,2
3X1B.x3	led 12,2W	11,7
3X1B.D2 W	led 8W	9,2

Reflector with WHITE ring – Parabola con anello BIANCO



62 White + Black
Bianco + Nero



66 White + White
Bianco + Bianco



6H White + Chrome
Bianco + Cromo



6B White + Black Chrome
Bianco + Cromo scuro



6G White + Gold
Bianco + Oro

IP40 © MC-E=3 CE V

200m/A LED 8W CRI>95 Driver included

3X1B.02 ON/OFF

3X1B.E2 DALI - Push

3X1B.G2 0...10V

3X1B.D2 dimm IGBT - TRIAC

Led color	Nominal lm	Beam spread
2 = 2700K	829	L = 60°
3 = 3000K	872	M = 32°
		S = 24°

IP54 © MC-E=3 CE V

200m/A LED 8W CRI>95 Driver included

3X1B.02 ON/OFF

3X1B.E2 DALI - Push

3X1B.G2 0...10V

3X1B.D2 dimm IGBT - TRIAC

Led color	Nominal lm	Beam spread
2 = 2700K	829	L = 60°
3 = 3000K	872	M = 32°
		S = 24°

IP40 © MC-E=3 CE V

350m/A LED 12,2W CRI>90 Driver included

3X1B.03 ON/OFF

3X1B.E3 DALI

3X1B.G3 Push - 1...10V

3X1B.D3 dimm IGBT - TRIAC

Led color	Nominal lm	Beam spread
2 = 2700K	1140	M = 36°
3 = 3000K	1170	S = 24°

IP40 © DimToWarm CE V

220V ÷ 240V LED 6W CRI 95 Driver included

3X1B.E2W DALI

3X1B.D2W dimm IGBT - TRIAC

Led color	Nominal lm	Beam spread
W= max 3000K	max 445 lm	M = 30°
min. 1800K	min. 10 lm	S = 18°

Emergency unit: (inverter + battery. Driver not included)

3KIT.900.01 (1-1) 1:00 hour

3KIT.900.03 (1-1) 3:00 hours

X2A Ø 7,0 trimless

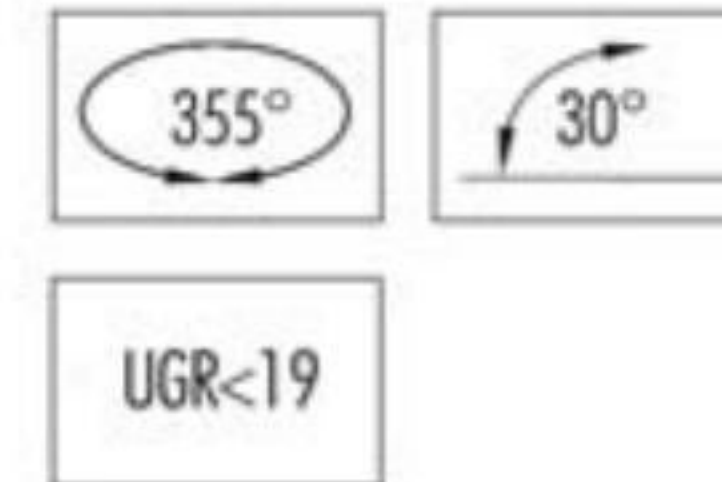
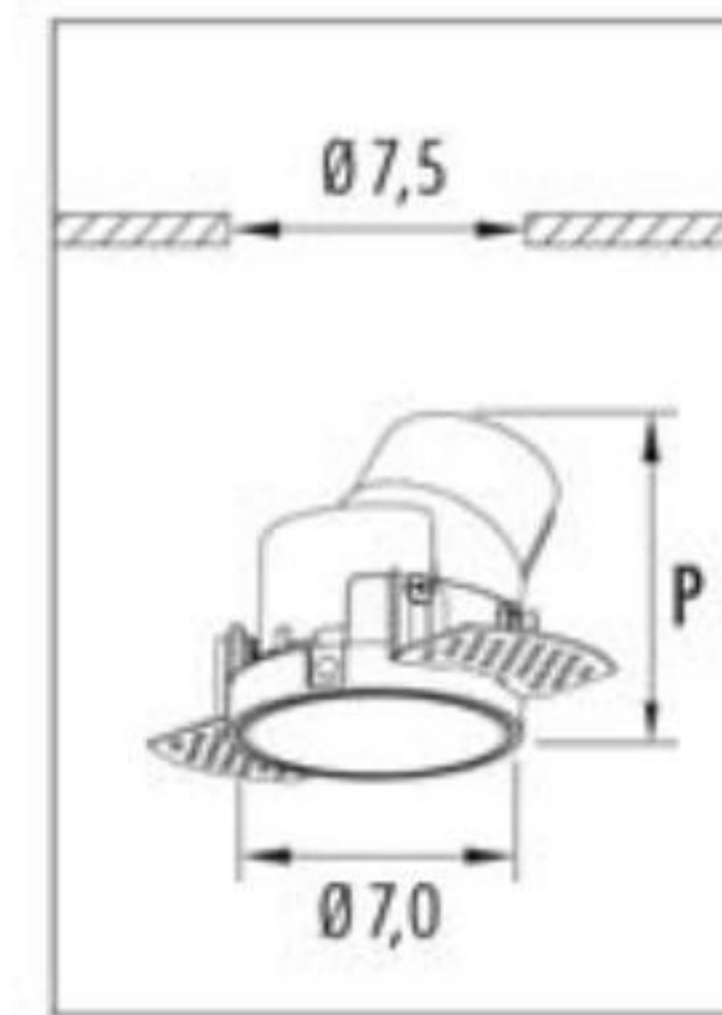


X2A Ø 7,0 trimless

For plasterboard. Per cartongesso



	X2A	P
3X2A.210.□	GU10 led	—
3X2A.K■▲.□	led 9,5W	13,0



IP40



220V ÷ 240V

3X2A.210.□ GU10 led

IP40

Flicker < 20%



220V ÷ 240V

LED 9,5W

CRI>90

3X2A.K■▲.□ dimm IGBT - TRIAC

■ Led color

Nominal lm

▲ Beam spread

2 = 2700K

834

M = 36°

3 = 3000K

877

S = 24°



□ 02 Black - Nero



□ 06 White - Bianco



□ CH Chrome - Cromo



□ CB Black Chrome
Cromo scuro



□ GD Gold - Oro

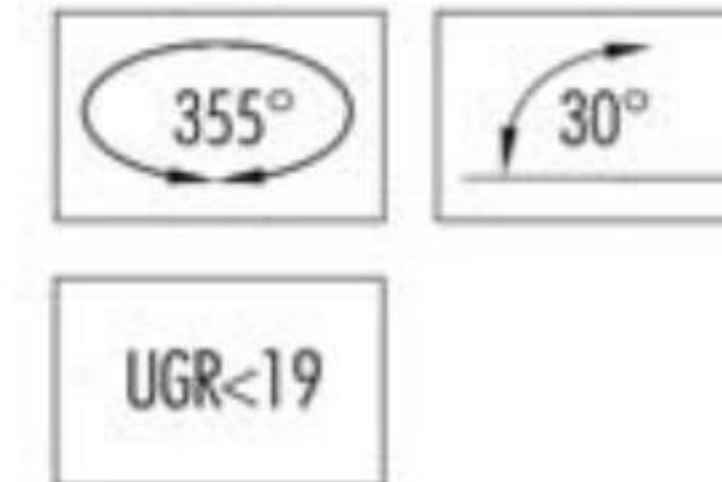
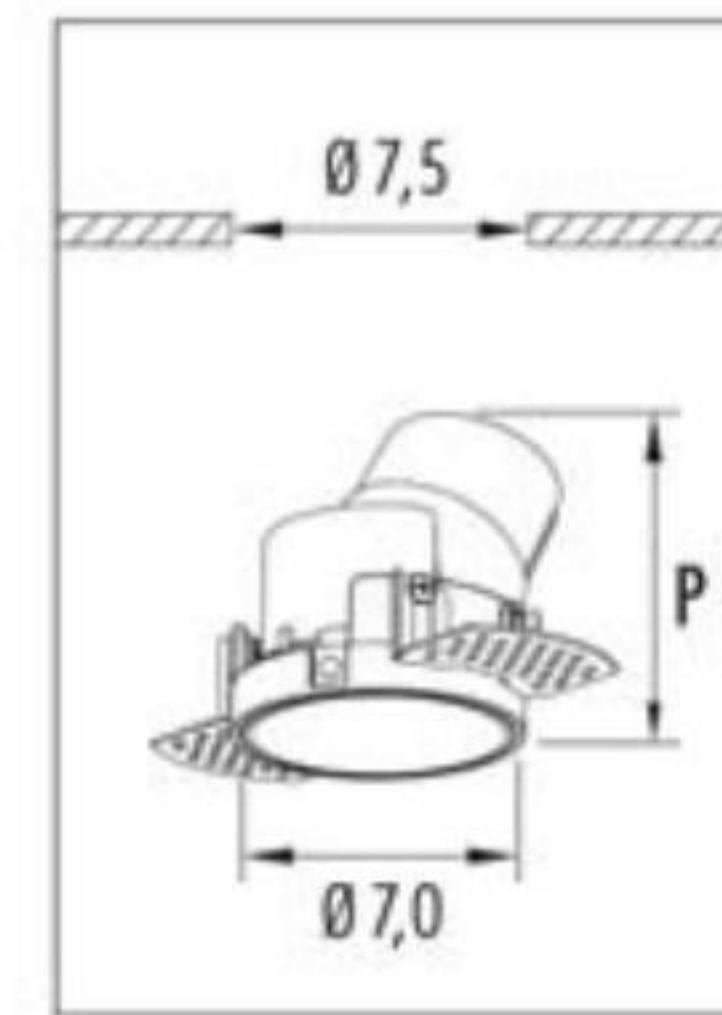
Housing - Cassaforma

1X00.0XA.01

Ø 7,5 cm



	X2A	P
3X2A.x2	led 8W	9,2
3X2A.x2	led 8W	9,2
3X2A.x3	led 12,2W	11,7
3X2A.D2 W	led 8W	9,2



IP40 © MC-E=3 CE V

200m/A LED 8W CRI>95 Driver included

3X2A.02 ON/OFF

3X2A.E2 DALI - Push

3X2A.G2 0...10V

3X2A.D2 dimm IGBT - TRIAC

Led color	Nominal lm	Beam spread
2 = 2700K	829	L = 60°
3 = 3000K	872	M = 32°
		S = 24°

IP54 © MC-E=3 CE V

200m/A LED 8W CRI>95 Driver included

3X2A.02 ON/OFF

3X2A.E2 DALI - Push

3X2A.G2 0...10V

3X2A.D2 dimm IGBT - TRIAC

Led color	Nominal lm	Beam spread
2 = 2700K	829	L = 60°
3 = 3000K	872	M = 32°
		S = 24°

IP40 © MC-E=3 CE V

350m/A LED 12,2W CRI>90 Driver included

3X2A.03 ON/OFF

3X2A.E3 DALI

3X2A.G3 Push - 1...10V

3X2A.D3 dimm IGBT - TRIAC

Led color	Nominal lm	Beam spread
2 = 2700K	1140	M = 36°
3 = 3000K	1170	S = 24°

IP40 © DimToWarm CE V

220V ÷ 240V LED 6W CRI 95 Driver included

3X2A.E2W DALI

3X2A.D2W dimm IGBT - TRIAC

Led color	Nominal lm	Beam spread
W= max 3000K	max 445 lm	M = 30°
min. 1800K	min. 10 lm	S = 18°

Emergency unit: (inverter + battery. Driver not included)

3KIT.900.01 (1-1) 1:00 hour

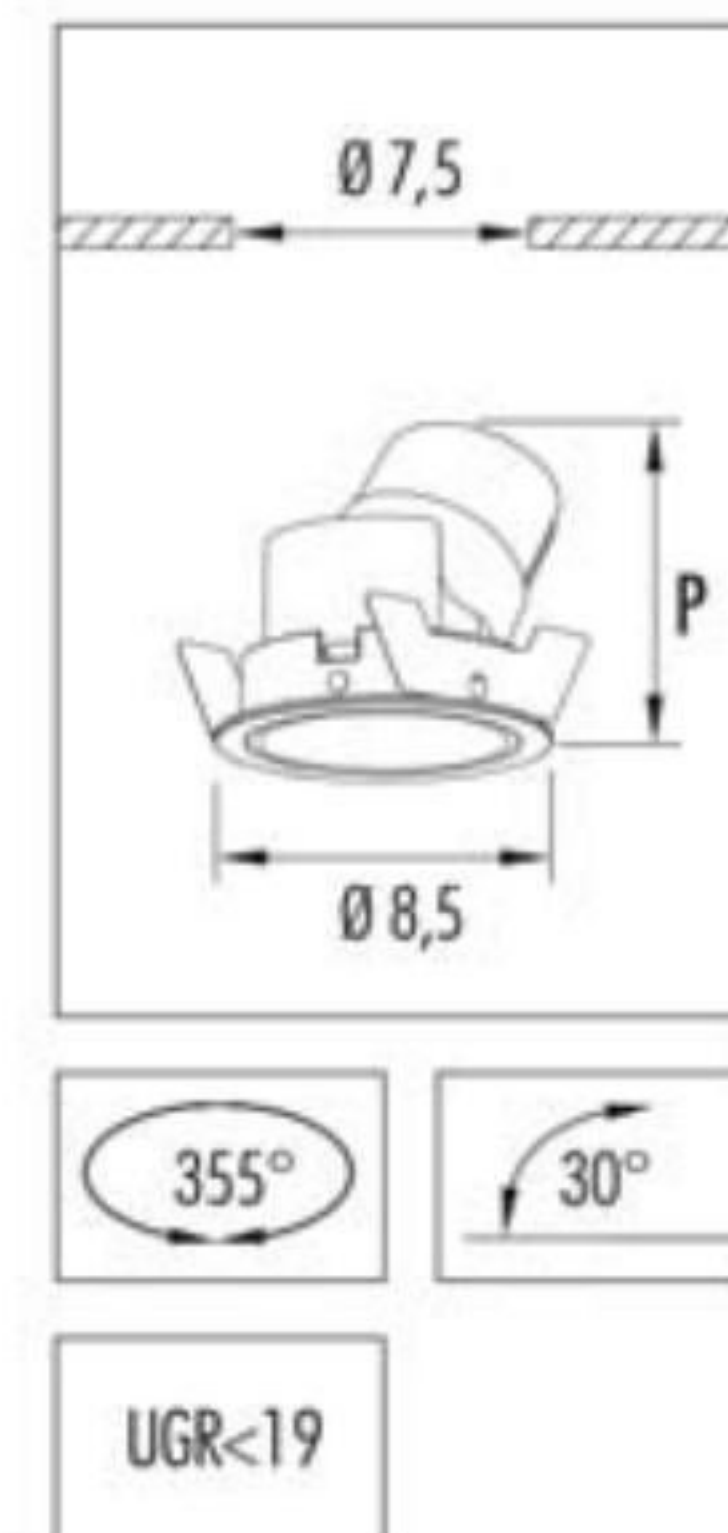
3KIT.900.03 (1-1) 3:00 hours

Honeycomb - Frangiluce

1X00.H50.02 for IP40

1X00.H50.54 for IP54

X2B Ø 8,5 with trim
For plasterboard. Per cartongesso



IP40

220V ÷ 240V

3X2B.210. **GU10** led

IP40 Flicker < 20%

220V ÷ 240V

3X2B.K **LED 9,5W** dimm IGBT - TRIAC

Led color	Nominal lm	Beam spread
2 = 2700K	834	M = 36°
3 = 3000K	877	S = 24°

	X2B	P
3X2B.210.	GU10 led	—
3X2B.K	led 9,5W	13,0

Reflector with BLACK ring – Parabola con anello NERO



22 Black + Black
Nero + Nero



26 Black + White
Nero + Bianco



2H Black + Chrome
Nero + Cromo



2B Black + Black Chrome
Nero + Cromo scuro



2G Black + Gold
Nero + Oro

Honeycomb - Frangiluce

1X00.H50.02 for IP40

1X00.H50.54 for IP54



	X2B	P
3X2B.x2	led 8W	9,2
3X2B.x2	led 8W	9,2
3X2B.x3	led 12,2W	11,7
3X2B.D2 W	led 8W	9,2

Reflector with **WHITE** ring – Parabola con anello **BIANCO**



□ **62** White + Black
Bianco + Nero



□ **66** White + White
Bianco + Bianco



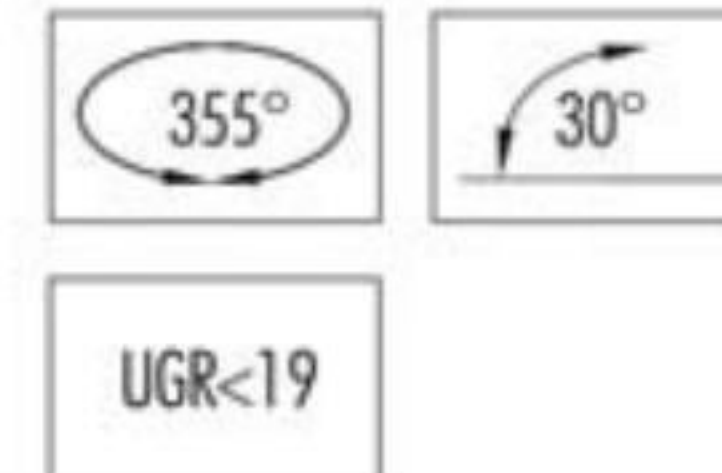
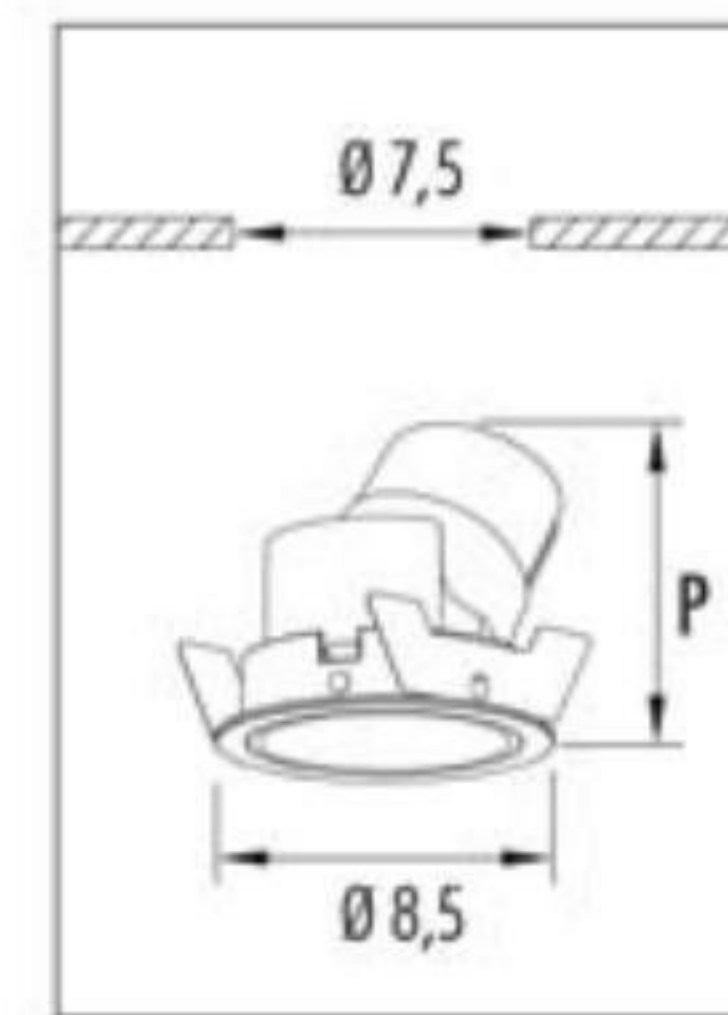
□ **6H** White + Chrome
Bianco + Cromo



□ **6B** White + Black Chrome
Bianco + Cromo scuro



□ **6G** White + Gold
Bianco + Oro



IP40 © MC-E=3 CE V

200m/A **LED 8W** CRI>95 Driver included

3X2B.02 ON/OFF

3X2B.E2 DALI - Push

3X2B.G2 0...10V

3X2B.D2 dimm IGBT - TRIAC

Led color	Nominal lm	Beam spread
2 = 2700K	829	L = 60°
3 = 3000K	872	M = 32°
		S = 24°

IP54 © MC-E=3 CE V

200m/A **LED 8W** CRI>95 Driver included

3X2B.02 ON/OFF

3X2B.E2 DALI - Push

3X2B.G2 0...10V

3X2B.D2 dimm IGBT - TRIAC

Led color	Nominal lm	Beam spread
2 = 2700K	829	L = 60°
3 = 3000K	872	M = 32°
		S = 24°

IP40 © MC-E=3 CE V

350m/A **LED 12,2W** CRI>90 Driver included

3X2B.03 ON/OFF

3X2B.E3 DALI

3X2B.G3 Push - 1...10V

3X2B.D3 dimm IGBT - TRIAC

Led color	Nominal lm	Beam spread
2 = 2700K	1140	M = 36°
3 = 3000K	1170	S = 24°

IP40 © DimToWarm CE V

220V ÷ 240V LED 6W CRI 95 Driver included

3X2B.E2W DALI

3X2B.D2W dimm IGBT - TRIAC

Led color	Nominal lm	Beam spread
W= max 3000K	max 445 lm	M = 30°
min. 1800K	min. 10 lm	S = 18°

Emergency unit: (inverter + battery. Driver not included)

3KIT.900.01 (1-1) 1:00 hour

3KIT.900.03 (1-1) 3:00 hours

X3A Ø 7,0 trimless

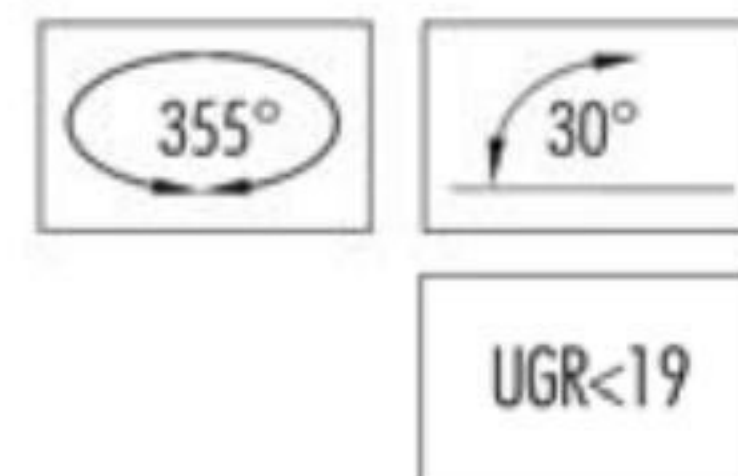
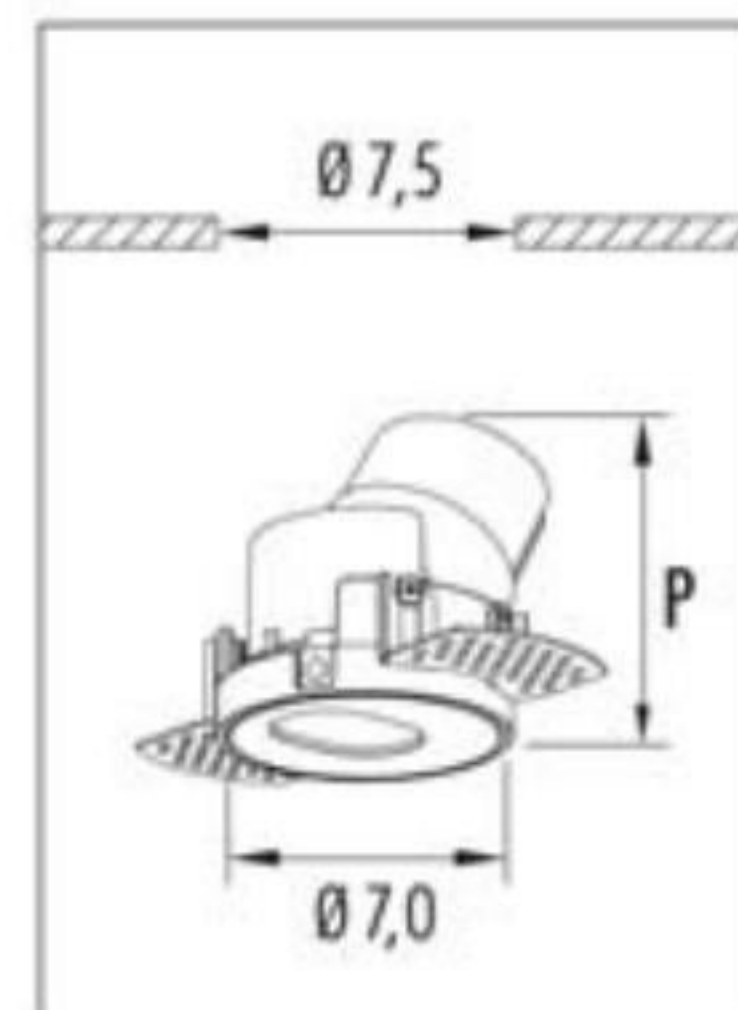


X3A Ø 7,0 trimless

For plasterboard. Per cartongesso



	X3A	P
3X3A.210.□	GU10 led	—
3X3A.K■▲.□	led 9,5W	13,0
3X3A.x2■▲.□	led 8W	9,2
3X3A.x2■▲9□	led 8W	9,2
3X3A.x3■▲.□	led 12,2W	11,7
3X3A.D2W▲.□	led 8W	9,2



IP40 ☒ CE ▽ □

220V ÷ 240V

3X3A.210.06 GU10 led

IP40 Flicker < 20% CE ▽ □

220V ÷ 240V

3X3A.K■▲.06 LED 9,5W dimm IGBT - TRIAC CRI>90

■ Led color	Nominal lm	▲ Beam spread
2 = 2700K	834	M = 36°
3 = 3000K	877	S = 24°

IP40 © MC-E=3 CE ▽ □

200m/A

3X3A.02■▲.06 LED 8W CRI>95 ON/OFF Driver included

3X3A.E2■▲.06 DALI - Push

3X3A.G2■▲.06 0...10V

3X3A.D2■▲.06 dimm IGBT - TRIAC

■ Led color	Nominal lm	▲ Beam spread
2 = 2700K	829	L = 60°
3 = 3000K	872	M = 32°
		S = 24°

IP54 © MC-E=3 CE ▽ □

200m/A

3X3A.02■▲906 LED 8W CRI>95 ON/OFF Driver included

3X3A.E2■▲906 DALI - Push

3X3A.G2■▲906 0...10V

3X3A.D2■▲906 dimm IGBT - TRIAC

■ Led color	Nominal lm	▲ Beam spread
2 = 2700K	829	L = 60°
3 = 3000K	872	M = 32°
		S = 24°

IP40 © MC-E=3 CE ▽ □

350m/A

3X3A.03■▲.06 LED 12,2W CRI>90 ON/OFF Driver included

3X3A.E3■▲.06 DALI

3X3A.G3■▲.06 Push - 1...10V

3X3A.D3■▲.06 dimm IGBT - TRIAC

■ Led color	Nominal lm	▲ Beam spread
2 = 2700K	1140	M = 36°
3 = 3000K	1170	S = 24°

IP40 © DimToWarm CE ▽ □

220V ÷ 240V

3X3A.E2W▲.□ LED 6W CRI 95 DALI Driver included

3X3A.D2W▲.□ dimm IGBT - TRIAC

■ Led color	Nominal lm	▲ Beam spread
W= max 3000K	max 445 lm	M = 30°
min. 1800K	min. 10 lm	S = 18°

Emergency unit: (inverter + battery. Driver not included)

3KIT.900.01 (1-1) 1:00 hour

3KIT.900.03 (1-1) 3:00 hours

Housing - Cassaforma

1X00.0XA.01 Ø 7,5 cm

Honeycomb - Frangiluce

1X00.H50.02 for IP40

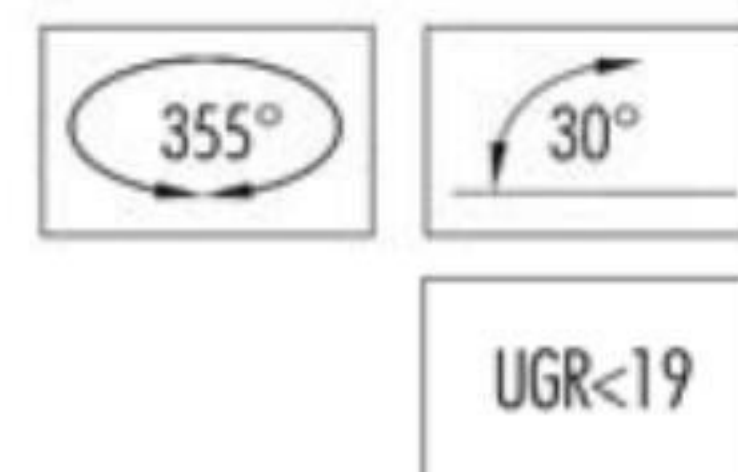
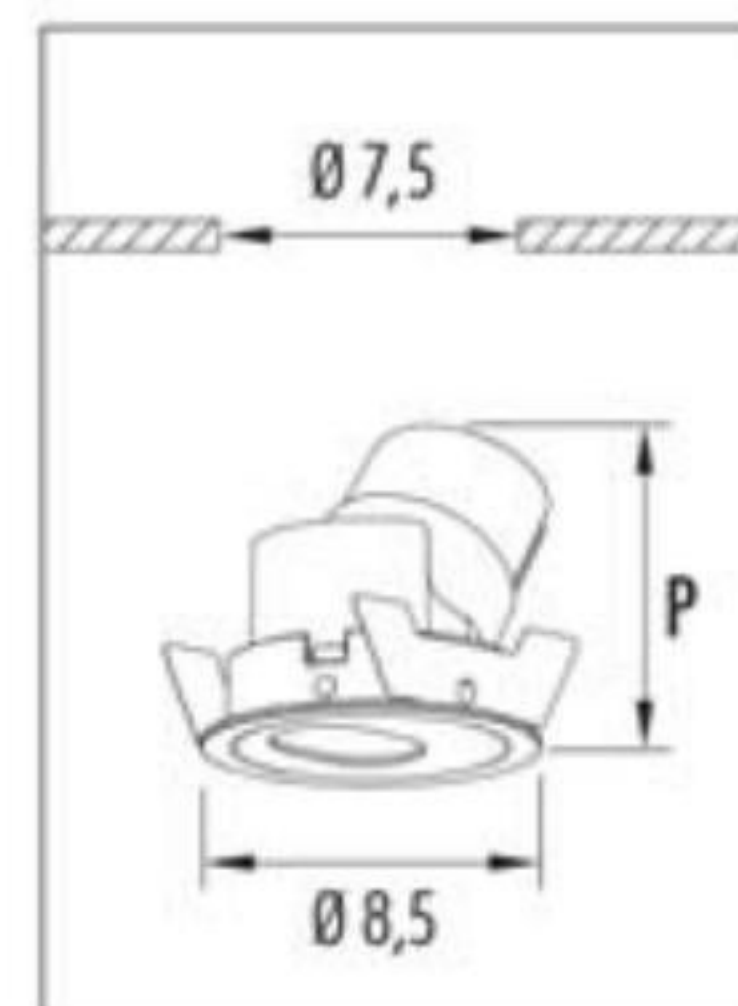
1X00.H50.54 for IP54

X3B Ø 8,5 with trim

For plasterboard. Per cartongesso



	X3B	P
3X3B.210.□	GU10 led	—
3X3B.K■▲.□	led 9,5W	13,0
3X3B.x2■▲.□	led 8W	9,2
3X3B.x2■▲9□	led 8W	9,2
3X3B.x3■▲.□	led 12,2W	11,7
3X3B.D2W▲.□	led 8W	9,2



IP40 ☒ CE ▽ □

220V ÷ 240V

3X3B.210.06 GU10 led

IP40 Flicker < 20% CE ▽ □

220V ÷ 240V

3X3B.K■▲.06 LED 9,5W dimm IGBT - TRIAC CRI>90

Led color	Nominal lm	Beam spread
2 = 2700K	834	M = 36°
3 = 3000K	877	S = 24°

IP40 © MC-E=3 CE ▽ □

200m/A

3X3B.02■▲.06 LED 8W CRI>95 Driver included ON/OFF

3X3B.E2■▲.06 DALI - Push

3X3B.G2■▲.06 0...10V

3X3B.D2■▲.06 dimm IGBT - TRIAC

Led color	Nominal lm	Beam spread
2 = 2700K	829	L = 60°
3 = 3000K	872	M = 32°
		S = 24°

IP54 © MC-E=3 CE ▽ □

200m/A

3X3B.02■▲906 LED 8W CRI>95 Driver included ON/OFF

3X3B.E2■▲906 DALI - Push

3X3B.G2■▲906 0...10V

3X3B.D2■▲906 dimm IGBT - TRIAC

Led color	Nominal lm	Beam spread
2 = 2700K	829	L = 60°
3 = 3000K	872	M = 32°
		S = 24°

IP40 © MC-E=3 CE ▽ □

350m/A

3X3B.03■▲.06 LED 12,2W CRI>90 Driver included ON/OFF

3X3B.E3■▲.06 DALI

3X3B.G3■▲.06 Push - 1...10V

3X3B.D3■▲.06 dimm IGBT - TRIAC

Led color	Nominal lm	Beam spread
2 = 2700K	1140	M = 36°
3 = 3000K	1170	S = 24°

IP40 © DimToWarm CE ▽ □

220V ÷ 240V

3X3B.E2W▲.□ LED 6W CRI 95 Driver included DALI

3X3B.D2W▲.□ dimm IGBT - TRIAC

Led color	Nominal lm	Beam spread
W= max 3000K	max 445 lm	M = 30°
min. 1800K	min. 10 lm	S = 18°

Honeycomb - Frangiluce

1X00.H50.02 for IP40

1X00.H50.54 for IP54

Emergency unit: (inverter + battery. Driver not included)

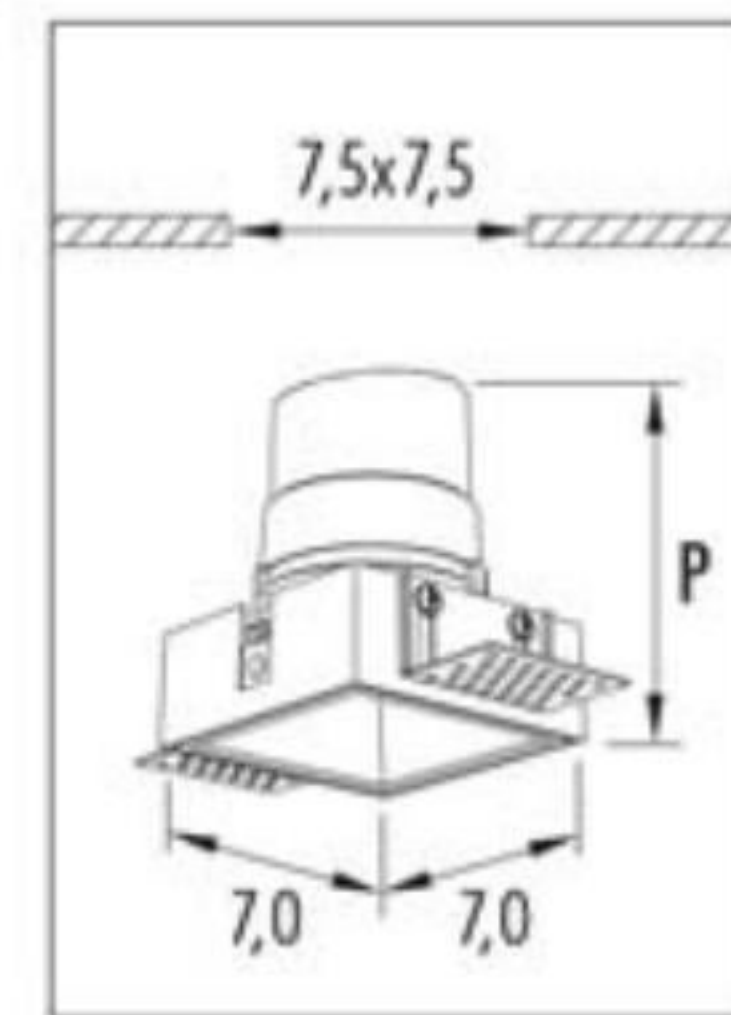
3KIT.900.01 (1-1) 1:00 hour

3KIT.900.03 (1-1) 3:00 hours

X4A 7,0 x 7,0 trimless



X4A 7,0 x 7,0 trimless
For plasterboard. Per cartongesso



UGR<19

IP40		CE	V	□
220V ÷ 240V				
3X4A.210. □	GU10 led			
IP40	Flicker < 20%	CE	V	□
220V ÷ 240V	LED 9,5W	CRI>90		
3X4A.K ■▲.□	dimm IGBT - TRIAC			
■ Led color	Nominal lm	▲ Beam spread		
2 = 2700K	834	M = 36°		
3 = 3000K	877	S = 24°		

	X4A	P
3X4A.210.□	GU10 led	—
3X4A.K■▲.□	led 9,5W	13,0



□ **02** Black - Nero



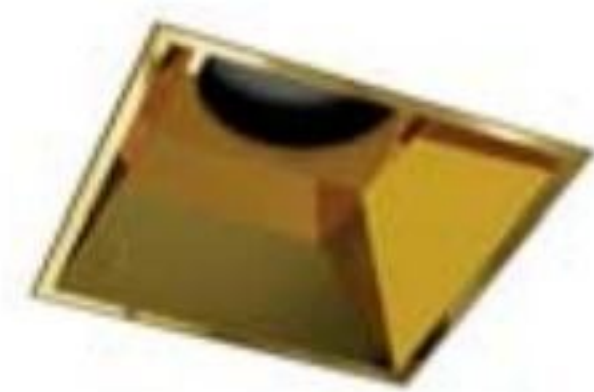
□ **06** White - Bianco



□ **CH** Chrome - Cromo



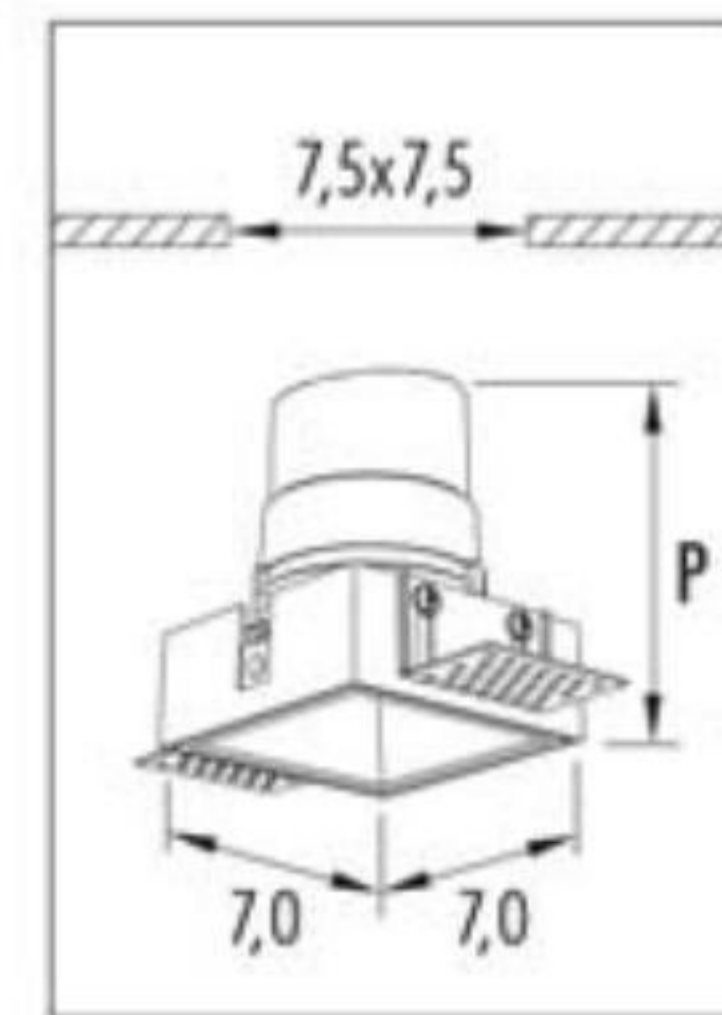
□ **CB** Black Chrome
Cromo scuro



□ **GD** Gold - Oro

Housing - Cassaforma 7,4x7,4cm

TX00.04A.01



UGR<19

	X4A	P
3X4A.x2	led 8W	9,2
3X4A.x2	led 8W	9,2
3X4A.x3	led 12,2W	11,7
3X4A.D2 W	led 8W	9,2

Honeycomb - Frangiluce

1X00.H50.02	for IP40
1X00.H50.54	for IP54

IP40 © MC-E=3 CE V

200m/A LED 8W CRI>95 Driver included

3X4A.02 ON/OFF

3X4A.E2 DALI - Push

3X4A.G2 0...10V

3X4A.D2 dimm IGBT - TRIAC

Led color	Nominal lm	Beam spread
2 = 2700K	829	L = 60°
3 = 3000K	872	M = 32°
		S = 24°

IP54 © MC-E=3 CE V

200m/A LED 8W CRI>95 Driver included

Available ONLY with black or white reflector

Disponibile SOLO con parabola nera o bianca

3X4A.02 ON/OFF

3X4A.E2 DALI - Push

3X4A.G2 0...10V

3X4A.D2 dimm IGBT - TRIAC

Led color	Nominal lm	Beam spread
2 = 2700K	829	L = 60°
3 = 3000K	872	M = 32°
		S = 24°

IP40 © MC-E=3 CE V

350m/A LED 12,2W CRI>90 Driver included

3X4A.03 ON/OFF

3X4A.E3 DALI

3X4A.G3 Push - 1...10V

3X4A.D3 dimm IGBT - TRIAC

Led color	Nominal lm	Beam spread
2 = 2700K	1140	M = 36°
3 = 3000K	1170	S = 24°

IP40 © DimToWarm CE V

220V ÷ 240V LED 6W CRI 95 Driver included

3X4A.E2W DALI

3X4A.D2W dimm IGBT - TRIAC

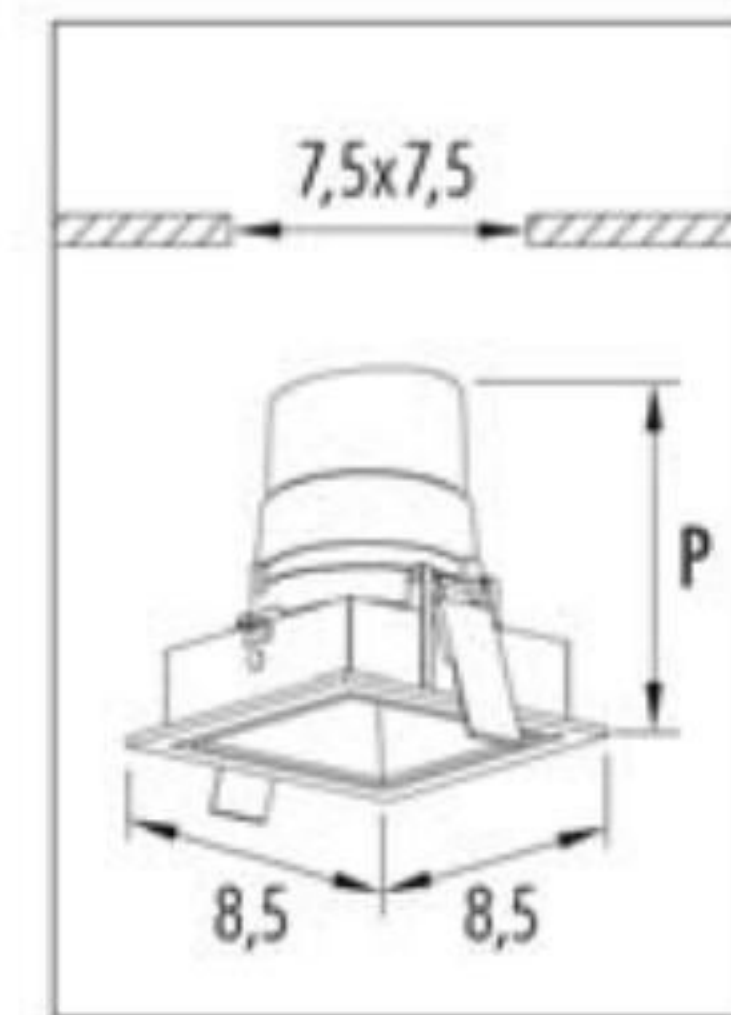
Led color	Nominal lm	Beam spread
W= max 3000K	max 445 lm	M = 30°
min. 1800K	min. 10 lm	S = 18°

Emergency unit: (inverter + battery. Driver not included)

3KIT.900.01 (1-1) 1:00 hour

3KIT.900.03 (1-1) 3:00 hours

X4B 8,5 x 8,5 with trim
For plasterboard. Per cartongesso



UGR<19

IP40		CE	V	□	
220V ÷ 240V	3X4B.210. □	GU10 led			
IP40		Flicker < 20%	CE	V	□
220V ÷ 240V	3X4B.K ■▲.□	LED 9,5W dimm IGBT - TRIAC	CRI>90		
■ Led color	Nominal lm	▲ Beam spread			
2 = 2700K	834	M = 36°			
3 = 3000K	877	S = 24°			

	X4B	P
3X4B.210.□	GU10 led	—
3X4B.K■▲.□	led 9,5W	13,0

Reflector with square BLACK frame – Parabola con bordo NERO



□ **22** Black + Black
Nero + Nero



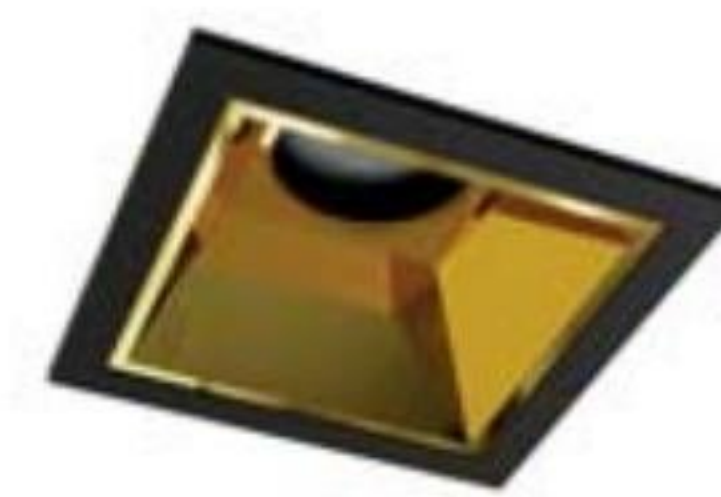
□ **26** Black + White
Nero + Bianco



□ **2H** Black + Chrome
Nero + Cromo



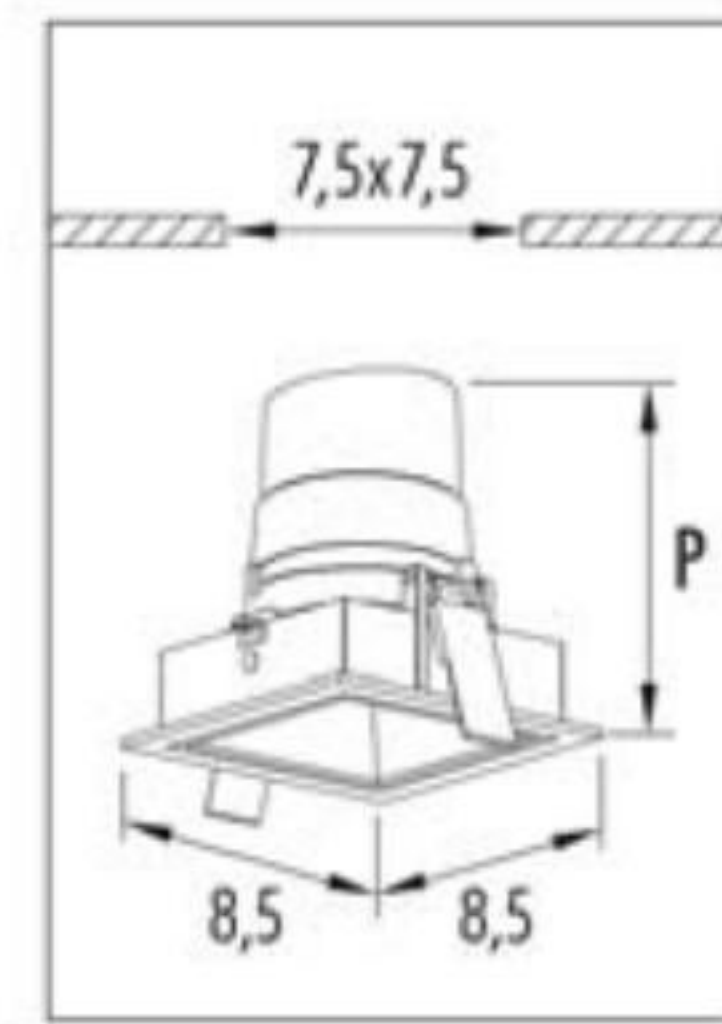
□ **2B** Black + Black Chrome
Nero + Cromo scuro



□ **2G** Black + Gold
Nero + Oro

Honeycomb - Frangiluce

1X00.H50.02	for IP40
1X00.H50.54	for IP54



UGR<19

	X4B	P
3X4B.x2	led 8W	9,2
3X4B.x2	led 8W	9,2
3X4B.x3	led 12,2W	11,7
3X4B.D2 W	led 8W	9,2

Reflector with square WHITE frame – Parabola con bordo BIANCO



62 White + Black
Bianco + Nero



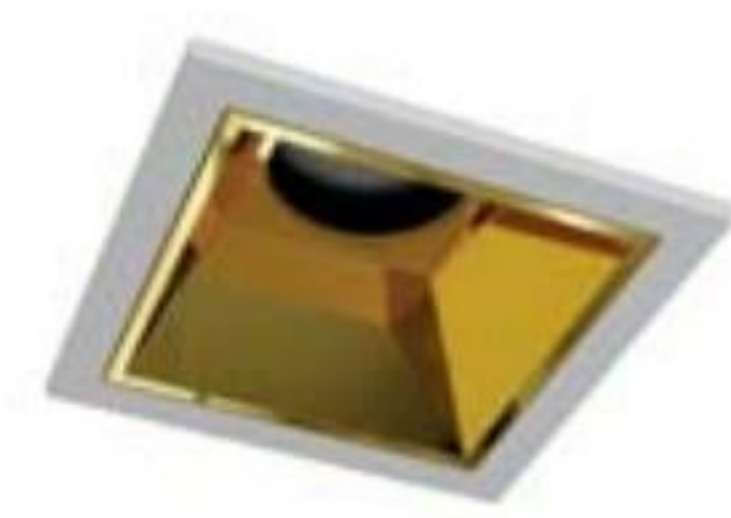
66 White + White
Bianco + Bianco



6H White + Chrome
Bianco + Cromo



6B White + Black Chrome
Bianco + Cromo scuro



6G White + Gold
Bianco + Oro

IP40 © MC-E=3 CE V

200m/A LED 8W CRI>95 Driver included

3X4B.02 ON/OFF

3X4B.E2 DALI - Push

3X4B.G2 0...10V

3X4B.D2 dimm IGBT - TRIAC

Led color	Nominal lm	Beam spread
2 = 2700K	829	L = 60°
3 = 3000K	872	M = 32°
		S = 24°

IP54 © MC-E=3 CE V

200m/A LED 8W CRI>95 Driver included

Available ONLY with black or white reflector

Disponibile SOLO con parabola nera o bianca

3X4B.02 ON/OFF

3X4B.E2 DALI - Push

3X4B.G2 0...10V

3X4B.D2 dimm IGBT - TRIAC

Led color	Nominal lm	Beam spread
2 = 2700K	829	L = 60°
3 = 3000K	872	M = 32°
		S = 24°

IP40 © MC-E=3 CE V

350m/A LED 12,2W CRI>90 Driver included

3X4B.03 ON/OFF

3X4B.E3 DALI

3X4B.G3 Push - 1...10V

3X4B.D3 dimm IGBT - TRIAC

Led color	Nominal lm	Beam spread
2 = 2700K	1140	M = 36°
3 = 3000K	1170	S = 24°

IP40 © DimToWarm CE V

220V ÷ 240V LED 6W CRI 95 Driver included

3X4B.E2W DALI

3X4B.D2W dimm IGBT - TRIAC

Led color	Nominal lm	Beam spread
W= max 3000K min. 1800K	max 445 lm min. 10 lm	M = 30° S = 18°

Emergency unit: (inverter + battery. Driver not included)

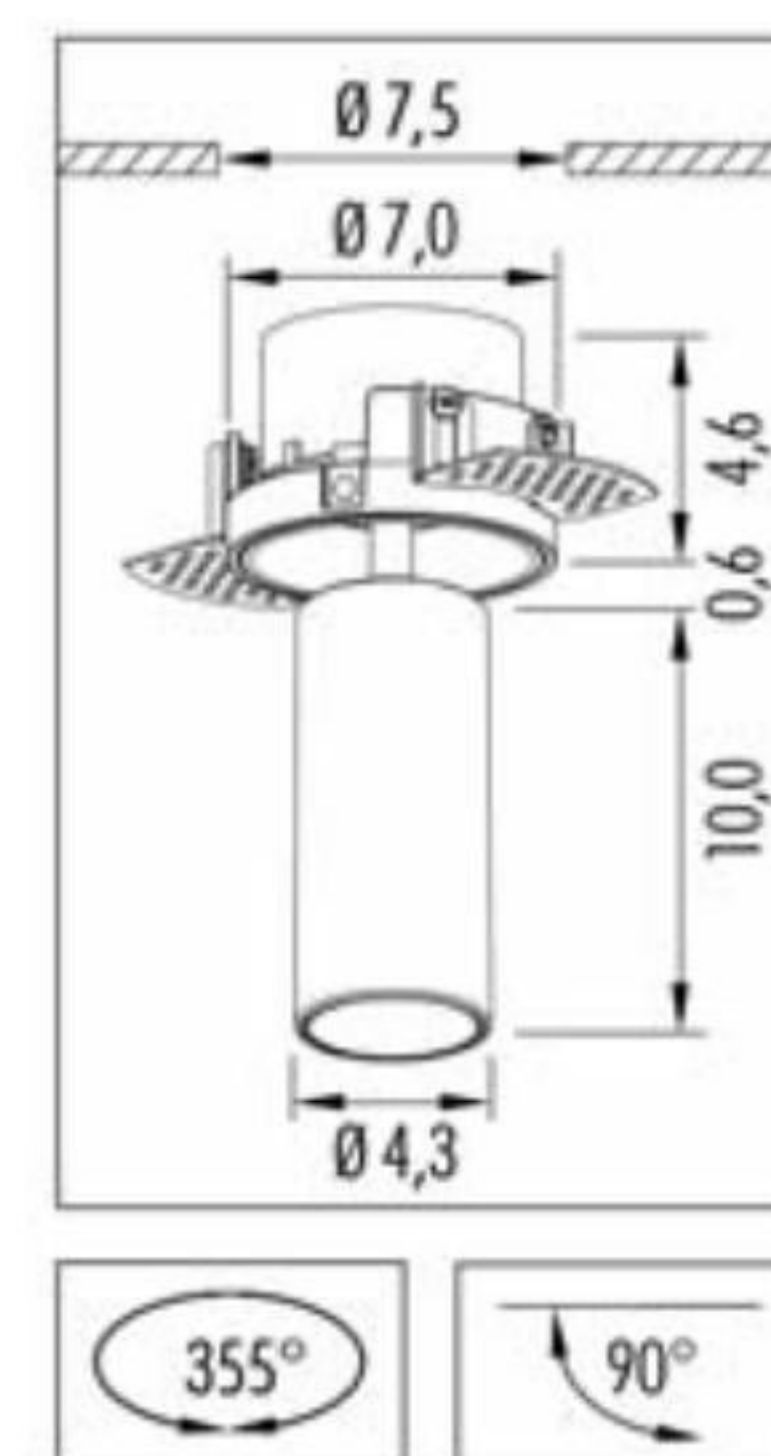
3KIT.900.01 (1-1) 1:00 hour

3KIT.900.03 (1-1) 3:00 hours

GUN 2A Ø 4,3 trimless



GUN 2A Ø 4,3 trimless
For plasterboard. Per cartongesso



IP40 © MC-E=3 CE V

200m/A LED 8W CRI>95 Driver included

3G2A.02 ■ M. □ ON/OFF

3G2A.E2 ■ M. □ DALI - Push

3G2A.G2 ■ M. □ 0...10V

3G2A.D2 ■ M. □ dimm IGBT - TRIAC

Led color	Nominal lm	Beam spread
2 = 2700K	829	36°
3 = 3000K	872	



Option: Cross Anti-glare Ring
Anello anti abbagliamento a croce

1XG1.C43.02

□ Frame - Struttura

02 ● Black - Nero

06 ○ White - Bianco

Housing - Cassaforma Ø 7,5 cm

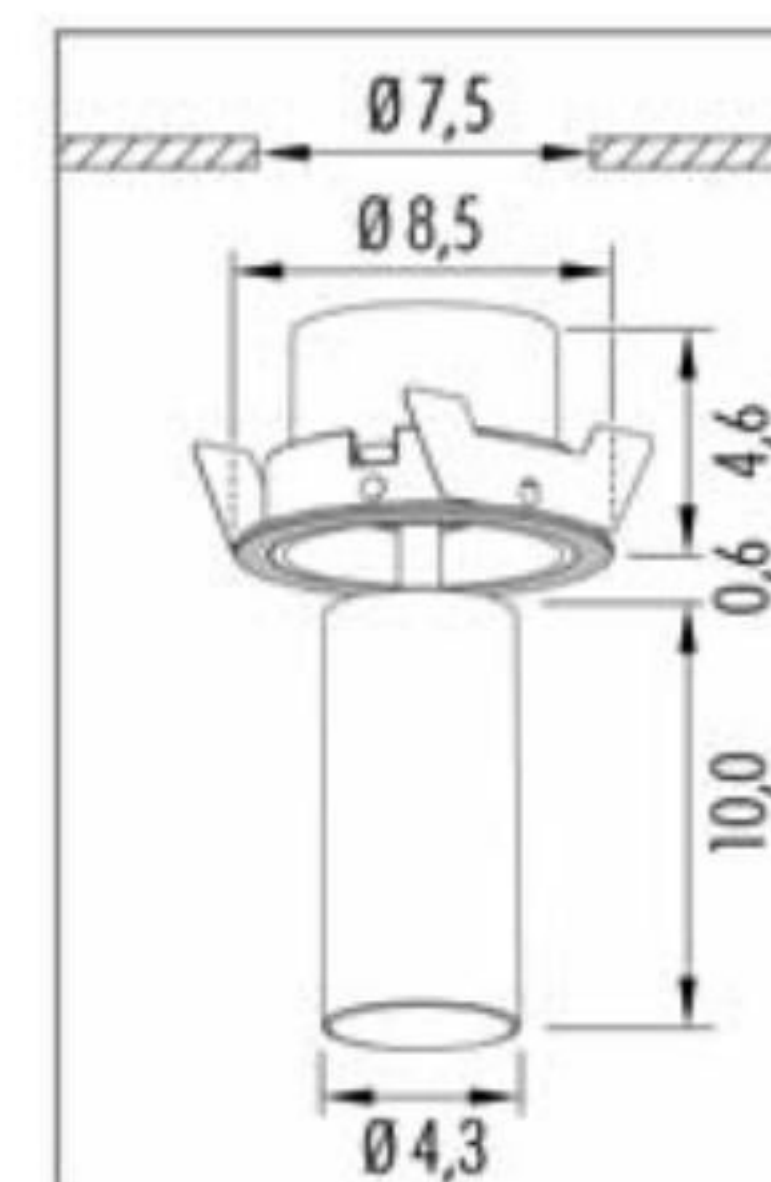
1X00.0XA.01



Standard:
X - Gun is supplied with Anti-glare Ring
X - Gun è fornito di anello anti abbagliamento

GUN 2B Ø 4,3 with trim

For plasterboard. Per cartongesso



IP40 © MC-E=3 CE V

200m/A LED 8W CRI>95 Driver included

3G2B.02 ■ M. □ ON/OFF

3G2B.E2 ■ M. □ DALI - Push

3G2B.G2 ■ M. □ 0...10V

3G2B.D2 ■ M. □ dimm IGBT - TRIAC

Led color	Nominal lm	Beam spread
2 = 2700K	829	36°
3 = 3000K	872	



Option: Cross Anti-glare Ring
Anello anti abbagliamento a croce

1XG1.C43.02

□ Frame - Struttura

22 ● Black - Nero

66 ○ White - Bianco



Standard:

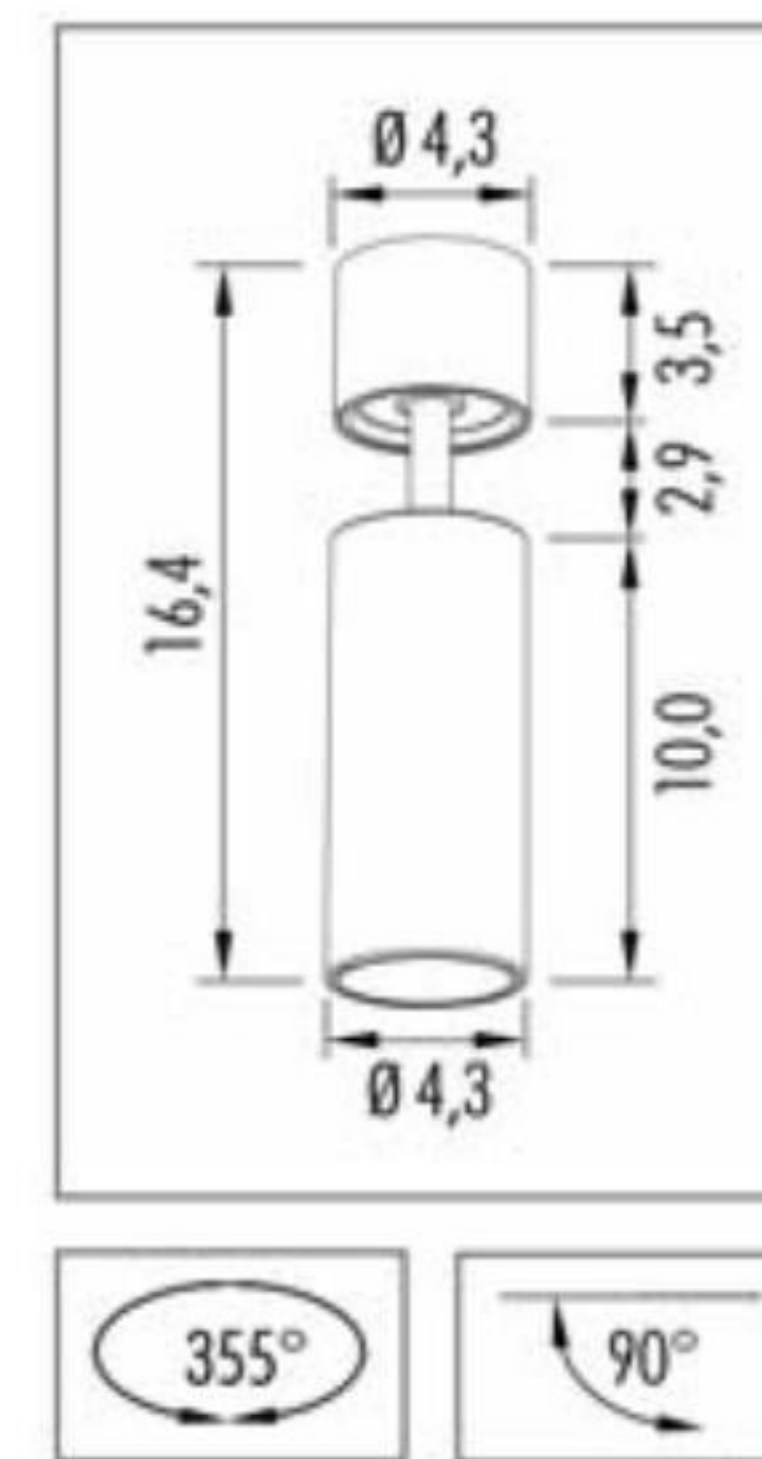
X - Gun is supplied with Anti-glare Ring

X - Gun è fornito di anello anti abbagliamento

GUN 2C $\emptyset 4,3$



GUN 2C/2W Ø 4,3
wall/ceiling - parete/plafone



IP40 © MC-E=3 CE V

200m/A **LED 8W** CRI>95 Driver included
wall/ceiling - parete/plafone - Driver: remote installation - in remoto

- 3G2C.02** ■ M. ON/OFF
3G2C.E2 ■ M. DALI - Push
3G2C.G2 ■ M. 0...10V
3G2C.D2 ■ M. dimm IGBT - TRIAC

■ Led color	Nominal lm	▲ Beam spread
2 = 2700K	829	36°
3 = 3000K	872	

IP40 © MC-E=3 CE V

120m/A **LED 4W** CRI>95 Driver included
wall - parete - Driver: remote installation - in remoto

- 3G2W.02** ■ M. ON/OFF
3G2W.G2 ■ M. 0...10V
3G2W.D2 ■ M. dimm IGBT - TRIAC

■ Led color	Nominal lm	▲ Beam spread
2 = 2700K	496	36°
3 = 3000K	532	

Frame - Struttura

02 ● Black - Nero

06 ○ White - Bianco



Option: Cross Anti-glare Ring
Anello anti abbagliamento a croce

1XG1.C43.02



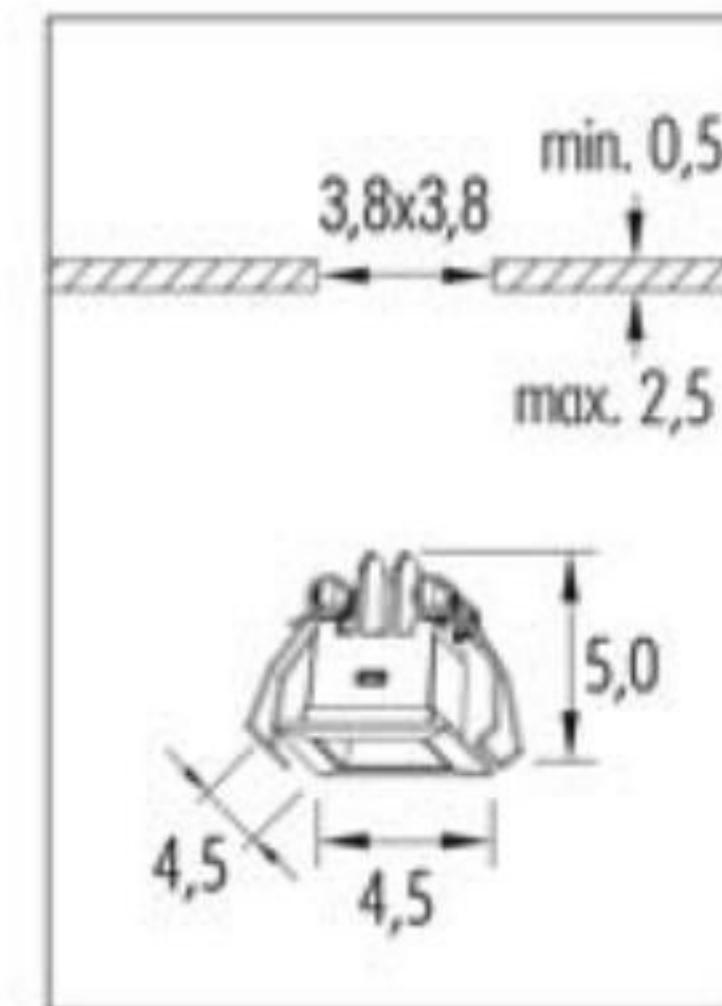
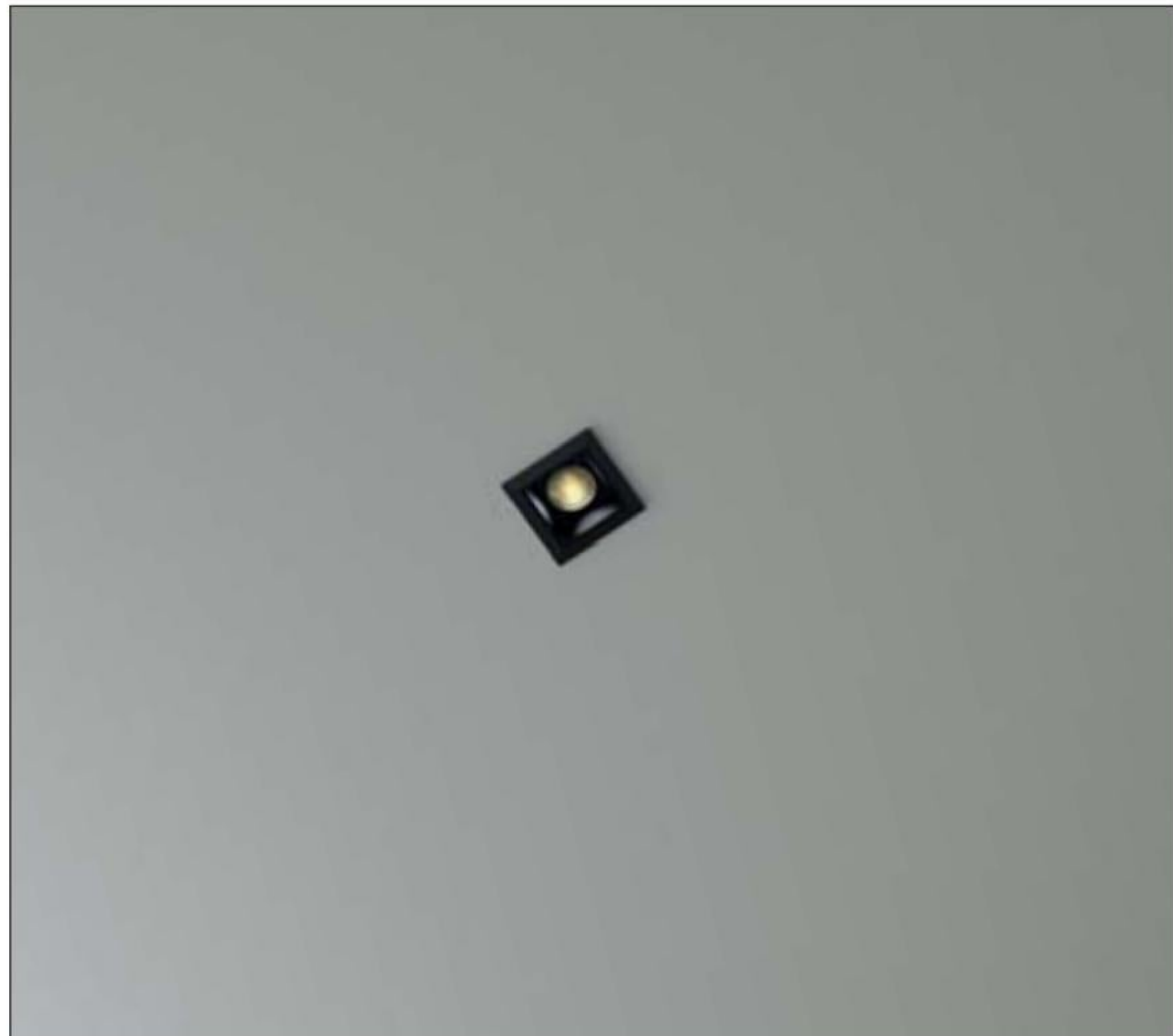
Standard:
X - Gun is supplied with Anti-glare Ring
X - Gun è fornito di anello anti abbagliamento



X5B with trim



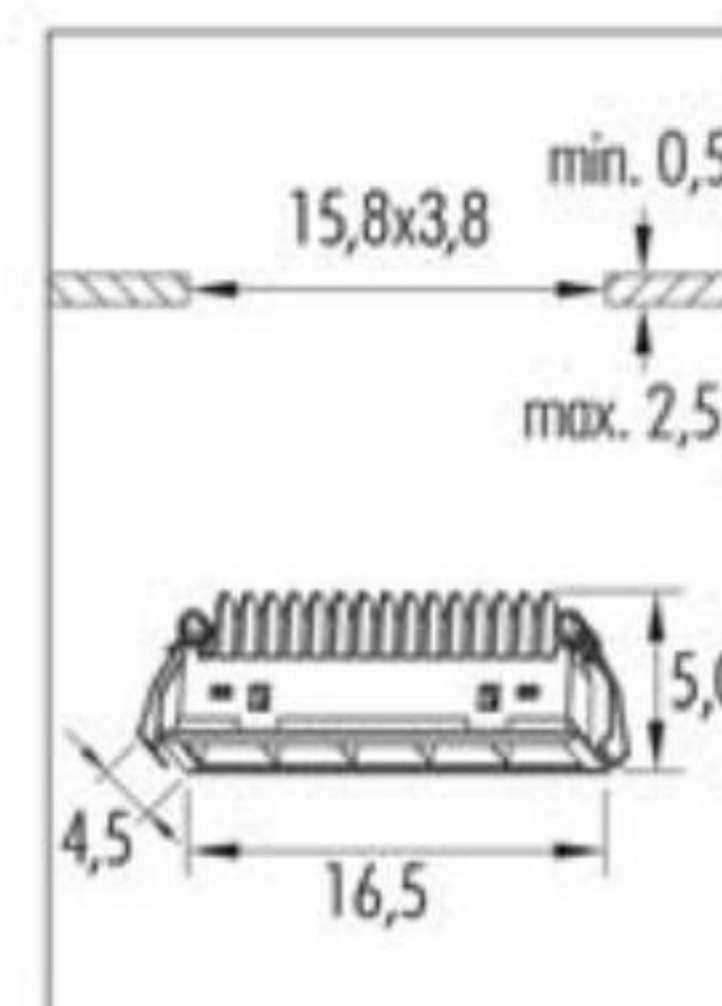
X5B 4,5 x 4,5 with trim
For plasterboard. Per cartongesso



UGR<19

IP20	©	MC-E=3	CE	▽	◇
700m/A		LED 3W	CRI>95	Driver included	
3X5B.01	S.02	ON/OFF			
3X5B.F1	S.02	DALI Push 0/1...10V <i>On request</i>			
■ Led color		Nominal lm	▲ Beam spread		
2 = 2700K		180	S = 22°		
3 = 3000K		193			

X5B 16,5 x 4,5 with trim
For plasterboard. Per cartongesso



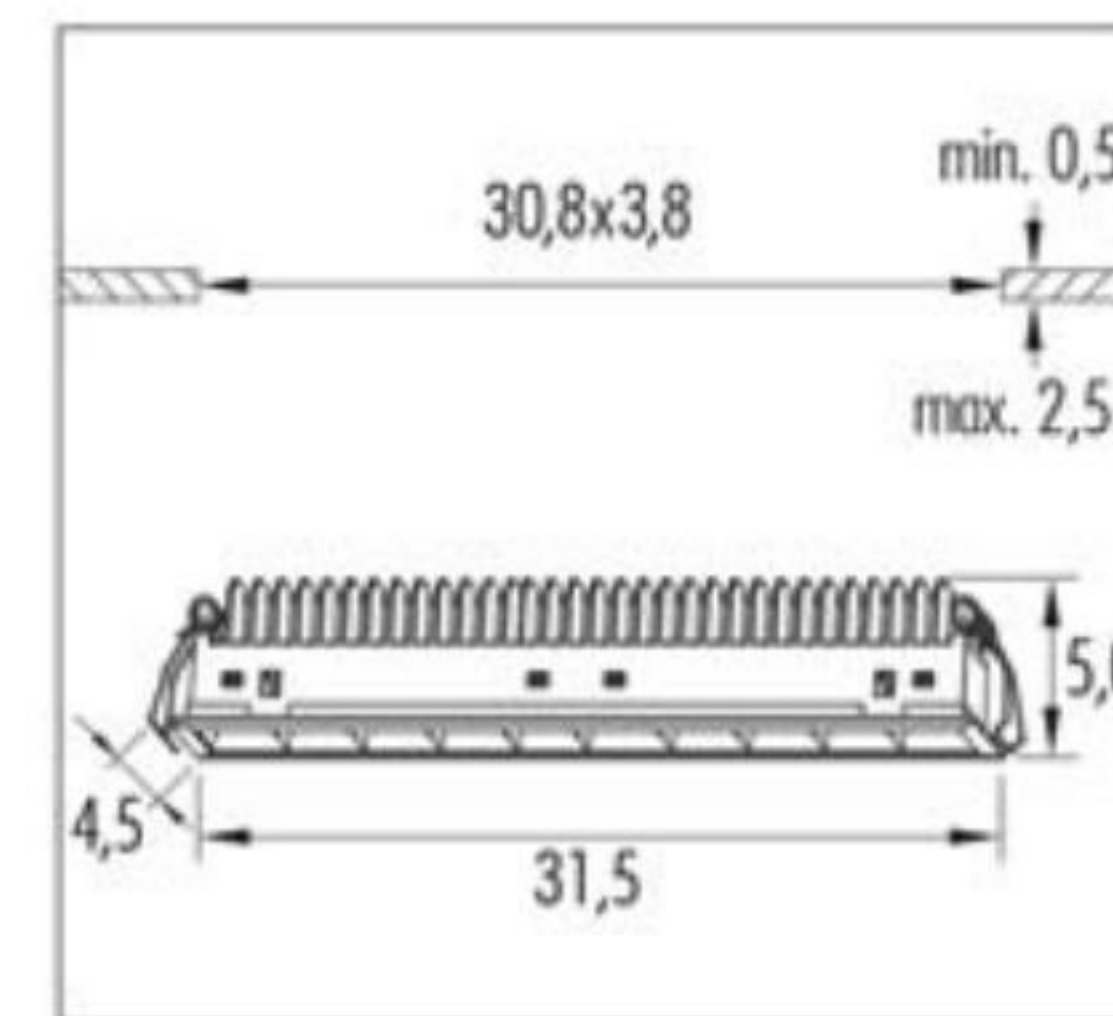
UGR<19

IP20	©	MC-E=3	CE	▽	◇
700m/A		LED 5x2W	CRI>95	Driver included	
3X5B.02	▲.02	ON/OFF			
3X5B.E2	▲.02	DALI - Push			
3X5B.G2	▲.02	0/1...10V			
■ Led color		Nominal lm	▲ Beam spread		
2 = 2700K		900	M = 50°		
3 = 3000K		965	S = 22°		

Optical lens - Ottica:
PMMA material - Lente in PMMA

X5B 31,5 x 4,5 with trim

For plasterboard. Per cartongesso



UGR<19

IP20 © MC-E=3 CE V

700m/A LED 10x2W CRI>95 Driver included

3X5B.03 ■ ▲ .02 ON/OFF

3X5B.E3 ■ ▲ .02 DALI - Push

3X5B.G3 ■ ▲ .02 0/1...10V

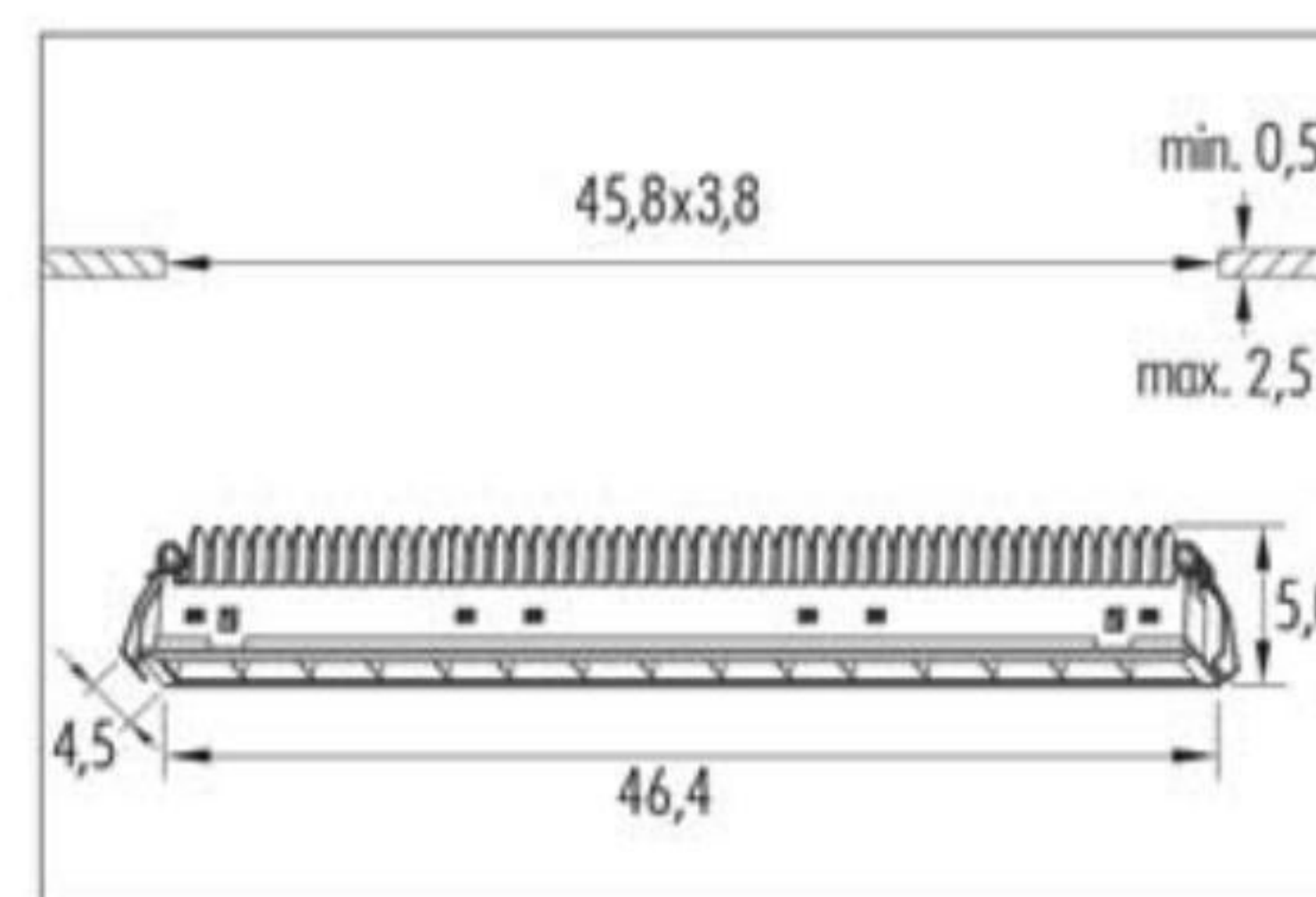
■ Led color Nominal lm ▲ Beam spread

2 = 2700 °K 900 M = 50°

3 = 3000 °K 965 S = 22°

X5B 46,4 x 4,5 with trim

For plasterboard. Per cartongesso



UGR<19

IP20 © MC-E=3 CE V

700m/A LED 15x2W CRI>95 Driver included

3X5B.04 ■ ▲ .02 ON/OFF

3X5B.E4 ■ ▲ .02 DALI - Push

3X5B.G4 ■ ▲ .02 0/1...10V

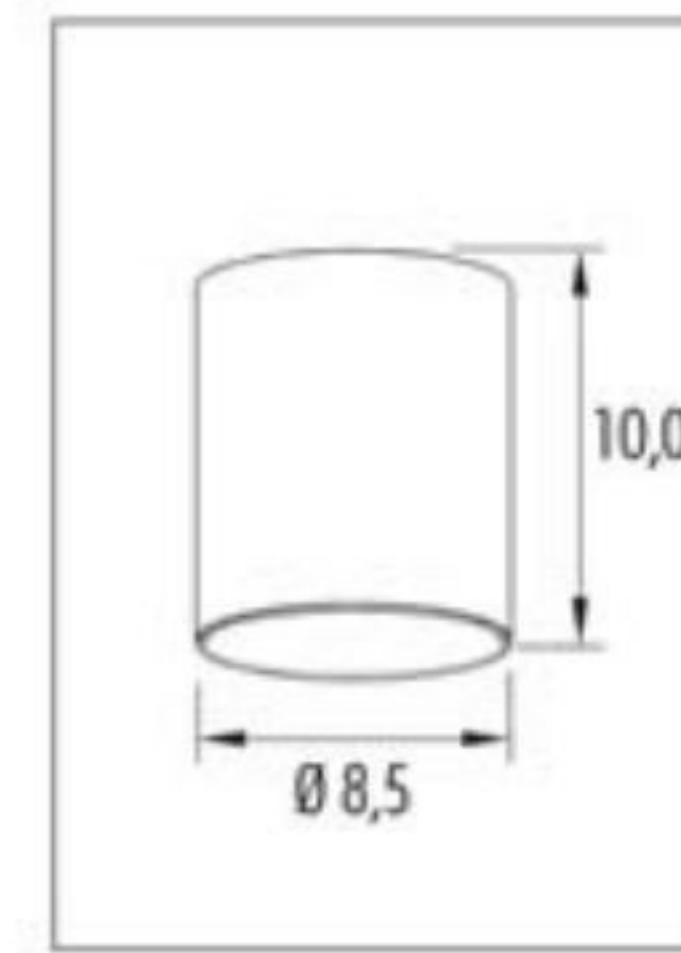
■ Led color Nominal lm ▲ Beam spread

2 = 2700 °K 1350 M = 50°

3 = 3000 °K 1448 S = 22°

Optical lens - Ottica:
PMMA material - Lente in PMMA

X7R Ø 8,5
Ceiling - Plafone



UGR<19

IP20 ©	MC-E=3	CE ▽
220V ÷ 240V	LED 10W	CRI>95
3X7R.H2 ■ ▲ □ dimm IGBT - TRIAC		
■ Led color	Nominal lm	▲ Beam spread
2 = 2700K	1042	L = 50°
3 = 3000K	1096	S = 24°

Honeycomb - Frangiluce

1X07.H50.02



□ **22** Black + Black
Nero + Nero



□ **26** Black + White
Nero + Bianco



□ **2H** Black + Chrome
Nero + Cromo



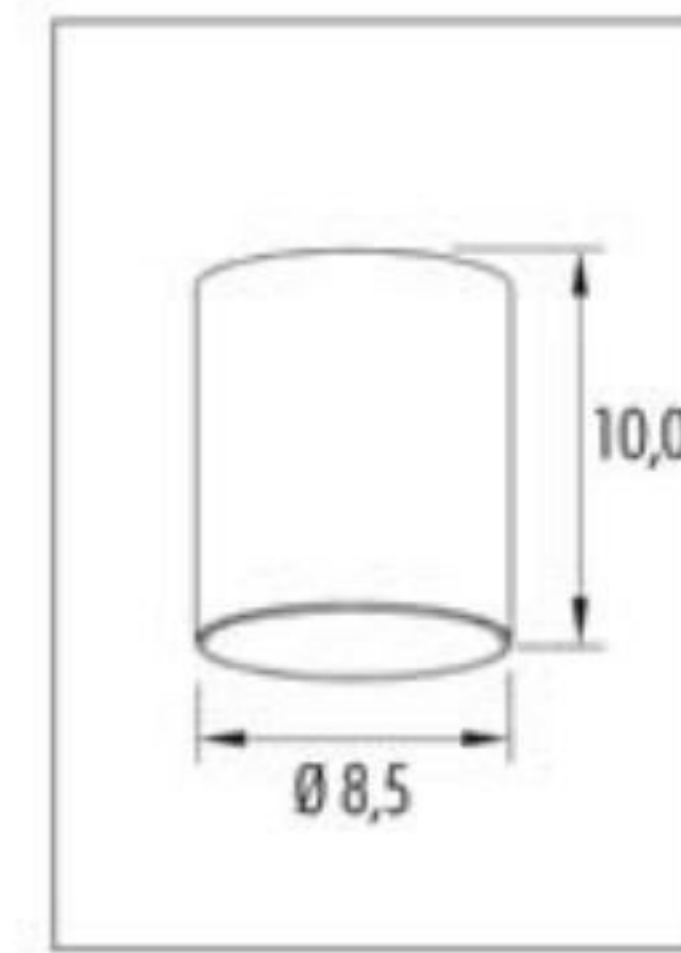
□ **2B** Black + Black Chrome
Nero + Cromo scuro



□ **2G** Black + Gold
Nero + Oro



X7R Ø 8,5
Ceiling - Plafone



UGR<19

IP20 ©	MC-E=3	CE ▽
220V ÷ 240V	LED 10W	CRI>95
3X7R.H2 ■ ▲ □ dimm IGBT - TRIAC		
■ Led color	Nominal lm	▲ Beam spread
2 = 2700K	1042	L = 50°
3 = 3000K	1096	S = 24°

Honeycomb - Frangiluce

1X07.H50.02



□ **62** White + Black
Bianco + Nero



□ **66** White + White
Bianco + Bianco



□ **6H** White + Chrome
Bianco + Cromo



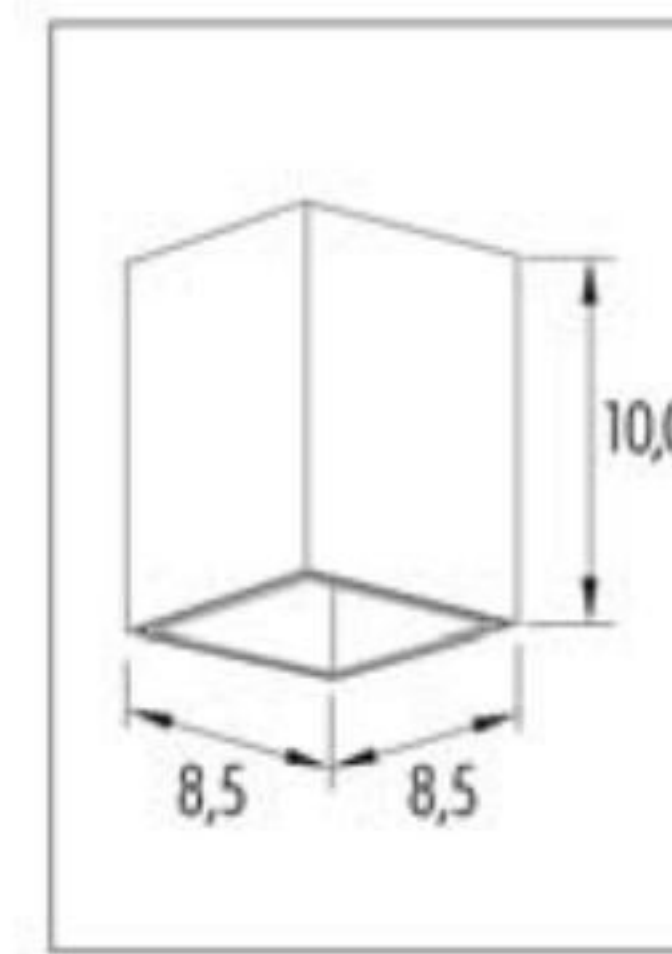
□ **6B** White + Black Chrome
Bianco + Cromo scuro



□ **6G** White + Gold
Bianco + Oro



X7C 8,5 x 8,5
Ceiling - Plafone



UGR<19

IP20 ©	MC-E=3	CE ▽
220V ÷ 240V	LED 10W	CRI>95
3X7C.H2 ■ ▲ □ dimm IGBT - TRIAC		
■ Led color	Nominal lm	▲ Beam spread
2 = 2700K	1042	L = 50°
3 = 3000K	1096	S = 24°

Honeycomb - Frangiluce

1X07.H50.02



□ **22** Black + Black
Nero + Nero



□ **26** Black + White
Nero + Bianco



□ **2H** Black + Chrome
Nero + Cromo



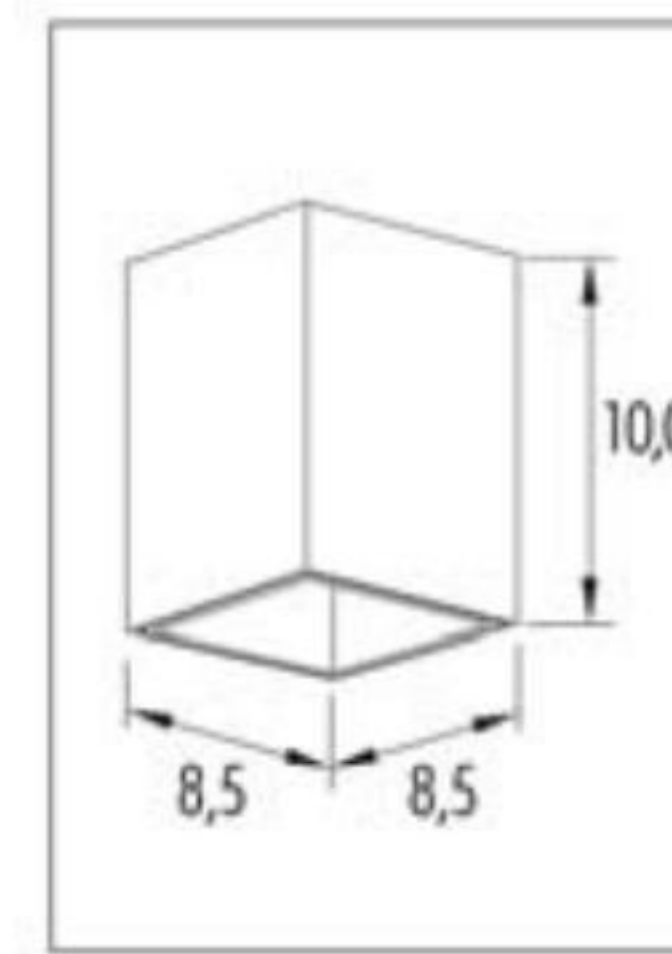
□ **2B** Black + Black Chrome
Nero + Cromo scuro



□ **2G** Black + Gold
Nero + Oro



X7C 8,5 x 8,5
Ceiling - Plafone



UGR<19

IP20 ©	MC-E=3	CE ▽
220V ÷ 240V	LED 10W	CRI>95
3X7C.H2 ■ ▲ □ dimm IGBT - TRIAC		
■ Led color	Nominal lm	▲ Beam spread
2 = 2700K	1042	L = 50°
3 = 3000K	1096	S = 24°

Honeycomb - Frangiluce

1X07.H50.02



□ **62** White + Black
Bianco + Nero



□ **66** White + White
Bianco + Bianco



□ **6H** White + Chrome
Bianco + Cromo



□ **6B** White + Black Chrome
Bianco + Cromo scuro



□ **6G** White + Gold
Bianco + Oro



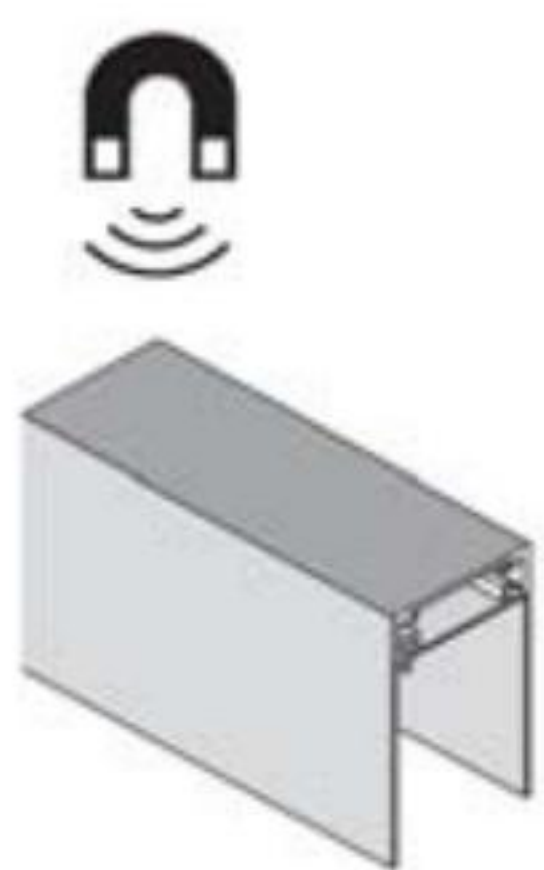
*X - Rail 48V magnet track system
sistema a binario magnetico*

X-Rail is a magnet track system with low voltage of 48V, available in the following versions: recessed trimless (only for plasterboard), surface or pendant. The 4 track conductors can be used for an on/off power supply circuit, or for a dimmable "Noise Free" circuit, as described in the wiring schemes.

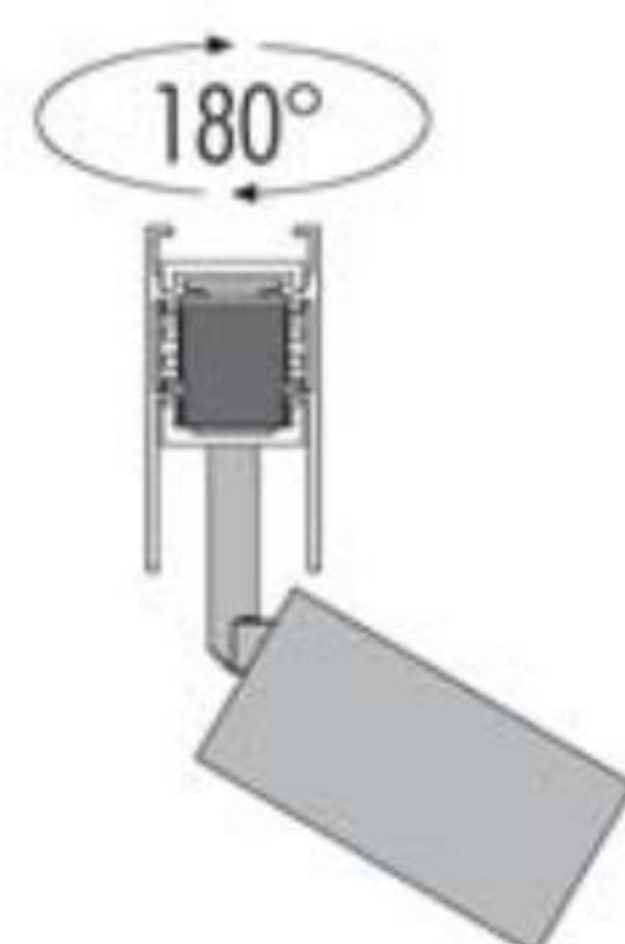
X-Gun, X-Dark, X-Line and X-Pendant products are suitable for different needs of lighting. They are fixed into the X-Rail profile by the magnet and the click safety lock.

X-Rail è un sistema a binario magnetico a 48V, disponibile nella versione ad incasso senza bordo (solo per cartongesso), a plafone ed a sospensione. I 4 conduttori del binario possono essere utilizzati per l'accensione on/off, oppure per una dimmerazione "Noise Free", come da schemi di cablaggio. I prodotti X-Gun, X-Dark, X-Line ed X-Sospensioni soddisfano diverse tipologie di illuminazione, e si installano al binario X-Rail attraverso il magnete ed un ulteriore dispositivo meccanico di sicurezza.

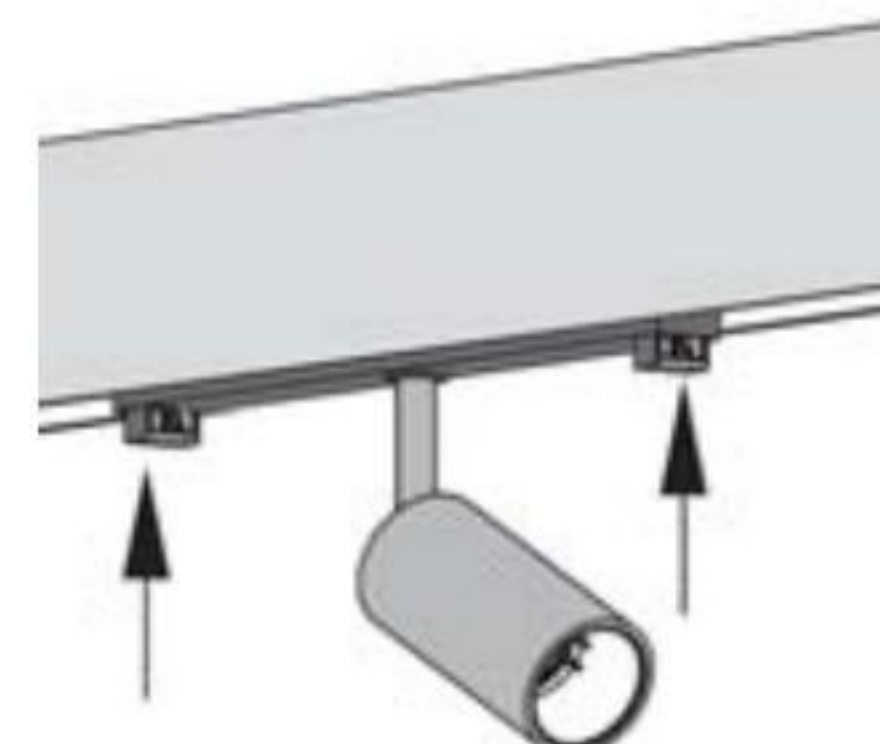
Magnet system
Sistema magnetico



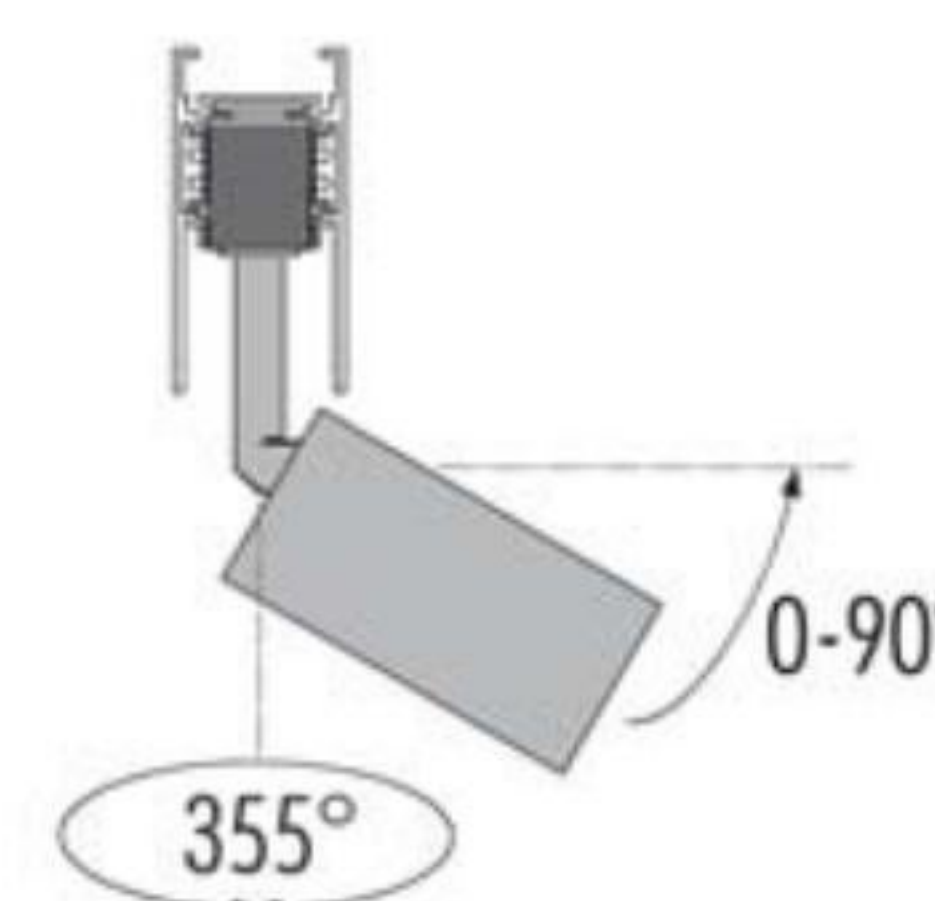
Bidirectional installation
Installazione bidirezionale



Click&Safety Lock
Fissaggio meccanico di sicurezza



Adjustable
Orientabile

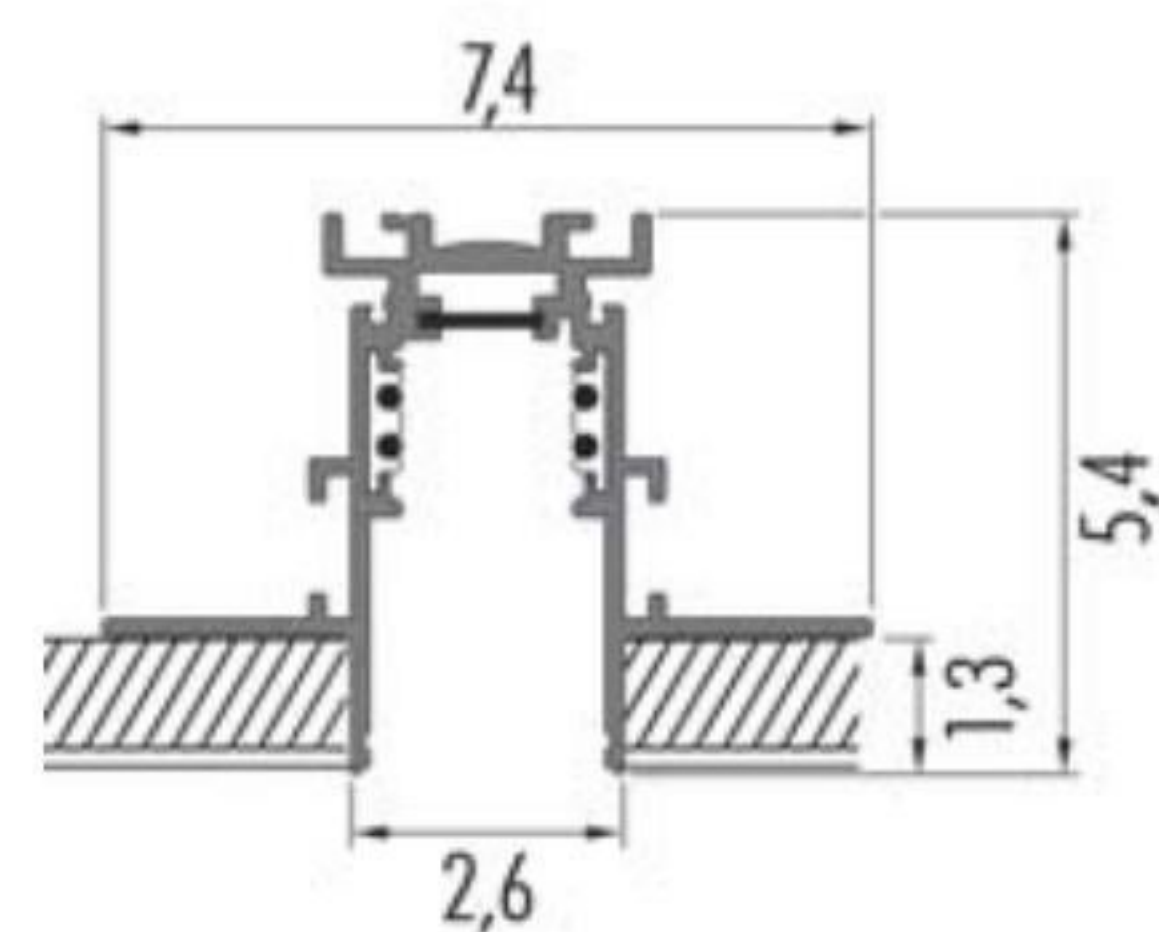


WiFi Technology by App
Tecnologia WiFi tramite App

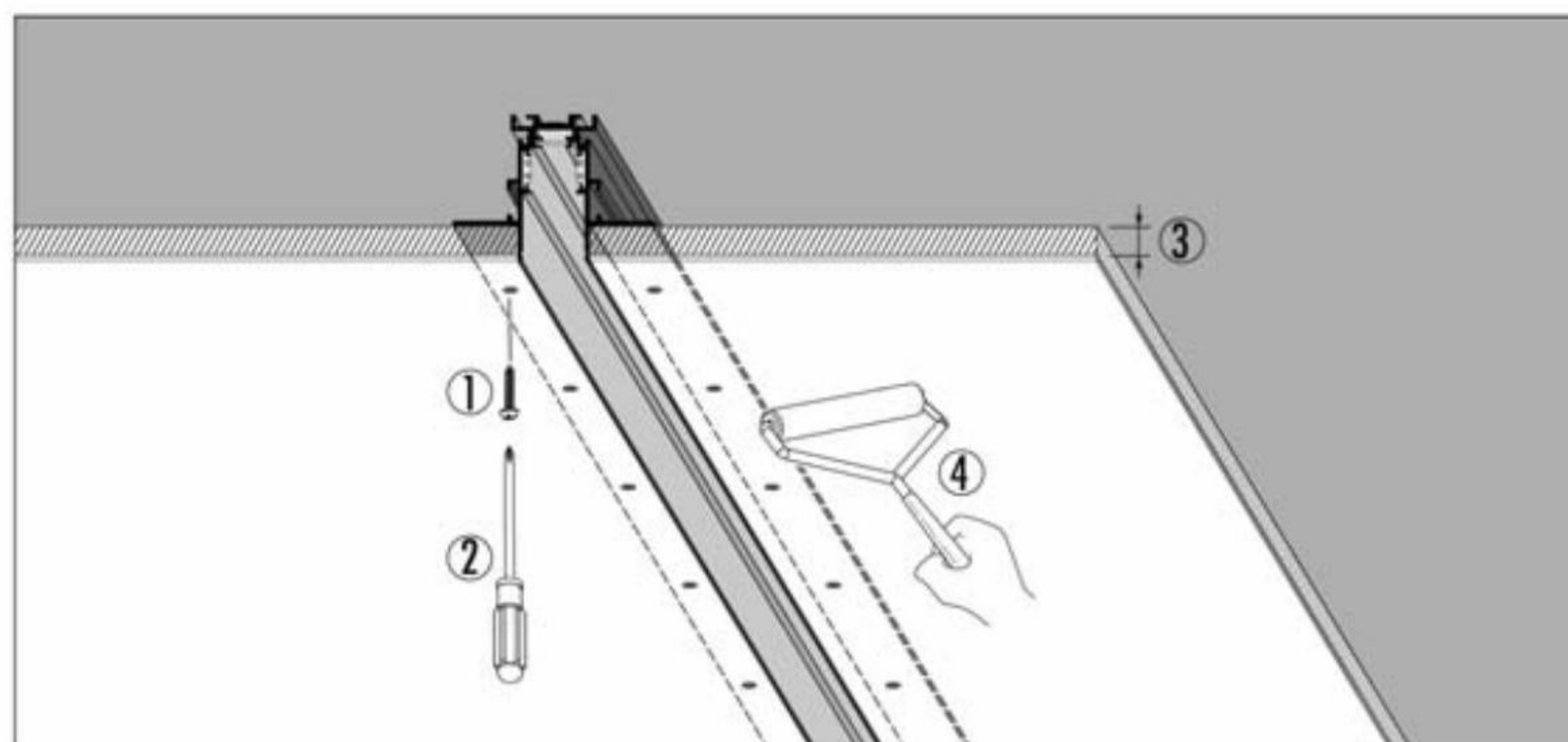




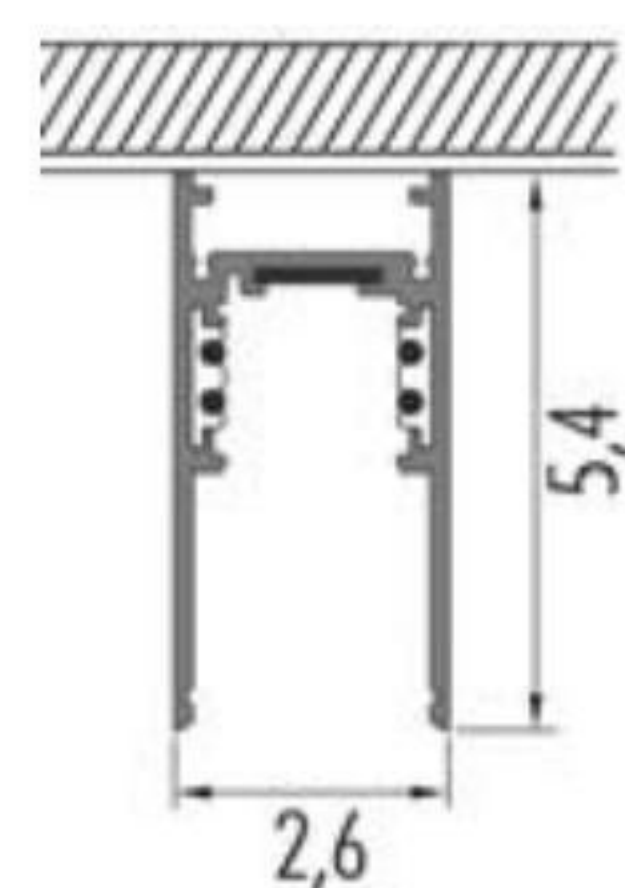




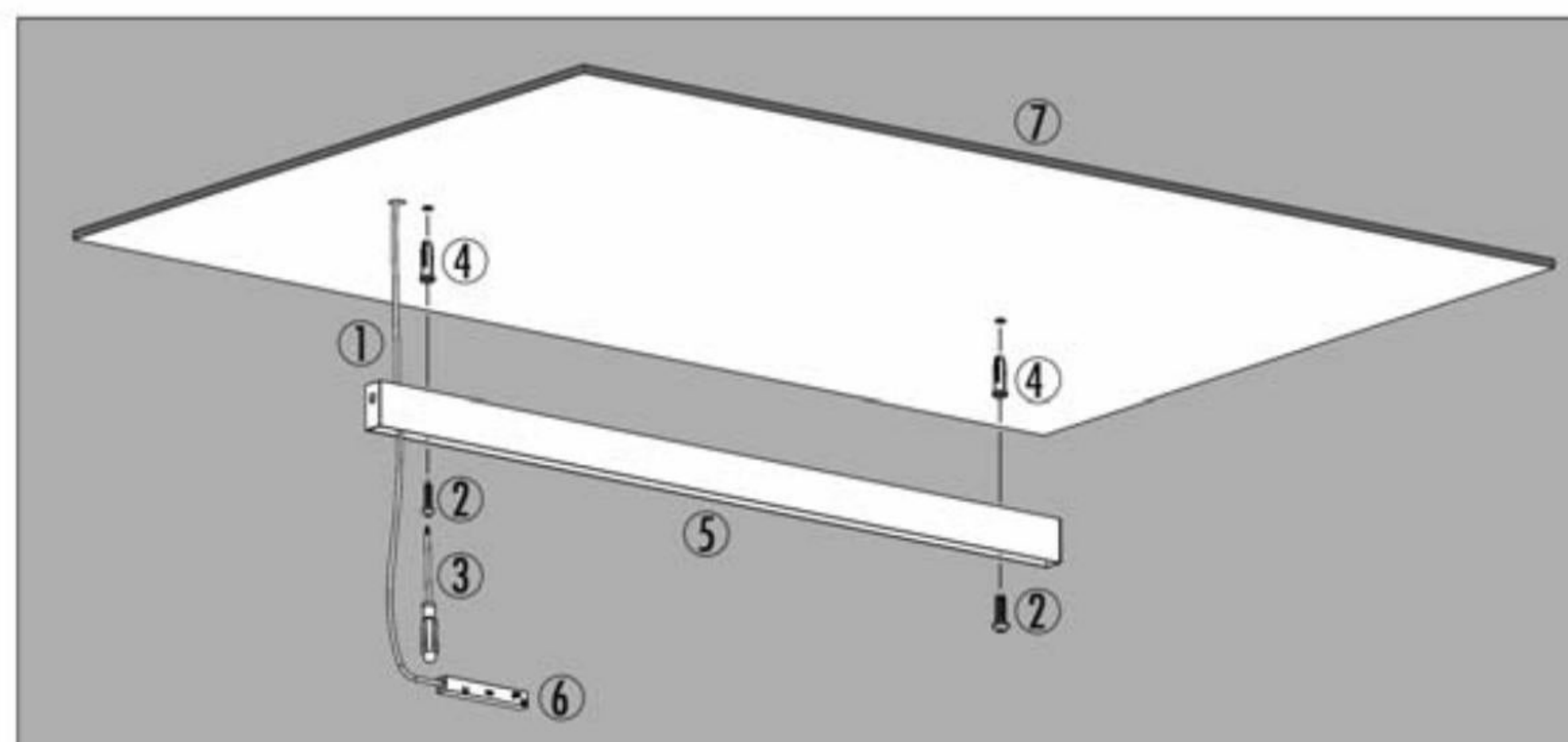
Recessed trimless only for plasterboard - *Incasso senza bordo solo per cartongesso*



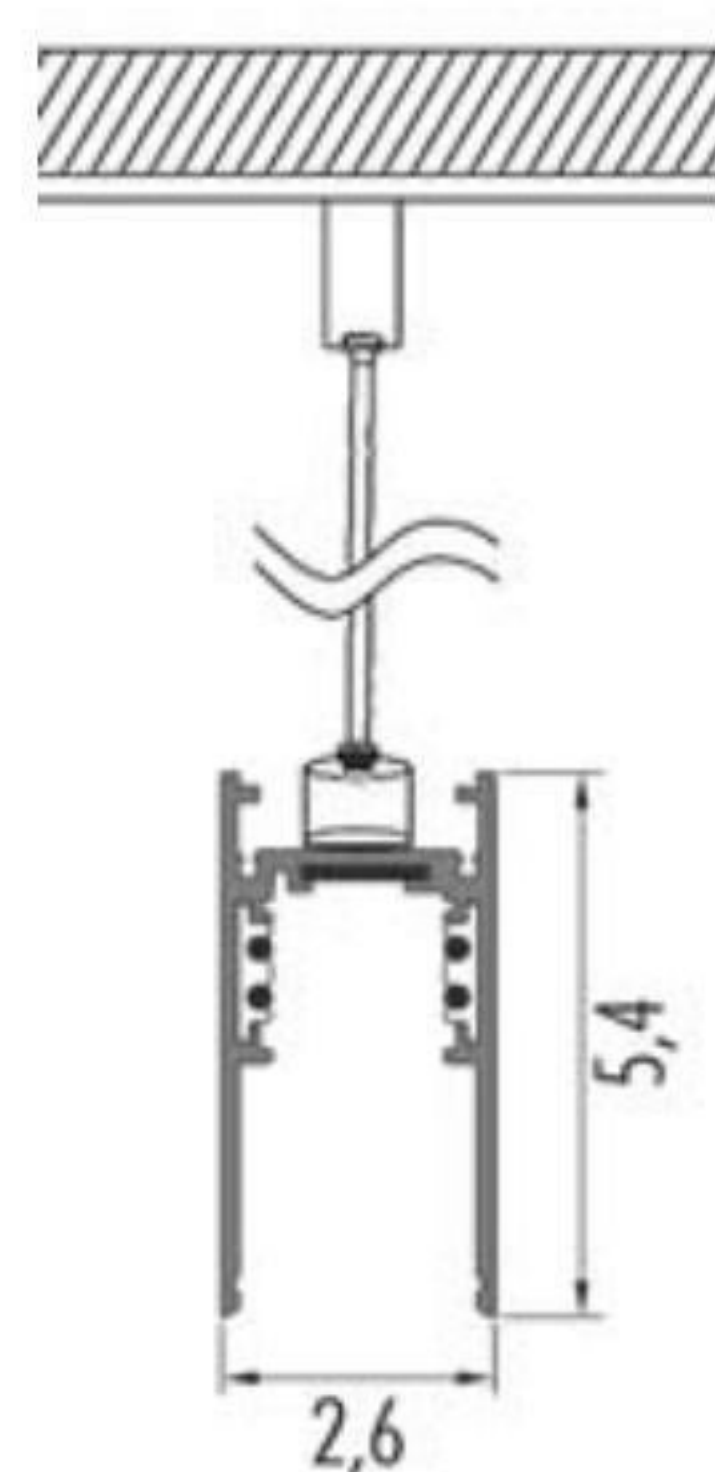
- 1 Screw
 - 2 Screw Driver
 - 3 Gypsum Board 13,3mm
 - 4 Plastering
- 1 Viti
2 Cacciavite
3 Spessore cartongesso 13,3mm
4 Stuccare e rasare



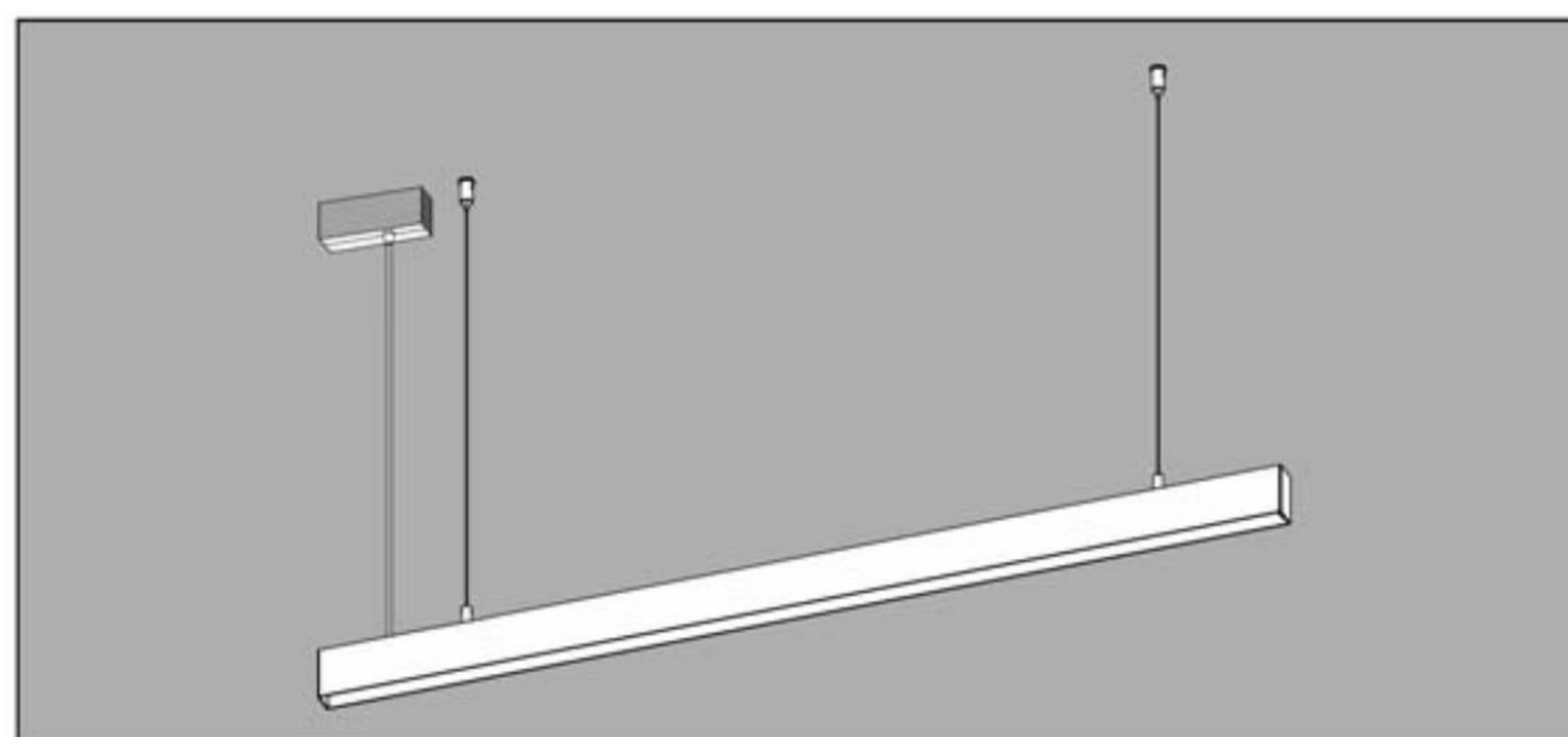
Surface - *Plafone*



- 1 DC 48V Input
 - 2 Screw
 - 3 Screw Driver
 - 4 Expansion Screw
 - 5 Track
 - 6 DC Connecting Box
 - 7 Ceiling
- 1 DC48V in entrata
2 Vite
3 Cacciavite
4 Tassello
5 Binario
6 Connettore Feed DC
7 Soffitto

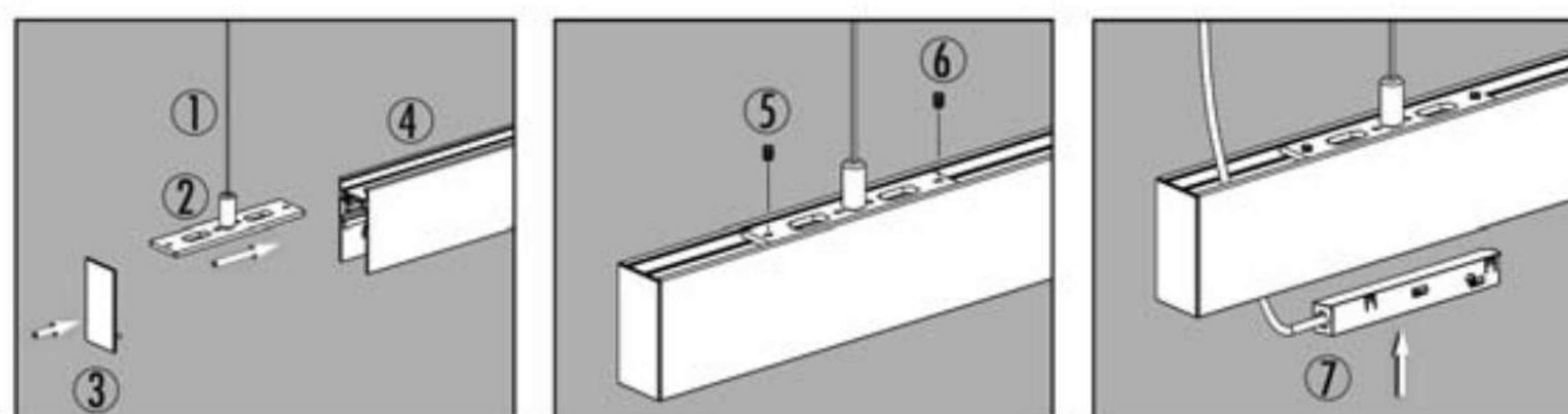


Pendant - *Sospensione*



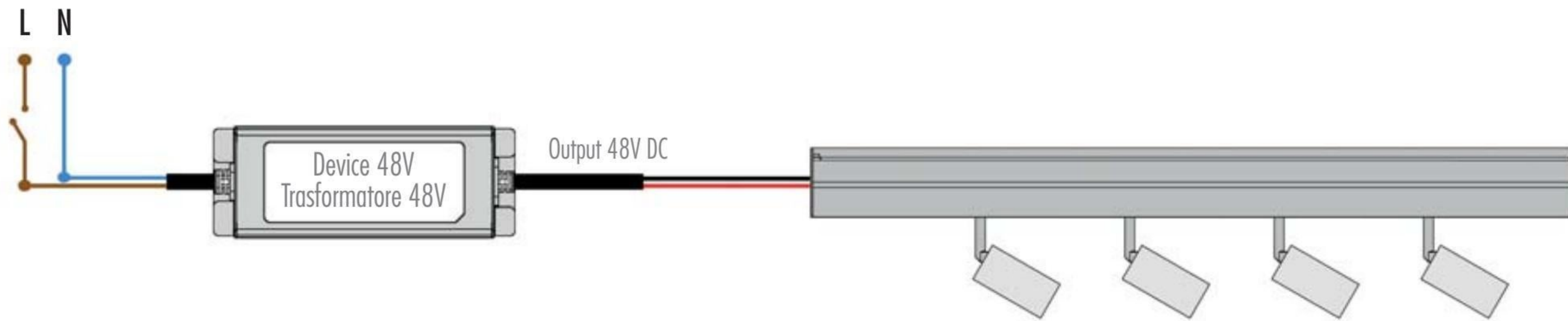
- 1 Steel cable
- 2 Mounting Plate
- 3 End cup for track
- 4 Track
- 5 Screw
- 6 Screw
- 7 DC Connecting Box

- 1 Cavi in acciaio
2 Staffa per sospensione
3 Tappo di chiusura binario
4 Binario
5 Vite
6 Vite
7 Connettore Feed DC

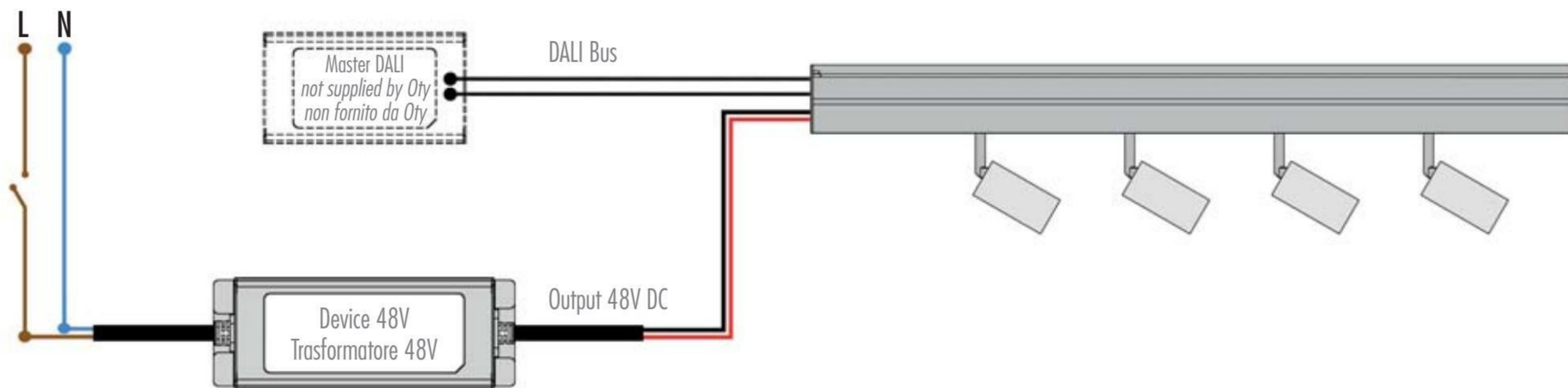


Devices Installation Scheme - *Schemi di cablaggio*

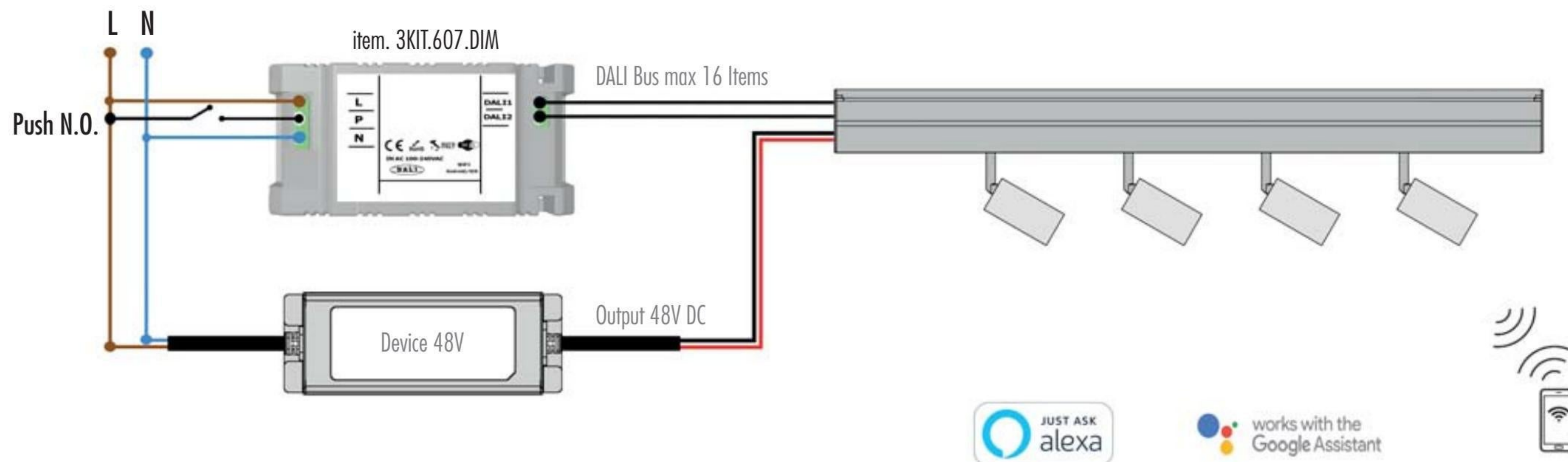
Option 1:
on/off solution
soluzione on/off

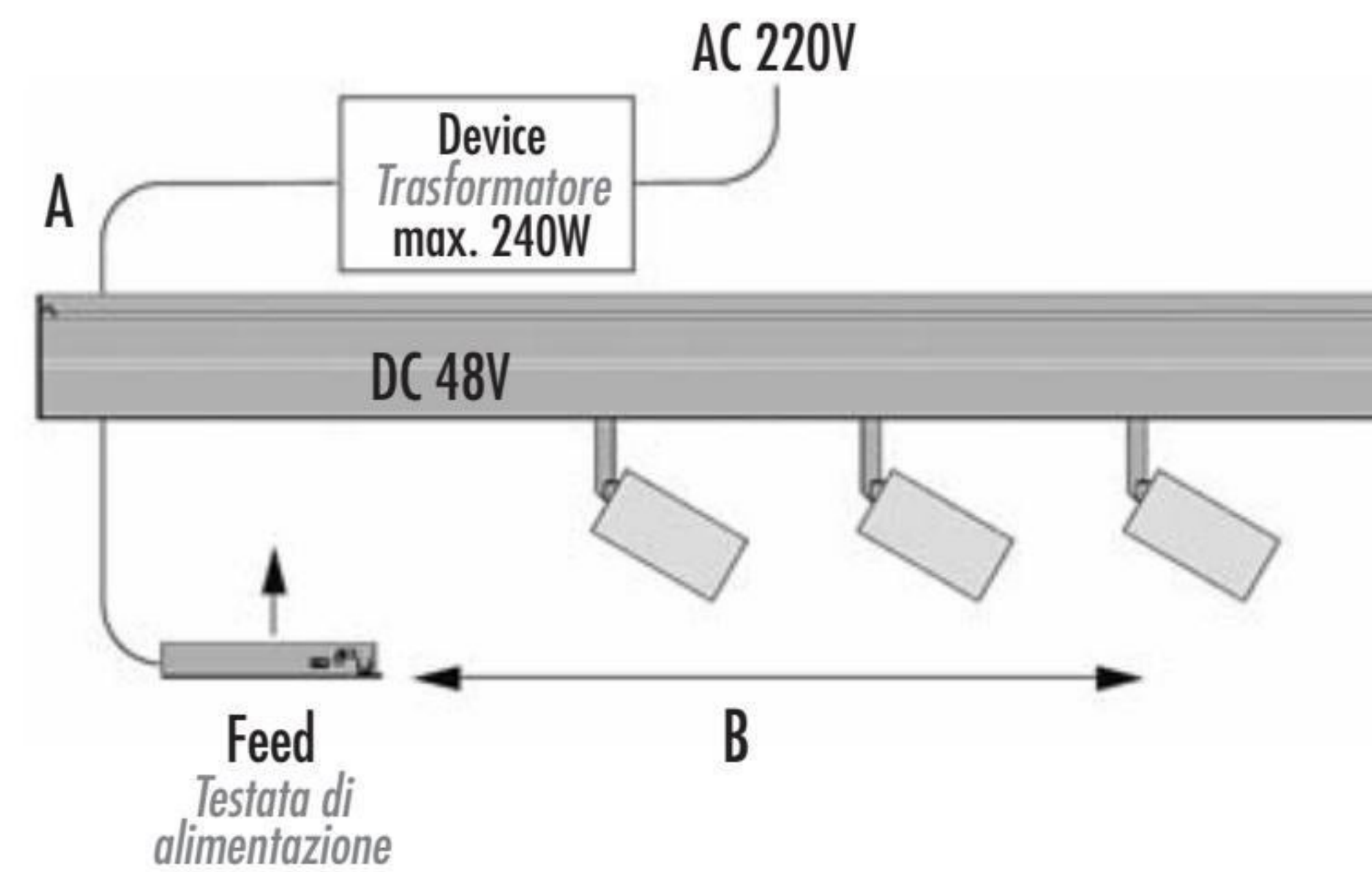


Option 2:
dimnable "Noise Free" DALI: standard addressable solution
soluzione dimmerabile "Noise Free" tramite riconoscimento standard



Option 3:
dimmable "Noise Free" WiFi: auto addressable solution
soluzione dimmerabile WiFi "Noise Free" tramite riconoscimento auto indirizzante





(A) Distance Device/Feed Unit
 (A) Distanza dal trasformatore alla testata di alimentazione.
 (B) Distance Feed Unit/Spot
 (B) Distanza dalla testata di alimentazione all'ultimo articolo.

Drop voltage table - Tabella caduta di tensione

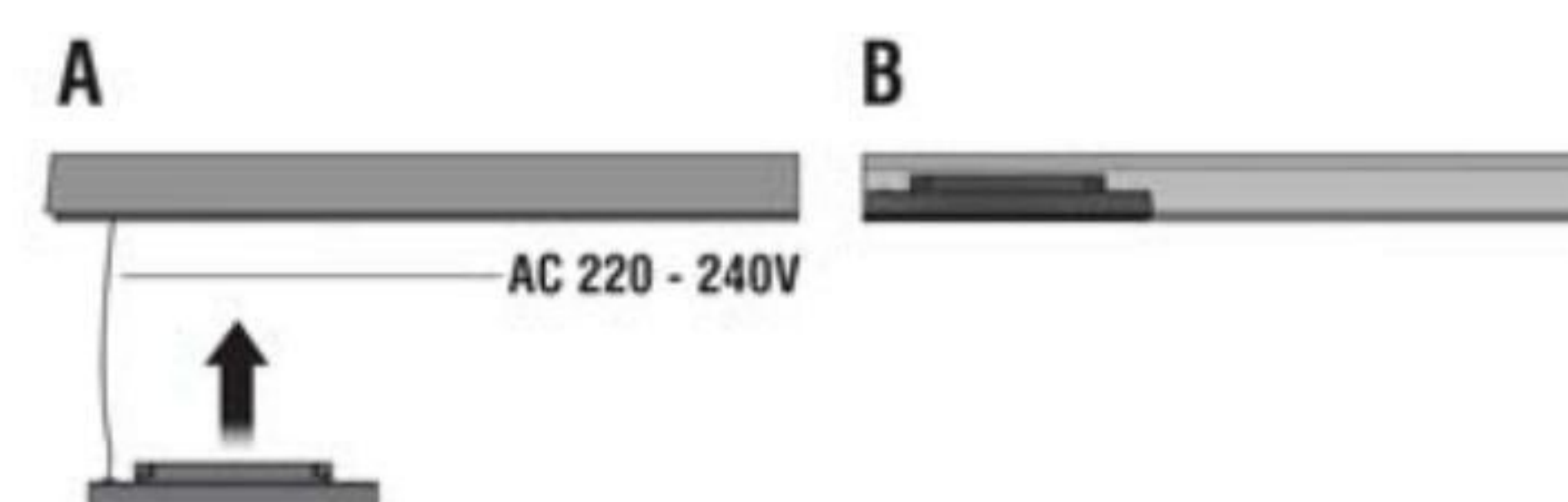
Device	(A)	5 mt.	10 mt.	20 mt.	30 mt.
100W	(B)	50 mt.	50 mt.	30 mt.	10 mt.
150W	(B)	20 mt.	15 mt.	5 mt.	—
240W	(B)	15 mt.	10 mt.	—	—

Technical characteristics of the devices for 48V Track - Caratteristiche tecniche dei dispositivi per binario 48V

Code ①	W	Size (mm)	CV	Connectable fixtures	Max distance	Cable section	Tech. Info
3KIT.048.100	100	199x63x36	48V	Max: 70W	See chart here above	2.5mm ²	100-305V 47~63Hz
3KIT.048.150	150	219x63x36	48V	Max: 105W	See chart here above	2.5mm ²	100-305V 47~63Hz
3KIT.048.245	240	244x71x38	48V	Max: 150W	See chart here above	2.5mm ²	100-305V 47~63Hz

Led warranty ONLY when used together with devices bought from Oty srl

I Led sono coperti da garanzia solo se utilizzati in abbinamento con i dispositivi acquistabili dalla Oty srl.



Technical characteristics of the device for 48V Track Caratteristiche tecniche del dispositivo per binario 48V

Code ①	W	Size	CV	Connectable fixtures
3KIT.048.060	60	242mm	48V	Max: 48W
Tech. Info	120-277V	47~63Hz		

◀ WiFi device "Noise Free" to dim the light - Dispositivo dimmerabile WiFi "Noise Free"

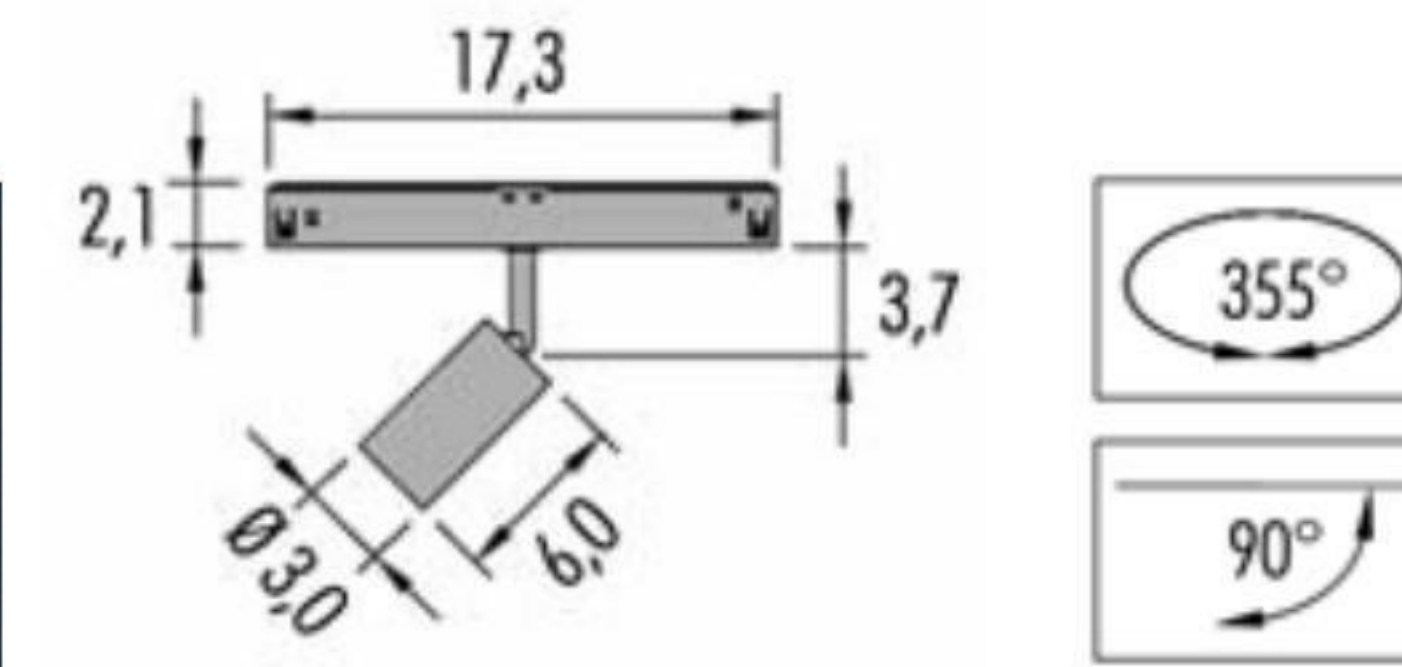
Code	Size (mm)
3KIT.607.DIM	80x40x25mm

It works by WiFi with smart phone, Google Assistant or Amazon Alexa. App on request.

Il dispositivo lavora in WiFi tramite smartphone, con Assistente Google o Alexa Amazon. App su richiesta.



X-Gun 1 $\varnothing 3,0$



IP20	MC-E=3	CE	VF	MD
48V	LED 3W	CRI>95		
3XG1.02	on/off			
3XG1.G2	dimmable			
■ Led color	Nominal lm	▲ Beam spread		
2 = 2700K	427	S = 24°		
3 = 3000K	430	T = 10°		

Attention, before ordering the item:

- 1- Choose the appropriate 48V devices (100-150-240W), paying attention to the drop voltage table;
- 2- If you need to dim the light, choose the two options:
 - a. by a Master DALI (item not supplied by Oty);
 - b. by our dimming device 3KIT.607.DIM.
- 3- All our items are "Noise Free" dimming if installed as explained on the "devices installation scheme".

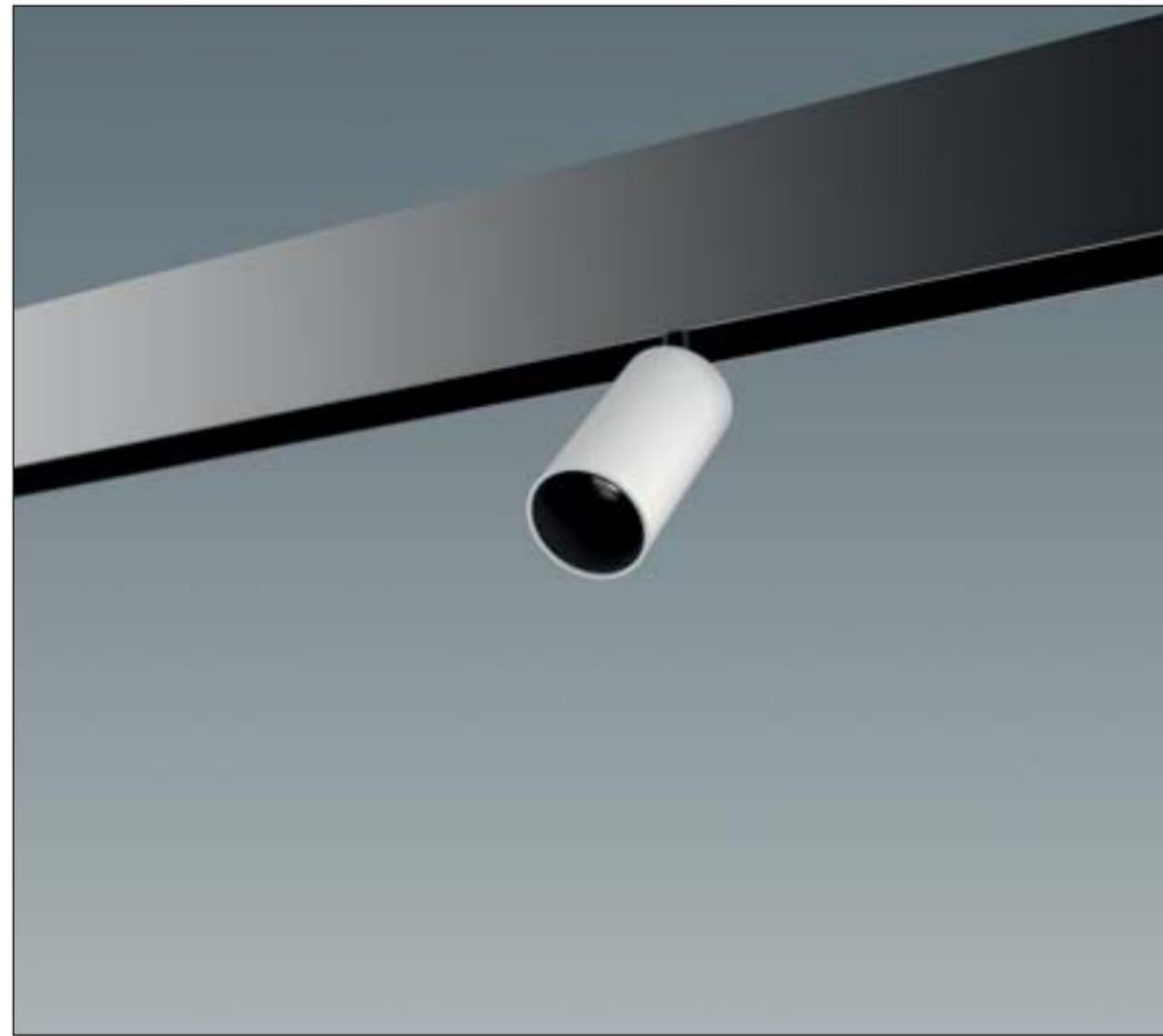
Attenzione, prima di ordinare l'articolo:

- 1- scegliere il trasformatore 48V adeguato (100-150-240W) prestando attenzione alla tabella di caduta tensione;
- 2- per dimmerare la luce, scegliere una delle due opzioni:
 - a. tramite Master Dali (articolo non fornito da Oty srl);
 - b. tramite il nostro dispositivo 3KIT.607.DIM
- 3- Tutti i ns. articoli sono dimmerabili "Noise Free" se installati come da schema di cablaggio.



Option: Cross Anti-glare Ring
Anello anti abbagliamento a croce

1XG1.C30.02



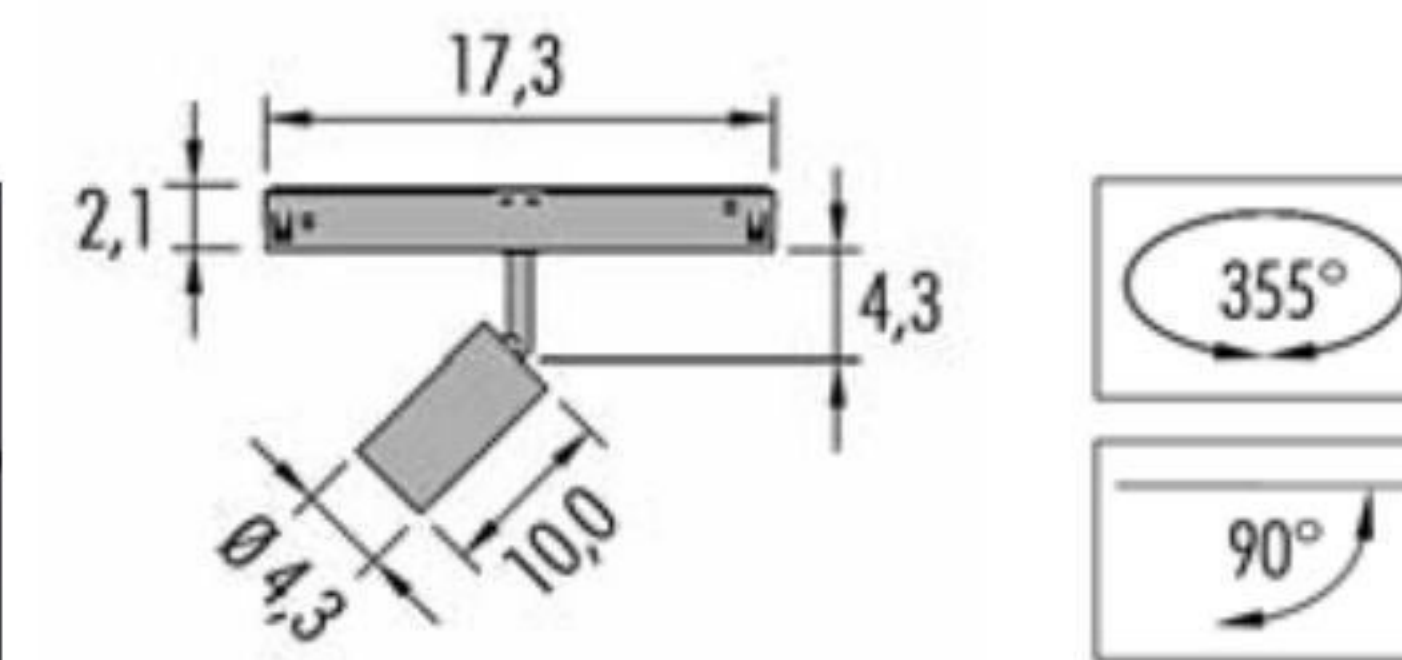
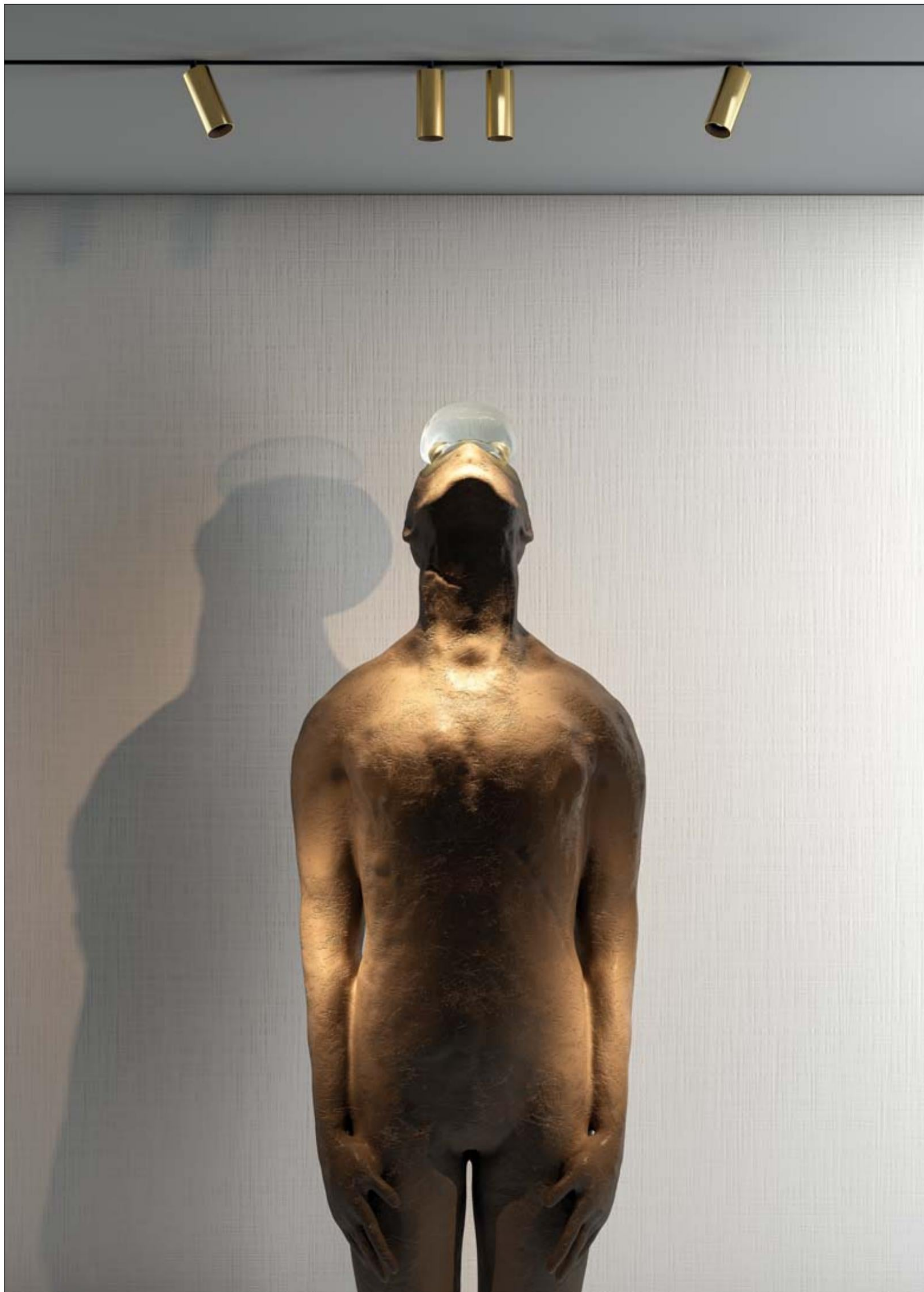
- *Frame - Struttura*

- 02 ● Black - Nero
- 06 ● White - Bianco
- CH ● Chrome - Cromo
- GD ● Gold - Oro



Standard: X - Gun is supplied with Anti-glare Ring
X - Gun è fornito di anello anti abbagliamento

X - Gun 2 Ø 4,3



IP20	MC-E=3	CE
48V	LED 8W	CRI>95
3XG2.03	on/off	
3XG2.G3	dimmable	
■ Led color	Nominal lm	▲ Beam spread
2 = 2700K	829	S = 24°
3 = 3000K	872	T = 8°

Attention, before ordering the item:

- 1- Choose the appropriate 48V devices (100-150-240W), paying attention to the drop voltage table;
- 2- If you need to dim the light, choose the two options:
 - a. by a Master DALI (item not supplied by Oty);
 - b. by our dimming device 3KIT.607.DIM.
- 3- All our items are "Noise Free" dimming if installed as explained on the "devices installation scheme".

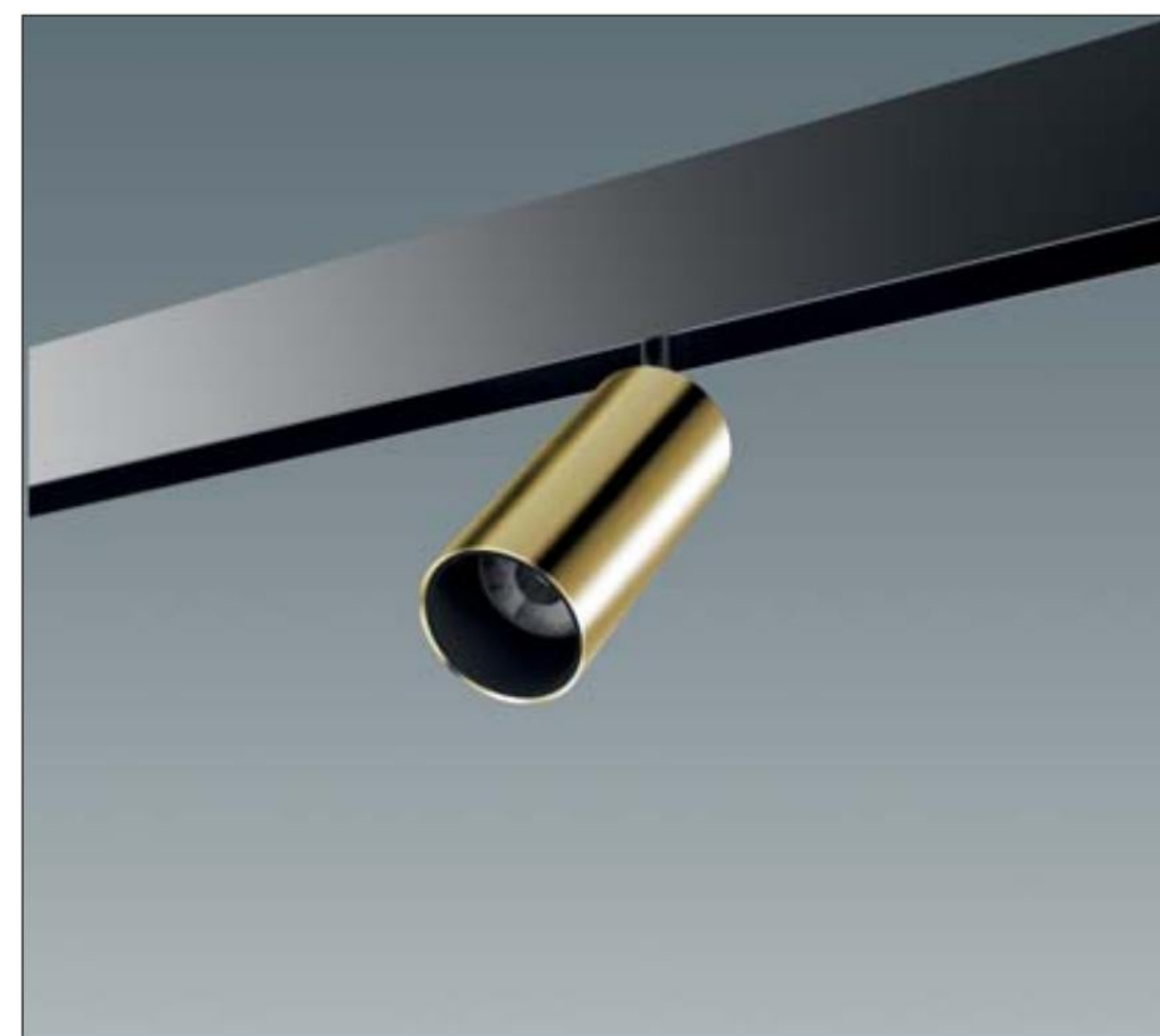
Attenzione, prima di ordinare l'articolo:

- 1- scegliere il trasformatore 48V adeguato (100-150-240W) prestando attenzione alla tabella di caduta tensione;
- 2- per dimmerare la luce, scegliere una delle due opzioni:
 - a. tramite Master Dali (articolo non fornito da Oty srl);
 - b. tramite il nostro dispositivo 3KIT.607.DIM
- 3- Tutti i ns. articoli sono dimmerabili "Noise Free" se installati come da schema di cablaggio.



Option: Cross Anti-glare Ring
Anello anti abbagliamento a croce

1XG1.C43.02



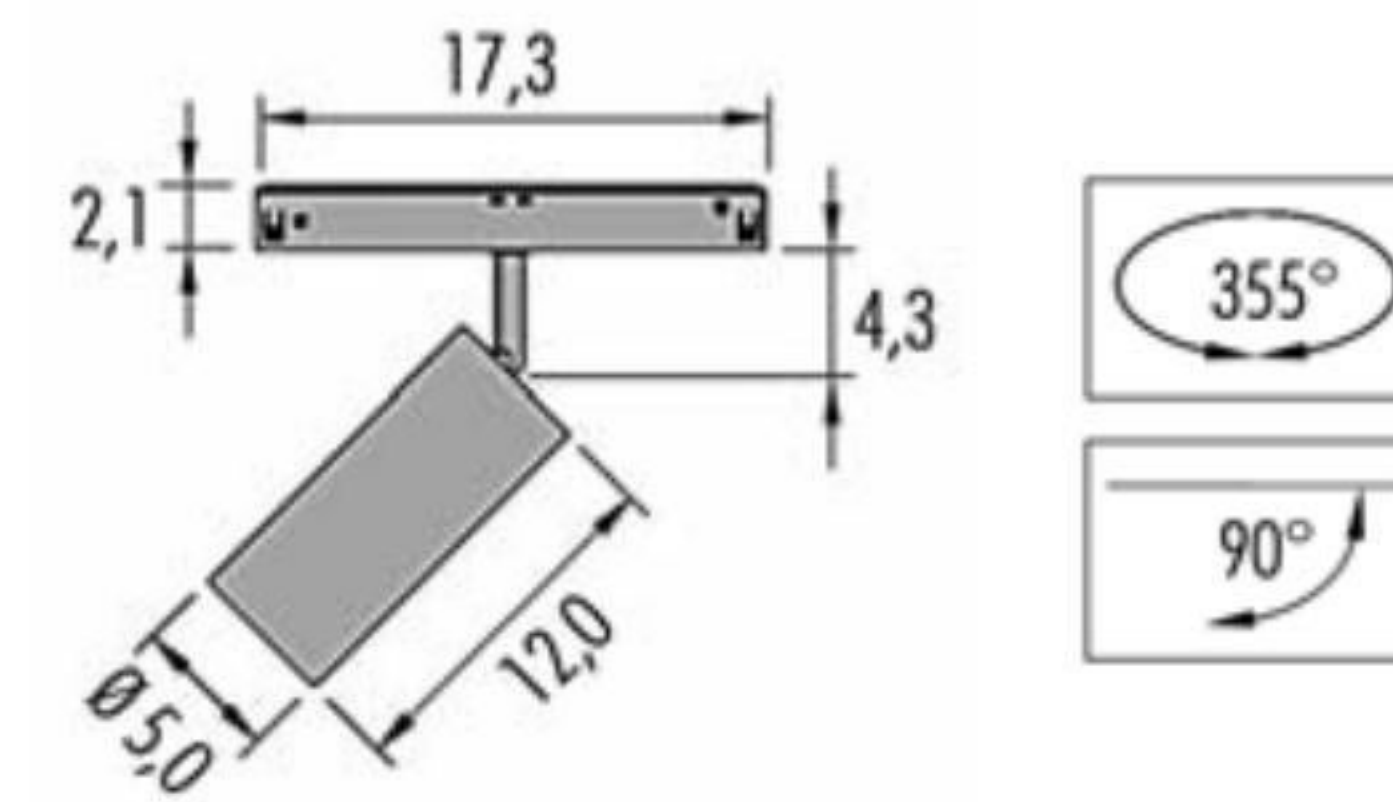
- *Frame - Struttura*

- 02 ● Black - Nero
- 06 ● White - Bianco
- CH ● Chrome - Cromo
- GD ● Gold - Oro



Standard: X - Gun is supplied with Anti-glare Ring
X - Gun è fornito di anello anti abbagliamento

X - Gun 3 Ø 5,0



IP20	MC-E=3	CE	VF	MD
48V	LED 13W	CRI>95		
3XG3.03	on/off			
3XG3.G3	dimmable			
■ Led color	Nominal lm	▲ Beam spread		
2 = 2700K	1300	M = 36°		
3 = 3000K	1425	S = 24°		

Attention, before ordering the item:

- 1- Choose the appropriate 48V devices (100-150-240W), paying attention to the drop voltage table;
- 2- If you need to dim the light, choose the two options:
 - a. by a Master DALI (item not supplied by Oty);
 - b. by our dimming device 3KIT.607.DIM.
- 3- All our items are "Noise Free" dimming if installed as explained on the "devices installation scheme".

Attenzione, prima di ordinare l'articolo:

- 1- scegliere il trasformatore 48V adeguato (100-150-240W) prestando attenzione alla tabella di caduta tensione;
- 2- per dimmerare la luce, scegliere una delle due opzioni:
 - a. tramite Master Dali (articolo non fornito da Oty srl);
 - b. tramite il nostro dispositivo 3KIT.607.DIM
- 3- Tutti i ns. articoli sono dimmerabili "Noise Free" se installati come da schema di cablaggio.



Option: Honeycomb - Frangiluce Ø 3,8 cm

1X07.H50.02

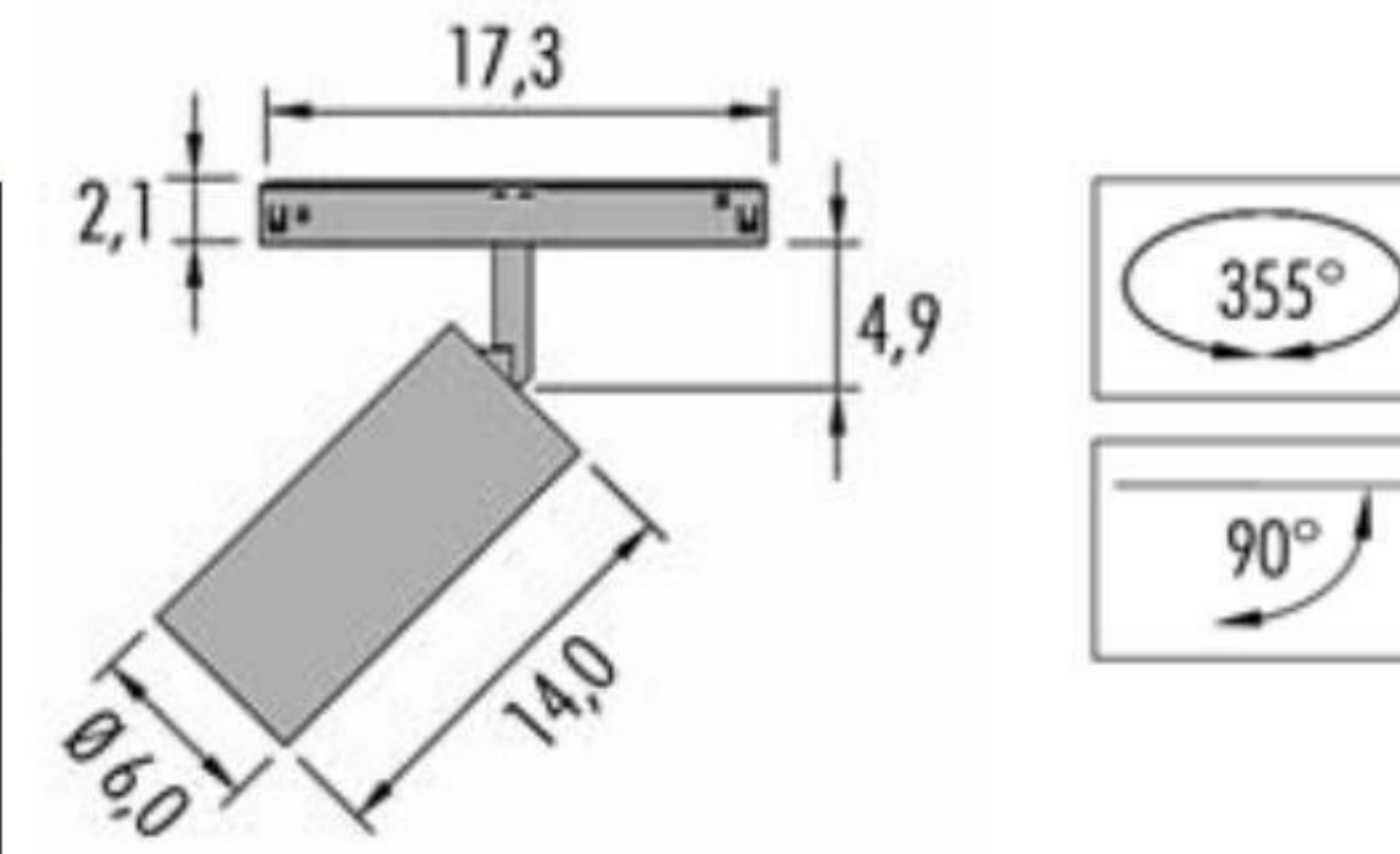


- *Frame - Struttura*
-
- 02 ● Black - Nero
- 06 ○ White - Bianco
-



Standard: X - Gun is supplied with Anti-glare Ring
X - Gun è fornito di anello anti abbagliamento

X - Gun 4 Ø 6,0



IP20	MC-E=3	CE
48V	LED 23W	CRI>95
3XG4.05	on/off	
3XG4.G5	dimmable	
■ Led color	Nominal lm	▲ Beam spread
2 = 2700K	2131	S = 24°
3 = 3000K	2241	T = 15°

Attention, before ordering the item:

- 1- Choose the appropriate 48V devices (100-150-240W), paying attention to the drop voltage table;
- 2- If you need to dim the light, choose the two options:
 - a. by a Master DALI (item not supplied by Oty);
 - b. by our dimming device 3KIT.607.DIM.
- 3- All our items are "Noise Free" dimming if installed as explained on the "devices installation scheme".

Attenzione, prima di ordinare l'articolo:

- 1- scegliere il trasformatore 48V adeguato (100-150-240W) prestando attenzione alla tabella di caduta tensione;
- 2- per dimmerare la luce, scegliere una delle due opzioni:
 - a. tramite Master Dali (articolo non fornito da Oty srl);
 - b. tramite il nostro dispositivo 3KIT.607.DIM
- 3- Tutti i ns. articoli sono dimmerabili "Noise Free" se installati come da schema di cablaggio.



Option: Honeycomb - Frangiluce

1XG4.H60.02 Ø 5,2 cm



Option: Barn Door - Frangiluce orientabile

1XG4.D60.02 Ø 6,0 cm



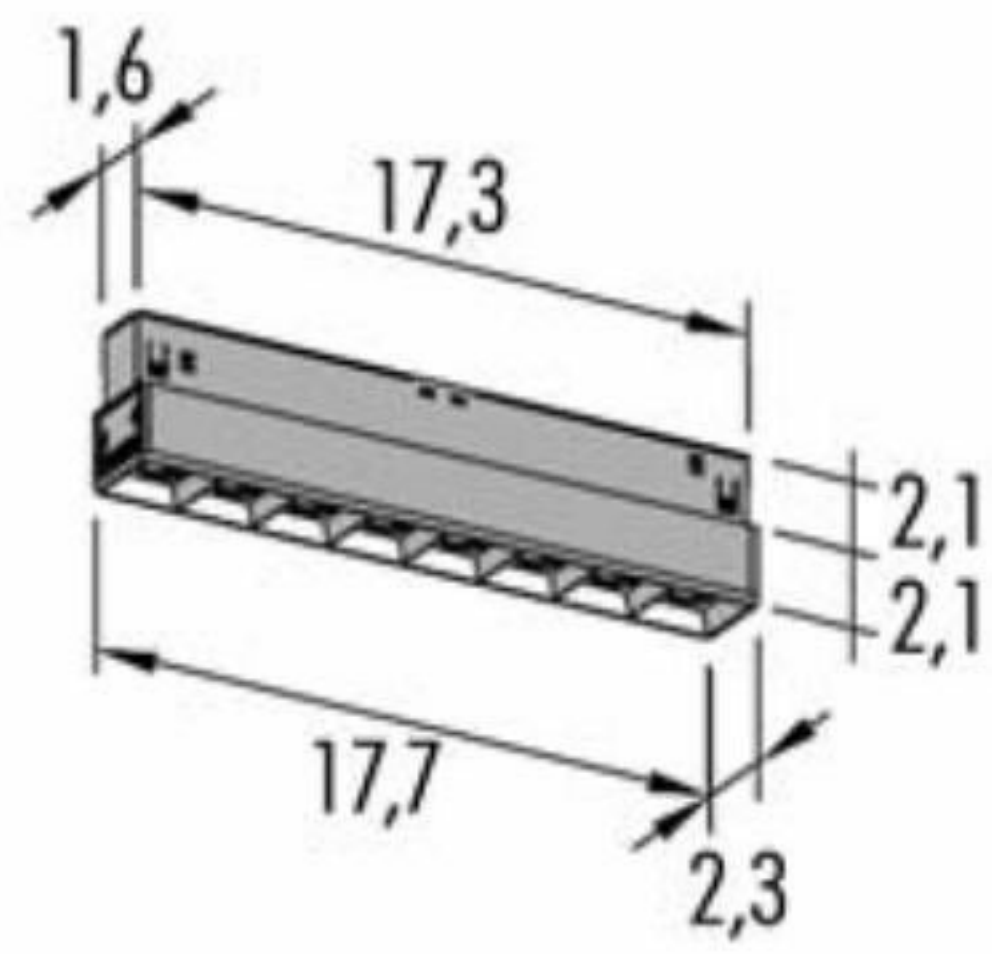
- *Frame - Struttura*
-
- 02 ● Black - Nero
- 06 ○ White - Bianco
-



Standard: X - Gun is supplied with Anti-glare Ring
X - Gun è fornito di anello anti abbagliamento



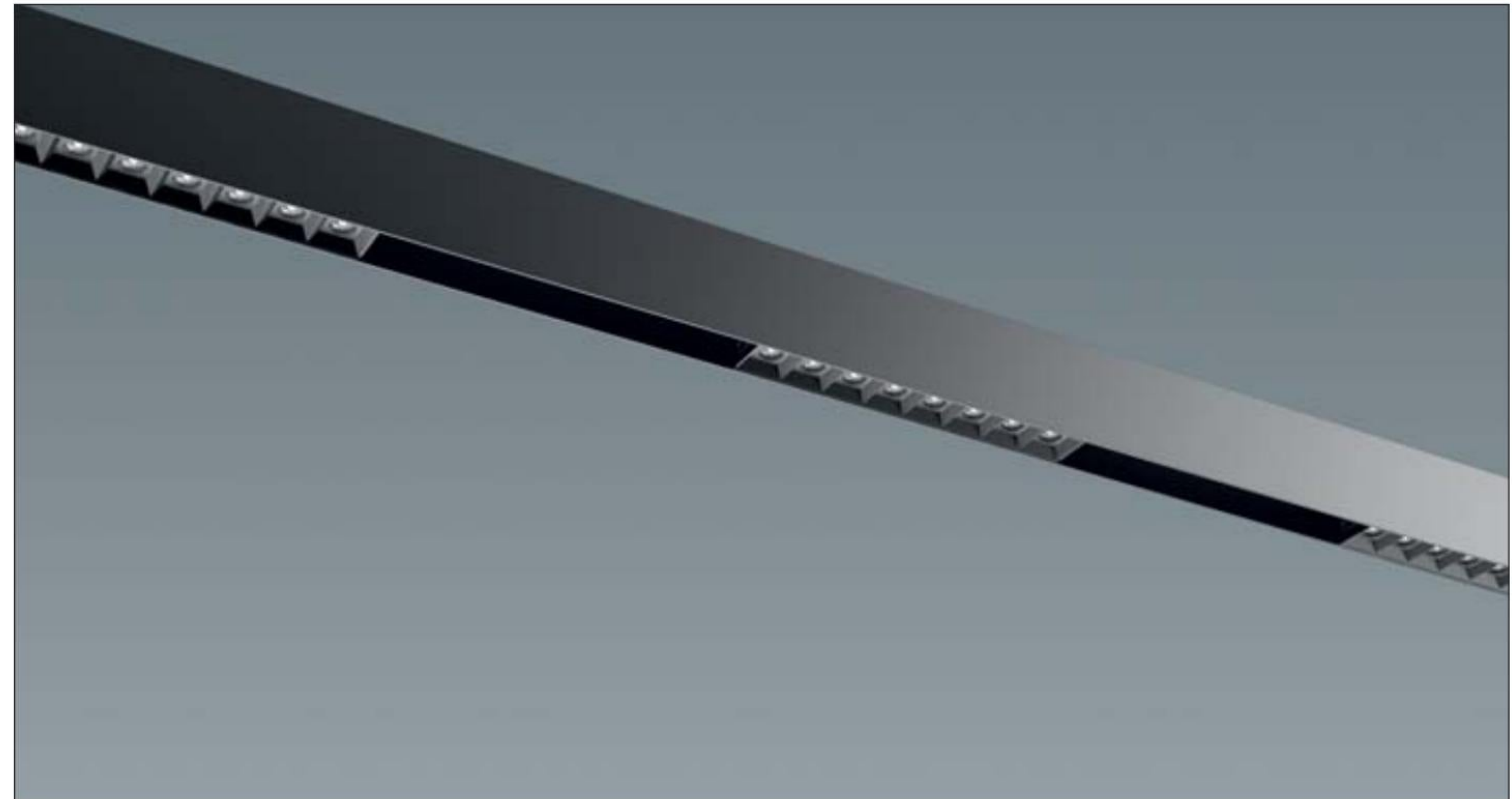
X - Dark 1



UGR<19

Frame - Struttura

02 ● Black - Nero



IP20	MC-E=3	CE
48V	LED 8W	CRI>95
3XD1.02	on/off	
3XD1.G2	dimnable	
■ Led color	Nominal lm	▲ Beam spread
2 = 2700K	720	M = 50°
3 = 3000K	772	T = 15°

X-Dark can be used as a single element, or for unlimited length compositions.
Material: PMMA optical lens.
Light distribution: symmetric.

X-Dark può essere usato come elemento singolo, oppure per composizioni di varie lunghezze.
L'ottica delle lenti è in PMMA (Polimetilmetacrilato).
Distribuzione simmetrica della luce.

Attention, before ordering the item:

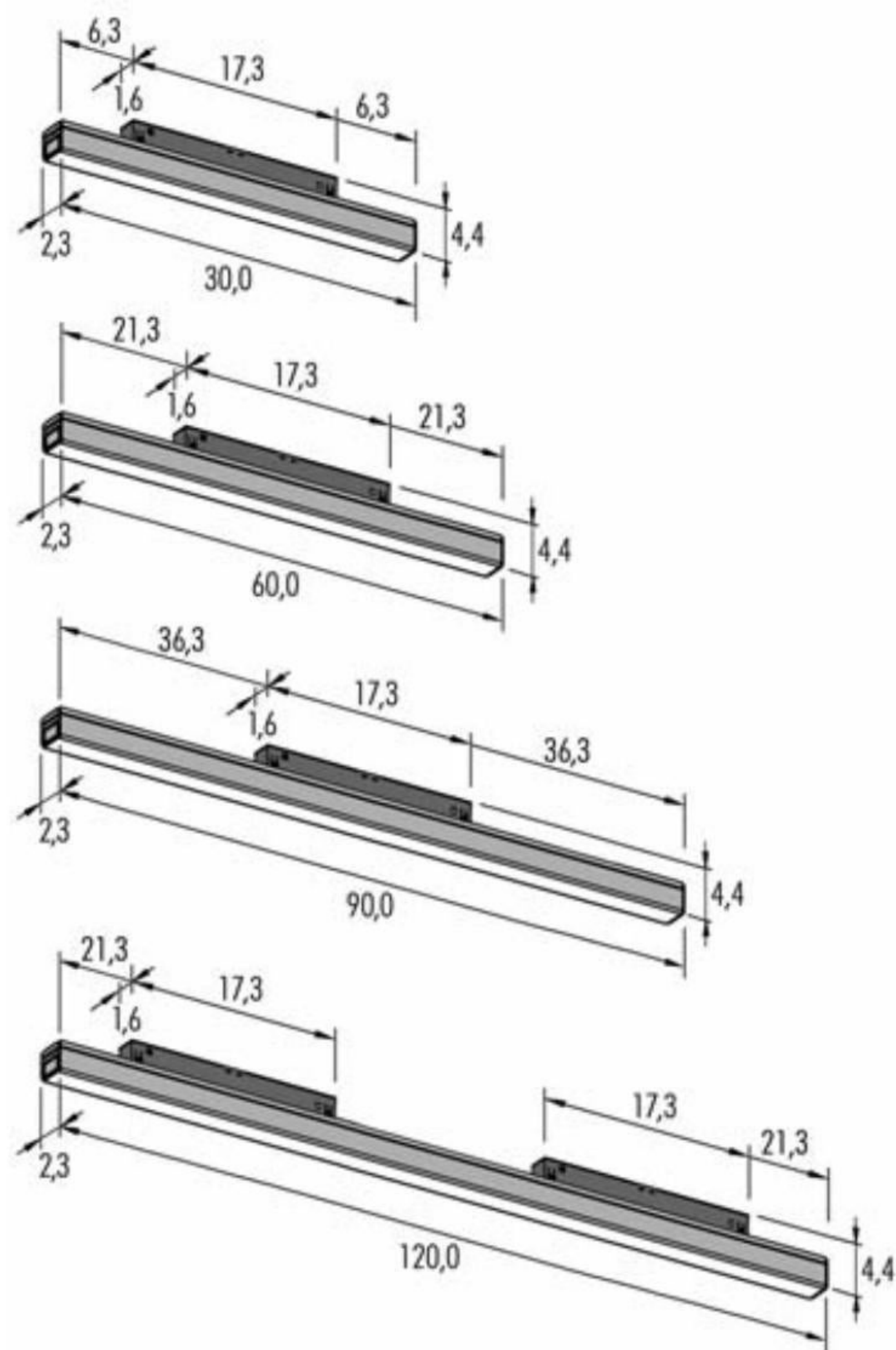
- 1- Choose the appropriate 48V devices (100-150-240W), paying attention to the drop voltage table;
- 2- If you need to dim the light, choose the two options:
 - a. by a Master DALI (item not supplied by Oty);
 - b. by our dimming device 3KIT.607.DIM.
- 3- All our items are "Noise Free" dimming if installed as explained on the "devices installation scheme".

Attenzione, prima di ordinare l'articolo:

- 1- scegliere il trasformatore 48V adeguato (100-150-240W) prestando attenzione alla tabella di caduta tensione;
- 2- per dimmerare la luce, scegliere una delle due opzioni:
 - a. tramite Master Dali (articolo non fornito da Oty srl);
 - b. tramite il nostro dispositivo 3KIT.607.DIM
- 3- Tutti i ns. articoli sono dimmerabili "Noise Free" se installati come da schema di cablaggio.

X - Line 30 | 60 | 90 | 120





X-Line can be used as a single element, or for unlimited length compositions without any dark zone. Material: PC optical cover. Light distribution: symmetric.

X-Line può essere usato come elemento singolo, o come modulo per composizioni di varie lunghezze senza alcuna zona d'ombra. Diffusore luce in PC (Policarbonato). Distribuzione simmetrica della luce.

X-Line 60,90 and 120 cm, are the only measures that can be used to correctly illuminate the corners.

X-Line 60,90 e 120 cm, sono le misure che devono essere usate per illuminare correttamente gli angoli.

X-Line 30cm

IP20	MC-E=3	CE	F	Ⓢ
48V	LED 5W	CRI>90		
3XL1.04 ■ L.D1	on/off			
3XL1.G4 ■ L.D1	dimnable			
■ Led color	Nominal lm	▲ Beam spread		
2 = 2700K	460	120°		
3 = 3000K	500			

X-Line 60cm

IP20	MC-E=3	CE	F	Ⓢ
48V	LED 10W	CRI>90		
3XL2.04 ■ L.D1	on/off			
3XL2.G4 ■ L.D1	dimnable			
■ Led color	Nominal lm	▲ Beam spread		
2 = 2700K	920	120°		
3 = 3000K	1000			

X-Line 90cm

IP20	MC-E=3	CE	F	Ⓢ
48V	LED 15W	CRI>90		
3XL3.04 ■ L.D1	on/off			
3XL3.G4 ■ L.D1	dimnable			
■ Led color	Nominal lm	▲ Beam spread		
2 = 2700K	1380	120°		
3 = 3000K	1500			

X-Line 120cm

IP20	MC-E=3	CE	F	Ⓢ
48V	LED 20W	CRI>90		
3XL4.04 ■ L.D1	on/off			
3XL4.G4 ■ L.D1	dimnable			
■ Led color	Nominal lm	▲ Beam spread		
2 = 2700K	1840	120°		
3 = 3000K	2000			

Attention, before ordering the item:

- 1- Choose the appropriate 48V devices (100-150-240W), paying attention to the drop voltage table;
- 2- If you need to dim the light, choose the two options:
 - a. by a Master DALI (item not supplied by Oty);
 - b. by our dimming device 3KIT.607.DIM.
- 3- All our items are "Noise Free" dimming if installed as explained on the "devices installation scheme".

Attenzione, prima di ordinare l'articolo:

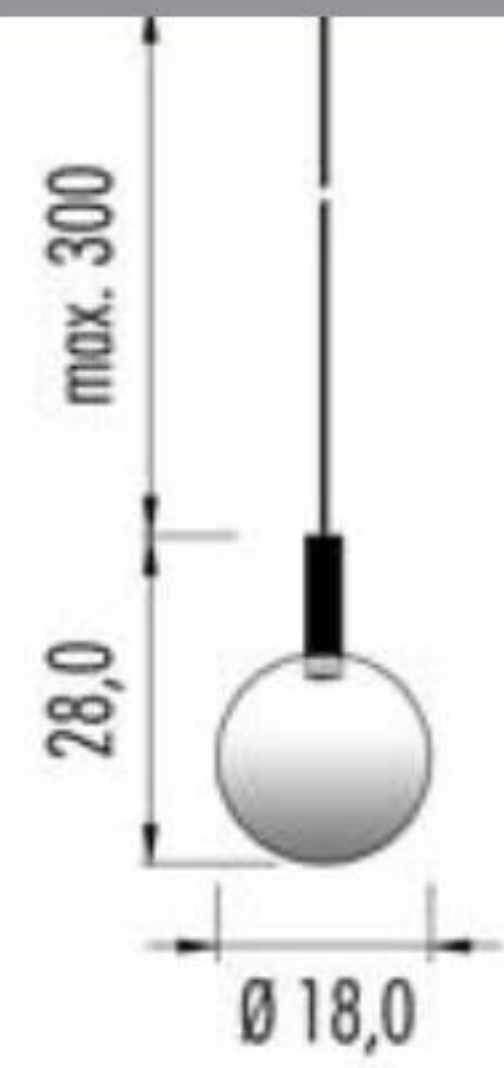
- 1- scegliere il trasformatore 48V adeguato (100-150-240W) prestando attenzione alla tabella di caduta tensione;
- 2- per dimmerare la luce, scegliere una delle due opzioni:
 - a. tramite Master Dali (articolo non fornito da Oty srl);
 - b. tramite il nostro dispositivo 3KIT.607.DIM
- 3- Tutti i ns. articoli sono dimmerabili "Noise Free" se installati come da schema di cablaggio.

X - Rail 48V magnet track system
sistema a binario magnetico

Bijou
C'est Moi
Chapeau
C'est Toi
Petit
Chérie

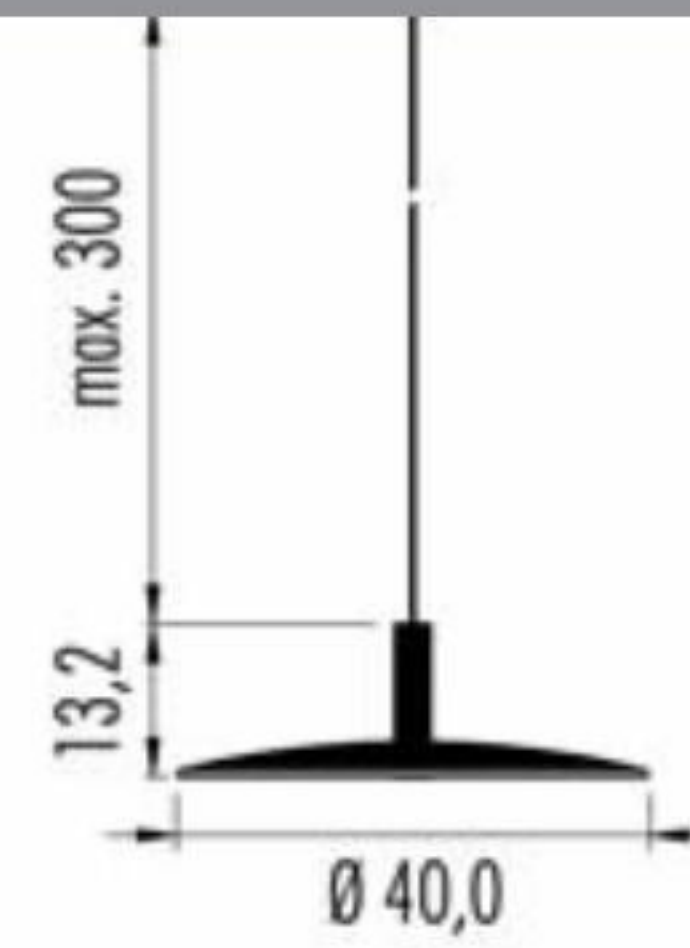


Black power supply cable. Cavo di alimentazione, nero.



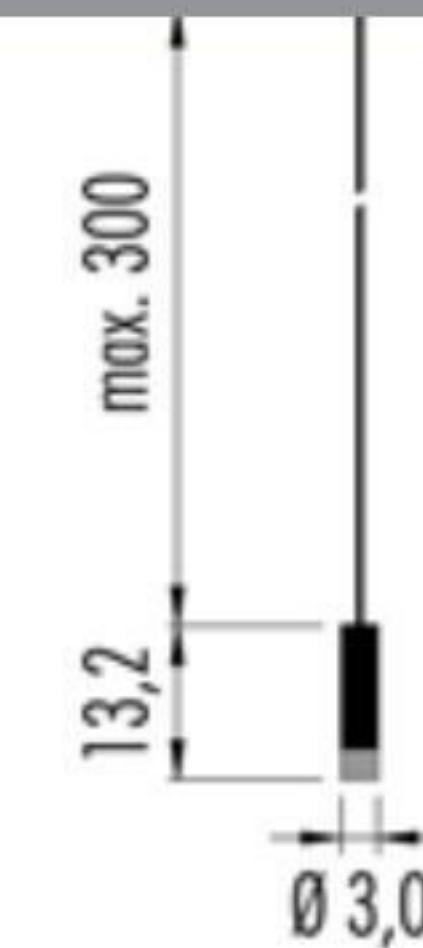
IP40	©	Bijou	CE	▽	◇
48V		6W			CRI>90
3BUX.02	■ S.	<input type="checkbox"/>			on/off
3BUX.G2	■ S.	<input type="checkbox"/>			dimnable
■ Led color		Nominal lm			Beam spread
2 = 2700K		528			25°
3 = 3000K		552			

<input type="checkbox"/>		Cylinder - Cilindro
02	●	Black - Nero
06	○	White - Bianco
C1	●	Copper Anodized - Rame anodizzato
S1	●	Brass Anodized - Ottone anodizzato



IP20	©	Chapeau	CE	▽	◇
48V		6W			CRI>90
3CHX.02	■ S.	<input type="checkbox"/>			on/off
3CHX.G2	■ S.	<input type="checkbox"/>			dimnable
■ Led color		Nominal lm			Beam spread
2 = 2700°K		528			20°
3 = 3000°K		552			

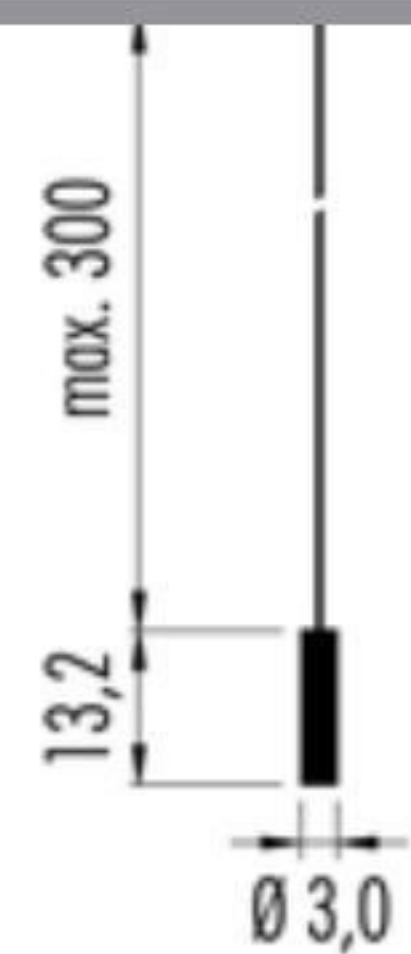
<input type="checkbox"/>		Up Down
02	● ●	Black/Black - Nero/Nero
06	○ ○	White/White - Bianco/Bianco
CK	● ●	Copper Anodized/Black - Rame anodiz./Nero
CW	● ○	Copper Anodized/White - Rame anodiz./Bianco
SK	● ●	Brass Anodized/Black - Ottone anodiz./Nero
SW	● ○	Brass Anodized/White - Ottone anodiz./Bianco



IP20	©	C'est Toi	CE	▽	◇
48V		6W			CRI>90
3CTX.02	■ S.	<input type="checkbox"/>			on/off
3CTX.G2	■ S.	<input type="checkbox"/>			dimnable
■ Led color		Nominal lm			Beam spread
2 = 2700°K		528			20°
3 = 3000°K		552			

<input type="checkbox"/>		Cylinder - Cilindro
02	●	Black - Nero
06	○	White - Bianco
C1	●	Copper Anodized - Rame anodizzato
S1	●	Brass Anodized - Ottone anodizzato

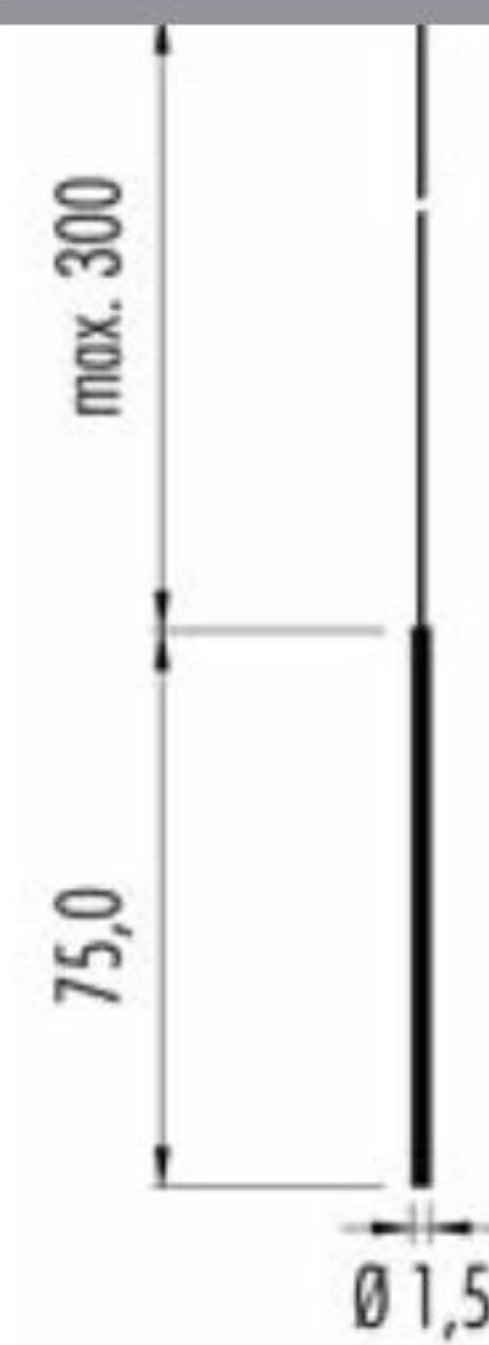
Black power supply cable. Cavo di alimentazione, nero.



IP20	©	C'est Moi	CE	▽	◇
48V		6W	CRI>90		
3CMX.02	■ S.	<input type="checkbox"/>	on/off		
3CMX.G2	■ S.	<input type="checkbox"/>	dimmable		
■ Led color	Nominal lm	Beam spread			
2 = 2700°K	528	20°			
3 = 3000°K	552				

Diffuser color - Diffusore

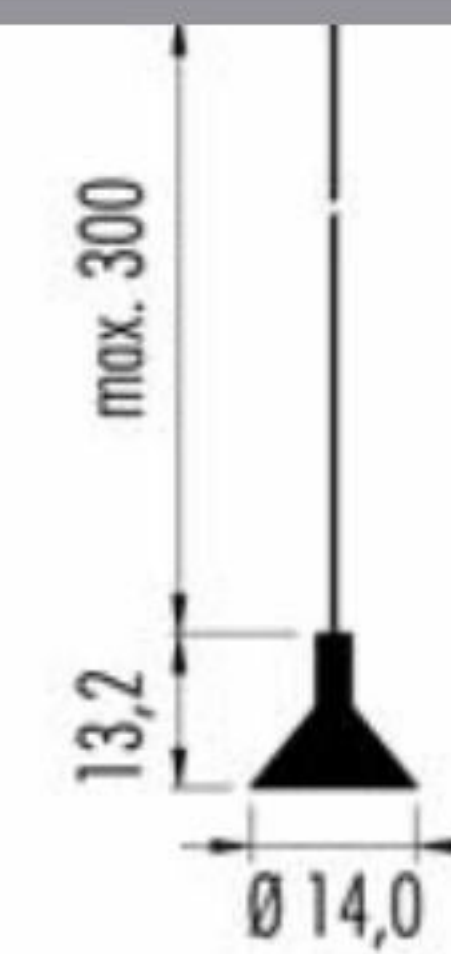
02 ● Black - Nero 06 ○ White - Bianco



IP20	©	Petit	CE	▽	◇
48V		2,3W	CRI>90		
3PTX.02	■ L.	<input type="checkbox"/>	on/off		
3PTX.G2	■ L.	<input type="checkbox"/>	dimmable		
■ Led color	Nominal lm	Beam spread			
2 = 2700°K	237	60°			
3 = 3000°K	256				

Diffuser color - Diffusore

02 ● Black - Nero 06 ○ White - Bianco



IP20	©	Chérie	CE	▽	◇
48V		6W	CRI>90		
3CEX.02	■ S.	<input type="checkbox"/>	on/off		
3CEX.G2	■ S.	<input type="checkbox"/>	dimmable		
■ Led color	Nominal lm	Beam spread			
2 = 2700°K	528	20°			
3 = 3000°K	552				

Diffuser color - Diffusore

02 ● Black - Nero 06 ○ White - Bianco

Recessed trimless - *Incasso senza bordo*

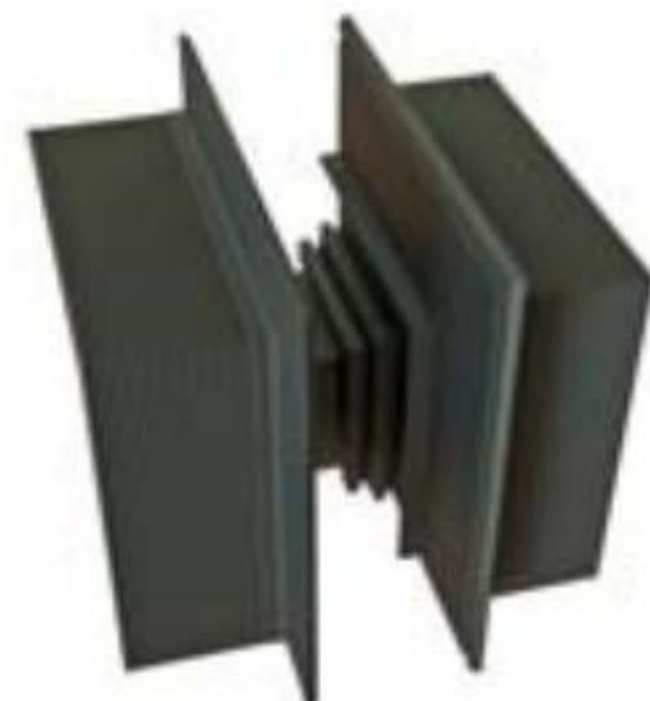


1XR5.100.02	100cm	Black - Nero
1XR5.100.06	100cm	White - Bianco
1XR5.200.02	200cm	Black - Nero
1XR5.200.06	200cm	White - Bianco
1XR5.300.02	300cm	Black - Nero
1XR5.300.06	300cm	White - Bianco



1XR5.GAI.02 Black - Nero

Non electrified vertical internal corner - *Angolare interno verticale non elettrificato*



1XR5.GAE.02 Black - Nero

Non electrified vertical external corner - *Angolare esterno verticale non elettrificato*



1XR5.GAH.02 Black - Nero
1XR5.GAH.06 White - Bianco

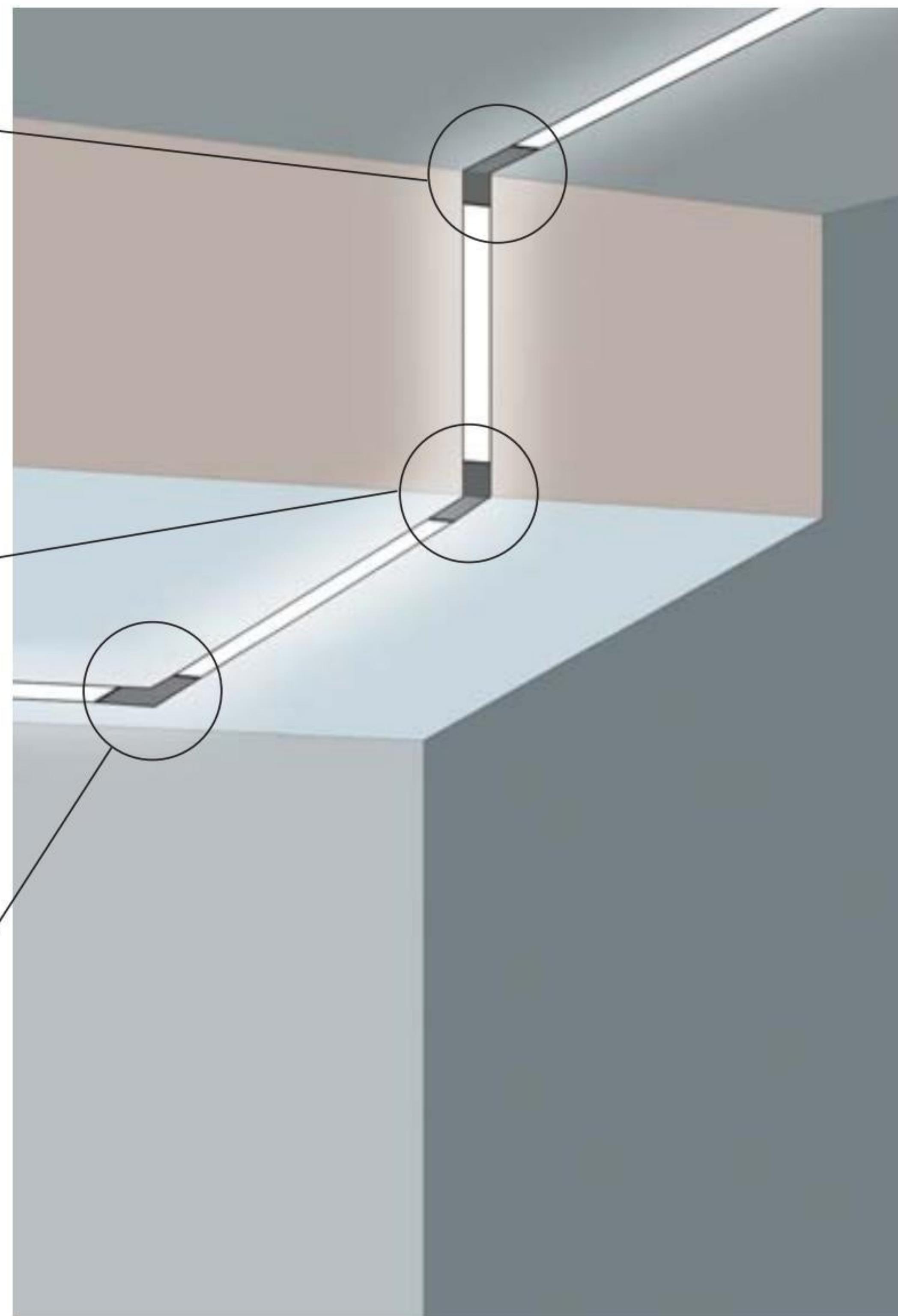
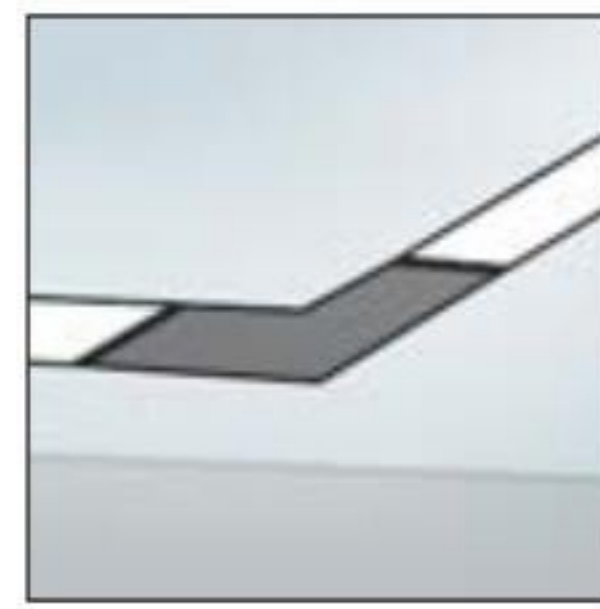
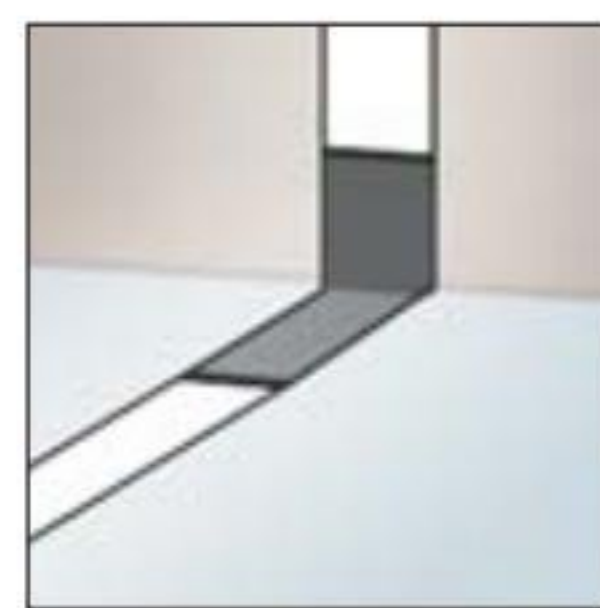
Non electrified horizontal corner. *Angolare orizzontale non elettrificato*



1XR5.GF1.02 Bracket - Staffa

3 Units to connect each linear track, or 6 units to connect two linear tracks to a singular angular (horizontal or vertical) connector.

Ordinare 3 staffe per unire due binari lineari. Ordinare 6 staffe per unire due binari lineari ad un profilo angolare (orizzontale o verticale).



1XR5.PT1.02 100cm

Plaster installation guard. Black color

Copertura in PVC per protezione del binario durante l'installazione su cartongesso. Colore nero

Surface | Pendant - *Plafone | Sospensione*

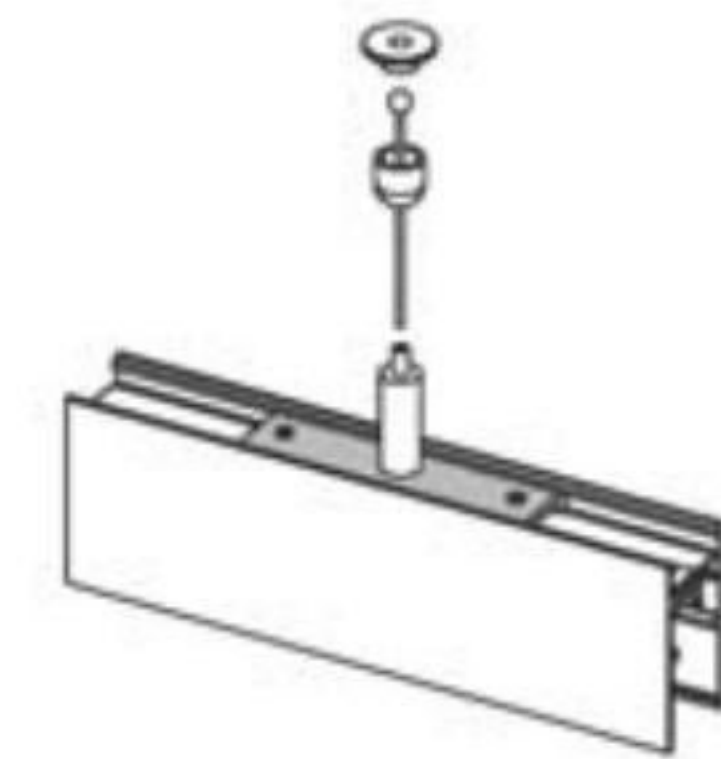


1XR2.100.02	100cm	Black - Nero
1XR2.100.06	100cm	White - Bianco
1XR2.200.02	200cm	Black - Nero
1XR2.200.06	200cm	White - Bianco
1XR2.300.02	300cm	Black - Nero
1XR2.300.06	300cm	White - Bianco



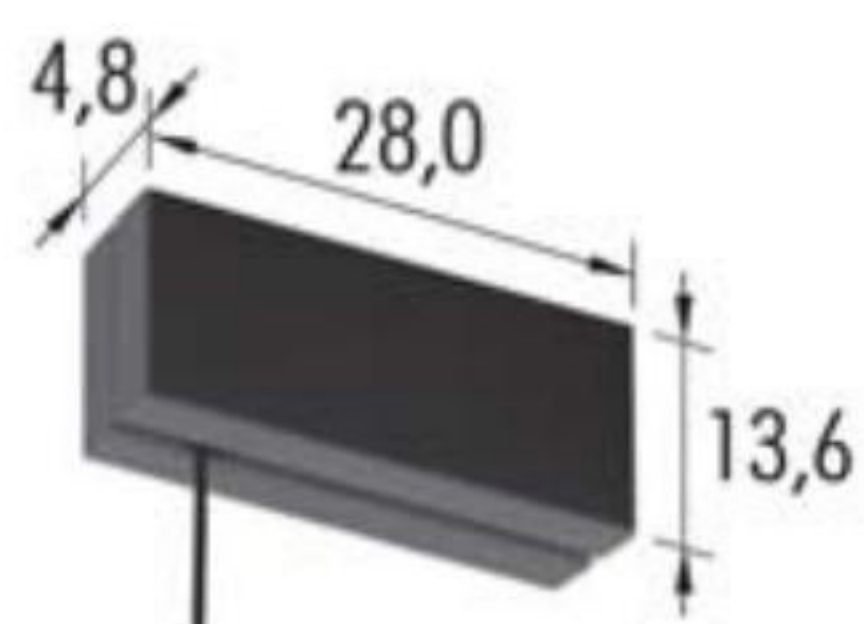
1XR2.GL1.01	150cm
1XR2.GL2.01	300cm
1XR2.GL3.01	500cm

Long bracket for pendant track with steel cable Ø 1,5 mm
Staffa per binario a sospensione con cavo in acciaio Ø 1,5mm



1XR2.GAH.02 Black - Nero
1XR2.GAH.06 White - Bianco

Non electrified corner for surface and pendant track
Angolare non elettrificato per binario a plafone e/o sospensione



Canopy - Rosone: On/Off 48V - 75W

3XR2.C01.02 Black - Nero
3XR2.C01.06 White - Bianco

Wire - Cavo elettrificato: 150cm

3XR2.C02.02 Black - Nero
3XR2.C02.06 White - Bianco

Wire - Cavo elettrificato: 300cm

3XR2.C03.02 Black - Nero
3XR2.C03.06 White - Bianco

Wire - Cavo elettrificato: 500cm



3XR2.C13.02 Black - Nero
3XR2.C13.06 White - Bianco

Canopy with no device on board. Black wire 300cm
 Place the device in remote position.

Rosone senza trasformatore. 300cm di cavo nero elettrificato.
 Posizionare il trasformatore in remoto.

Accessories for Recessed, Surface and Pendant 48V track system

Accessori comuni per binario 48V nelle versioni: incasso senza bordo, plafone e sospensione



1XR.TC1.02 Black - Nero
1XR.TC1.06 White - Bianco

End cup for track - *Tappo chiusura binario*



1XR.TF1.02 Black - Nero
1XR.TF1.06 White - Bianco

End cup with hole - *Tappo con foro per chiusura binario*



1XR.CE3.02 300cm. Black - Nero
1XR.CE3.06 300cm. White - Bianco

Aesthetic track cover - *Chiusura estetica binario*



1XR.CUT

Cutting tool for track conductors - *Cesoia per ridurre i conduttori*



1XR.TE1.02 Black - Nero
1XR.TE1.06 White - Bianco

Short end - Feed - *Testata di alimentazione ridotta*



1XR.GEC.02 Black - Nero
1XR.GEC.06 White - Bianco

Electrified jointing connector - *Giunto passante elettrificato*



1XR.GEA.02 Black - Nero
1XR.GEA.06 White - Bianco

Adjustable electrified corner - *Giunto elettrificato flessibile*



1XR.GMC.02 Black - Nero

Non electrified jointing connector - *Giunto passante non elettrificato*

X-Running

Pendant light made of aluminum structure with upward and downward light emission.

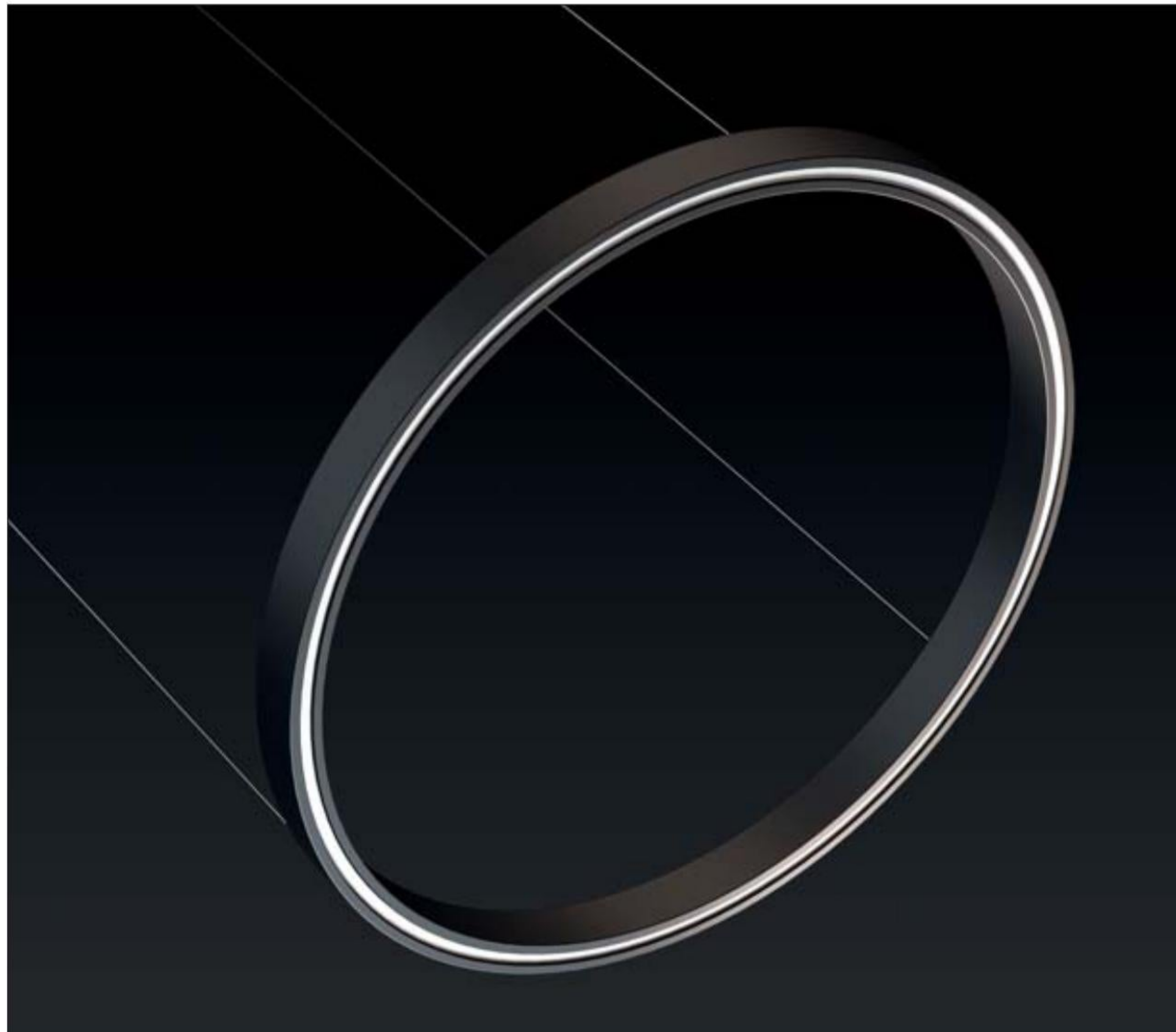
Available in two versions:

- CUP, in sizes Ø60, Ø80 and Ø120cm, dimmable with central canopy Ø33cm.
- in sizes Ø60, Ø80, Ø120, Ø180 and Ø230cm, on/off or dimmable with micro canopy Ø7,5cm and transformer to be placed in a remote position.

Articolo a sospensione con struttura in alluminio ed emissione della luce superiore ed inferiore.

Disponibile in due versioni:

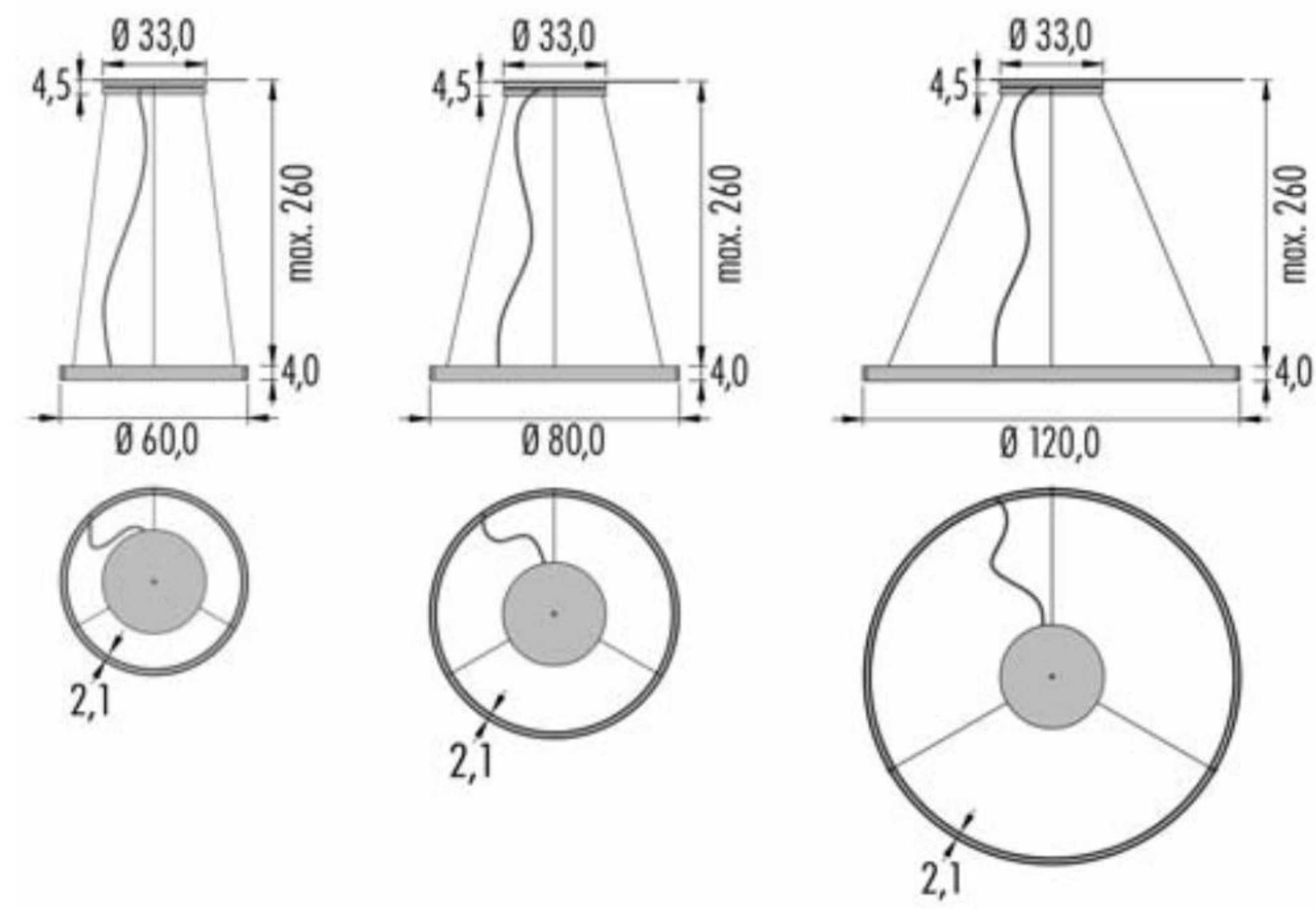
- *CUP, nelle misure Ø60, Ø80 e Ø120cm, dimmerabile con rosone centrale Ø33cm.*
- *nelle misure Ø60, Ø80, Ø120, Ø180 e Ø230cm, on/off oppure dimmerabile con micro rosone Ø7,5cm e trasformatore da posizionare in remoto.*





X-Running CUP

central external canopy - rosone esterno centrale



R06 Ø 60,0

IP40 ⓘ UGR<14 CE ⚡ ⚙

24V 88W CRI>90

3RC06.4 ■ L. □ DALI - Push - 1...10V

■ Led color	Nominal lm	Beam spread
2 = 2700K	6552	44°
3 = 3000K	7280	

R12 Ø 120,0

IP40 ⓘ UGR<14 CE ⚡ ⚙

24V 184W CRI>90

3RC12.4 ■ L. □ DALI - Push - 1...10V

■ Led color	Nominal lm	Beam spread
2 = 2700K	13752	44°
3 = 3000K	15280	

R08 Ø 80,0

IP40 ⓘ UGR<14 CE ⚡ ⚙

24V 126W CRI>90

3RC08.4 ■ L. □ DALI - Push - 1...10V

■ Led color	Nominal lm	Beam spread
2 = 2700K	9432	44°
3 = 3000K	10480	

□ Ring - Anello Canopy - Rosone Wire - Cavo

02 ● Black - Nero White - Bianco Black - Nero

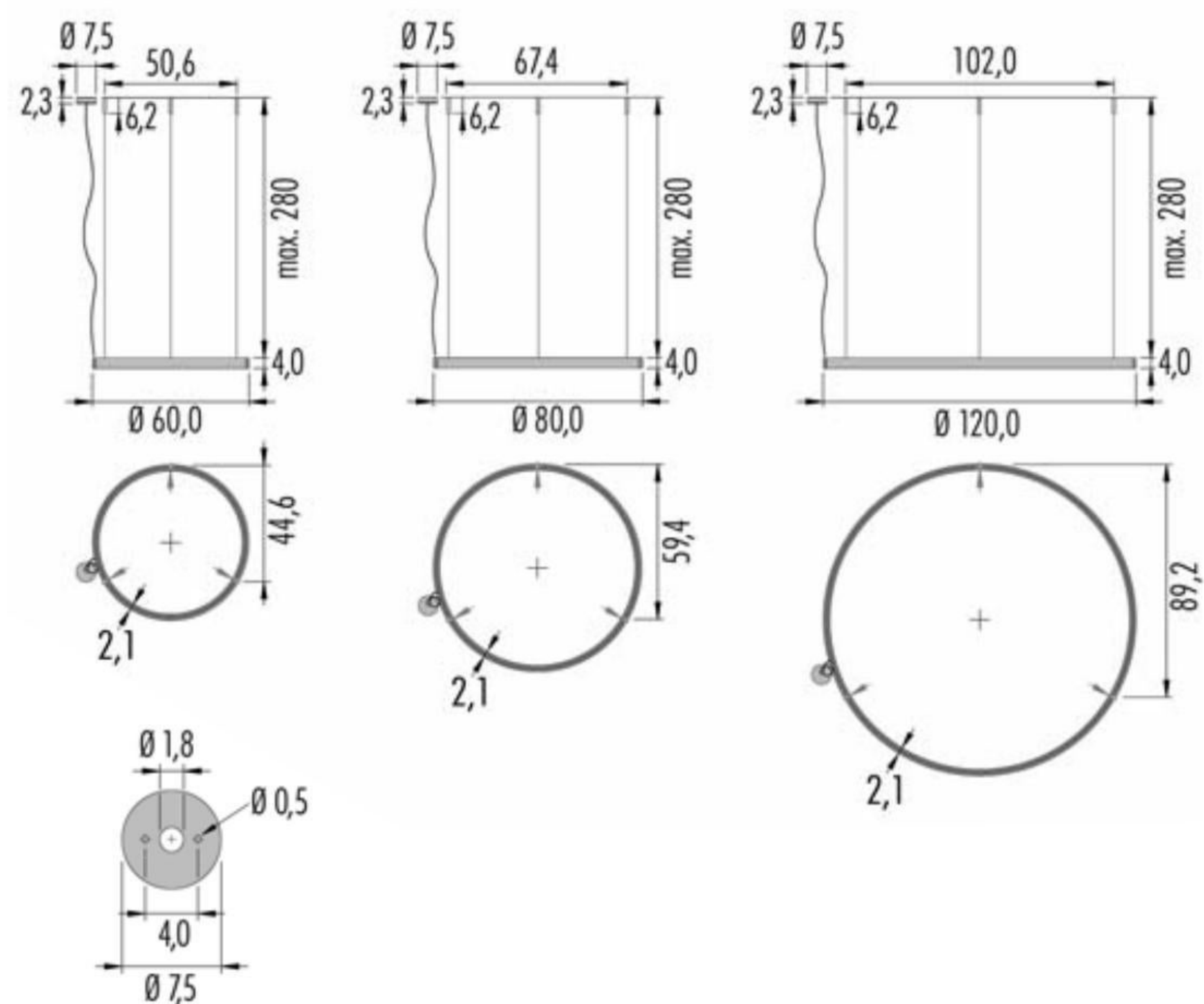
06 ○ White - Bianco White - Bianco Black - Nero



X - Running

micro external canopy: gear in remote position - micro rosone esterno: trasformatore in remoto





R06 Ø 60,0

IP40 ⓘ UGR<14 CE ▽ ⬡

24V 88W CRI>90

3R06.4 ■ L. □ on/off

■ Led color	Nominal lm	Beam spread
2 = 2700K	6552	44°
3 = 3000K	7280	

R12 Ø 120,0

IP40 ⓘ UGR<14 CE ▽ ⬡

24V 184W CRI>90

3R12.4 ■ L. □ on/off

■ Led color	Nominal lm	Beam spread
2 = 2700K	13752	44°
3 = 3000K	15280	

R08 Ø 80,0

IP40 ⓘ UGR<14 CE ▽ ⬡

24V 126W CRI>90

3R08.4 ■ L. □ on/off

■ Led color	Nominal lm	Beam spread
2 = 2700K	9432	44°
3 = 3000K	10480	

3KIT.E24.DIM

Dimmable option:
DALI - Push - 1...10V
Remote installation
Installazione remota

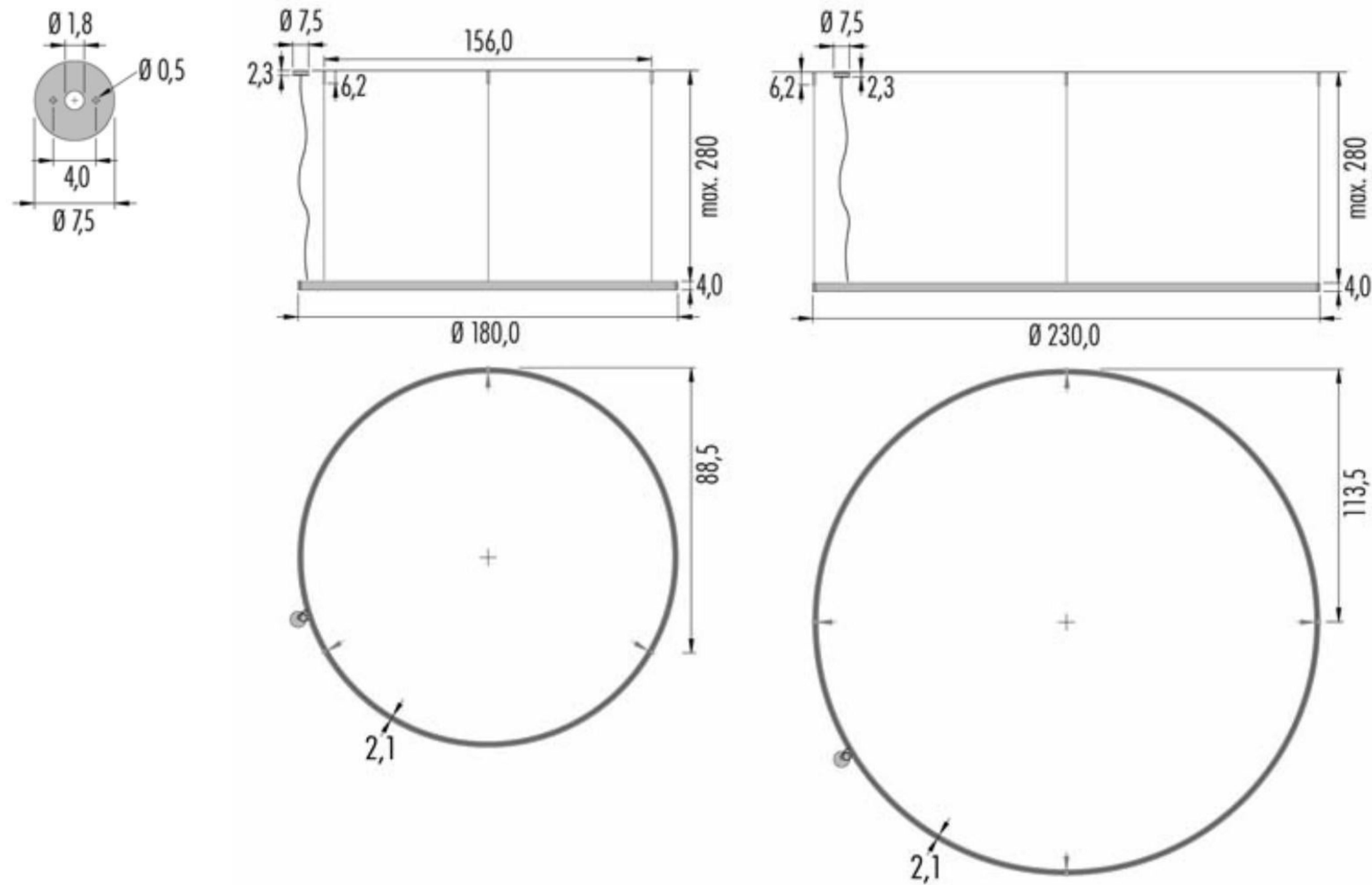
□ Ring - Anello Canopy - Rosone Wire - Cavo

02 ● Black - Nero Black - Nero Black - Nero
06 ○ White - Bianco White - Bianco Black - Nero



X - Running

micro external canopy: gear in remote position - micro rosone esterno: trasformatore in remoto



R18 Ø 180,0

IP40 ⓘ UGR<14 CE ▽ Ⓢ

24V 270W CRI>90

3R18.4 ■ L. □ on/off - 1...10V

Led color	Nominal lm	Beam spread
2 = 2700K	20232	44°
3 = 3000K	22480	

R23 Ø 230,0

IP40 ⓘ UGR<14 CE ▽ Ⓢ

24V 347W CRI>90

3R23.4 ■ L. □ on/off - 1...10V

Led color	Nominal lm	Beam spread
2 = 2700K	26028	44°
3 = 3000K	28920	

3KIT.D24.DIM

Dimmable option:
DALI - Push - 1...10V
Remote installation
Installazione remota

	Ring - Anello	Canopy - Rosone	Wire - Cavo
02 ●	Black - Nero	Black - Nero	Black - Nero
06 ○	White - Bianco	White - Bianco	Black - Nero

Vademecum

MC-E

MacAdams step:

é un parametro attraverso il quale si definisce il grado di decadimento del colore della luce di una sorgente led nel tempo.
Lo step 3 rappresenta ad oggi il livello di decadimento più basso.

it is a parameter which defines the deterioration degree of the colour of the light coming from a led source during its life.
Step 3 is nowadays the lower deterioration level.

es ist ein Parameter, der der Verschlechterungsgrad der Lichtfarbe eines Led Leuchtmittels während seines Lebens bestimmt.
Step 3 ist heutzutage das niedrigste Verschlechterungsniveau.

Est un paramètre avec le quel on définit le degré de détérioration de la couleur de la lumière d'une source led dans le temps.
Aujourd'hui le Step 3 est le niveau de détérioration le plus bas.

el es un parámetro que define el grado de deterioración del color de la luz de una fuente led en el tiempo. El step 3 representa hoy el nivel de deterioración más bajo.

CRI

Indice di resa cromatica di una sorgente luminosa, e misura di quanto naturali appaiano i colori degli oggetti da essa illuminati.

Colour Rendering Index of a light source and measure indicating how natural the colours of objects appear when enlightened from it.

Farbwiedergabeindex einer Lichtquelle und Maß, das, wie nach der Natur die Farben der Objekten sich herausstellen, wenn sie von dieser Lichtquelle beleuchtet sind, anzeigt.

Indice de rendu des couleurs d'une source lumineuse et mesure qui indique la pureté des couleurs des objets éclairés par cette source.

Indice de rendimiento lumínico de una fuente luminosa, y medida de lo natural del color de los objetos iluminados con dicha fuente.

lm

Il lumen è l'unità di misura del flusso luminoso di una sorgente luminosa.
Lumen is the unit of the light flux of a light source.

Lumen ist ein Maß der Strahlengang einer Lichtquelle.

Le lumen est l'unité de mesure du flux d'éclairage d'une source lumineuse.
El lumen es la unidad de medida del flujo luminoso de una fuente luminosa.

lx

Il lux è l'unità di misura per l'illuminamento di un'area piana.
Un lux è pari a un lumen fratto un metro quadrato.

Lux is the unit for the lighting of a flat area. One lux is equal to one lumen divided per one square meter.

Lux ist ein Maß für die Beleuchtung einer ebenen Oberfläche.
Ein lux ist gleich ein lumen geteilt durch einen quadratischen Meter.

Le lux est l'unité de mesure pour l'illumination d'une zone plane.
Un lux correspond à un lumen divisé par mètre carré.

El lux es la unidad de medida de iluminación de una superficie.
Un lux es equivalente a un lumen por metro cuadrado.



Classe I: Le componenti elettriche accessibili sono collegate ad un conduttore di terra.

Class I: Only basic insulation, accessible conductors are earthed. Earthing compulsory.

Klasse I: Grundisolation leitenden; berührbare Metallteile sind mit Schutzerdung verbunden. Schutzerdung vorgeschrieben.

Class I: Seulement isolation de base, les parties conductrices accessibles sont reliées à un conducteur terre.
Mise à la terre obligatoire.

Clase I: Sólo aislamiento fundamental; además, las partes conductoras accesibles están conectados a un conductor de tierra. Puesta a tierra indispensable.



Classe II: Messa a terra esclusa, sostituita da cavi elettrici con un isolamento rinforzato.

Class II: basic insulation plus second insulation or both are replaced by reinforced insulation. Earthing excluded

Klasse II: Entweder zu der Grundisolierung kommt noch eine zweite Isolierung hinzu oder ist eine verstrebt Isolierung vorgesehen.

Class II: Soit à l'isolation, soit ces deux dernières sont remplacées par une isolation renforcée.
Mise à la terre: excluse.

Clase II: Al aislamiento fundamental se añade un segundo aislamiento, o bien los dos aislamientos se reemplazan por un aislamiento reforzado.



Classe III: Alimentazione a bassa tensione, inferiore a 50V-50Hz.
Messa a terra non prevista.

Class III: Low tension inferior to 50V-50Hz. No ground cable.

Klasse III: Niedervolt < 50V-50 Hz, ohne Erdung

Class III: Alimentation de sécurité à basse tension.
Ne doit en aucun cas être utilisée pour des tensions supérieures à 50V-50Hz. mise à la terre.

Clase III: Alimentación de baja tensión, inferior a 50V-50Hz.
Toma de tierra no prevista.



Apparecchio con caratteristiche per il montaggio diretto su superfici normalmente infiammabili (EN 60 598/VDE 0711).

Device which can be mounted on flammable surfaces (EN 60 598/VDE 0711).

Aparato con características para el montaje directo sobre superficies normalmente inflamables (EN 60 598/VDE 0711).



Prodotto conforme alle direttive europee.

Products complying with the Eur. Comm. rules.

Produkt gemäß den EU-Normen.

Producido conforme a las directivas europeas.

IP identification

<p>Ⓒ <i>Driver incluso</i> <i>Driver included</i> <i>Treiber mitgeliefert</i> <i>Driver fourni</i> <i>Driver incluido</i></p>	<p>IP0X <i>nessuna protezione</i> <i>no protection</i> <i>kein Schutz</i> <i>non protégé</i> <i>sin protección</i></p>	<p>IPX0 <i>nessuna protezione</i> <i>no protection</i> <i>kein Schutz</i> <i>non protégé</i> <i>sin protección</i></p>
<p>Ⓒ <i>Driver non incluso</i> <i>Driver not included</i> <i>Treiber nicht mitgeliefert</i> <i>Driver non fourni</i> <i>Driver excluido</i></p>	<p>IP1X <i>protezione contro corpi estranei ≥ 50mm</i> <i>protection against solid objects ≥ 50mm</i> <i>Schutz gegen Fremdkörpern ≥ 50mm</i> <i>protection contre des corps étrangers ≥ 50mm</i> <i>protegido contra objetos extraños ≥ 50mm</i></p>	<p>IPX1 <i>protezione contro caduta acqua verticale</i> <i>protected against water drops falling vertically</i> <i>Schutz gegen Wassertropfen, die senkrecht herabfallen</i> <i>protégé contre les gouttes d'eau tombant verticalement</i> <i>protegido contra la caída de gotas de agua</i></p>
<p>Ⓕ <i>lampadina inclusa</i> <i>including bulb</i> <i>Leuchtmittel inklusiv</i> <i>ampoule comprise</i> <i>bombilla incluida</i></p>	<p>IP2X <i>protezione contro corpi estranei ≥ 12mm</i> <i>protection against solid objects ≥ 12mm</i> <i>Schutz gegen Fremdkörpern ≥ 12mm</i> <i>protection contre des corps étrangers ≥ 12mm</i> <i>protegido contra objetos extraños ≥ 12mm</i></p>	<p>IPX2 <i>protezione contro caduta di gocce oblique a 15°</i> <i>protected against water drops max inclination 15°</i> <i>Schutz gegen Wassertropfen, die senkrecht herabfallen Neigung 15°</i> <i>protégé contre les gouttes d'eau à inclinaison maximale de max 15°</i> <i>protegido contra la caída de gotas de agua con inclinación max 15°</i></p>
<p>Ⓓ <i>trasformatore incluso</i> <i>transformer included</i> <i>Trafo mitgeliefert</i> <i>transformateur fourni</i> <i>transformador incluido</i></p>	<p>IP3X <i>protezione contro corpi estranei ≥ 2,5mm</i> <i>protection against solid objects ≥ 2,5mm</i> <i>Schutz gegen Fremdkörpern ≥ 2,5mm</i> <i>protection contre des corps étrangers ≥ 2,5mm</i> <i>protegido contra objetos extraños ≥ 2,5mm</i></p>	<p>IPX3 <i>protezione contro caduta di gocce oblique a 60°</i> <i>protected against water drops max inclination 60°</i> <i>Schutz gegen Wassertropfen, die senkrecht herabfallen Neigung 60°</i> <i>protégé contre les gouttes d'eau à inclinaison de max 60°</i> <i>protegido contra la caída de gotas de agua con inclinación max 60°</i></p>
<p>Ⓕ <i>trasformatore non incluso</i> <i>transformer not included</i> <i>Trafo nicht mitgeliefert</i> <i>transformateur non fournie</i> <i>transformador excluido</i></p>	<p>IP4X <i>protezione contro corpi estranei ≥ 1mm</i> <i>protection against solid objects ≥ 1mm</i> <i>Schutz gegen Fremdkörpern ≥ 1mm</i> <i>protection contre des corps étrangers ≥ 1mm</i> <i>protegido contra objetos extraños ≥ 1mm</i></p>	<p>IPX4 <i>protezione contro spruzzi d'acqua</i> <i>protected against sprinkling water</i> <i>Spritzwassergeschützt</i> <i>protégé contre les éclaboussures</i> <i>aparato protegido contralas salpicaduras</i></p>
	<p>IP5X <i>protezione da polvere</i> <i>dust-protected</i> <i>Staubgeschützt</i> <i>protection contre la poussière</i> <i>aparato protegido contra el polvo</i></p>	<p>IPX5 <i>protezione contro getti d'acqua</i> <i>protected against water jets</i> <i>Wasserstrahlgeschützt</i> <i>protégé contre les gouttes d'eau</i> <i>aparato totalmente protegido contra los chorros de agua</i></p>
	<p>IP6X <i>stagno alla polvere</i> <i>dust-proof</i> <i>Staubdicht</i> <i>hermétique à la poussière</i> <i>aparato totalmente protegido contra el polvo</i></p>	<p>IPX6 <i>protezione contro inondazioni</i> <i>Protected against flooding</i> <i>Überschwemmunggeschützt</i> <i>rotected against flooding</i> <i>aparato totalmente protegido contra</i></p>
		<p>IPX7 <i>protezione per immersione temporanea</i> <i>protected against brief immersions</i> <i>gegen kurzen Tauchen geschützt</i> <i>hermétique à la immersion</i> <i>aparato totalmente protegido contra la sumersión</i></p>
		<p>IPX8 <i>protezione per immersione costante</i> <i>protected against long immersion</i> <i>Tauchengeschützt</i> <i>protégé pour des immersions prolongées</i> <i>aparato totalmente protegido contra la larga imersión</i></p>



CREDITS

<i>Graphic Concept</i>	Claudio Malvestio
<i>Images</i>	Mattia Coscione/Franco dell'Anna
<i>Printing</i>	Grafiche Gemma
<i>Copyright</i>	OTY s.r.l.
<i>Printed in Italy</i>	June - 2022

OTY SI RISERVA IL DIRITTO DI APPORTARE AL PROPRI MODELLI, SENZ'ALCUN PREAVVISO, QUALSIASI MODIFICA RITENESSE OPPORTUNA. TUTTI I MODELLI SONO DEPOSITATI.

OTY RESERVES THE RIGHT TO INTRODUCE ANY CHANGES TO ITS OWN MODELS, WITHOUT NOTICE IN ADVANCE. ALL MODELS HAVE BEEN DULY REGISTERED.

OTY BEHALT SICH DAS RECHT VOR ÄNDERUNGEN VORZUNEHMEN, OHNE SOFORTIGE BENCHRICHTIGUNG. ALLE MODELLE SIND EINGETRAGEN.

OTY SE RÉSERVE LE DROIT D'APPORTER UNE QUELCONQUE MODIFICATION À LES MODÈLES SANS PRÉAVIS. TOUS NOUS MODELES SONT DÉPOSÉS.

OTY SE RESERVA EL DERECHO DE REALIZAR CUALQUIER MODIFICACIÓN SOBRE SUS MODELOS SIN PREVIO AVISO. TODOS LOS MODELOS HAN SIDO DEPOSITADOS.

Oty s.r.l.
via Spangaro 8/a
30030 Peseggia di Scorzé
(Venezia) Italy

www.otylight.com
e-mail: info@otylight.com
t. +39 (0)41 5830499
f. +39 (0)41 5830520

